

KOBELT

HRP05/HRP11/HRP17 Accu-Steer Hydraulic Reversing Pump-Set

*Owner's Operation, Installation &
Maintenance Manual*



Kobel Manufacturing Co. Ltd.

TABLE OF CONTENTS

1	Introduction	4
1.1	Contact	4
1.2	Safety	4
2	Product Description	6
2.1	Technical Data	6
3	Operation	8
4	Installation	10
4.1	Mechanical	10
4.2	Hydraulic.....	10
4.3	Electrical	12
5	Commissioning	17
5.1	Hydraulic Fill & Bleed	17
5.2	Electrical Check	17
5.3	Functional Test	17
5.4	Overload Adjustment.....	18
6	Maintenance	20
6.1	Preventative Maintenance.....	20
6.2	Recommended Spare Parts.....	20
7	Troubleshooting	21
8	Warranty	22
9	Appendix A: Installation Dimensions.....	23
10	Appendix B: Pump Parts List	24
11	Appendix C: Manifold Assembly Parts	26
12	Appendix D: Typical System Arrangement.....	28
13	Appendix E: Shaft Seal Replacement	29
14	Manual Revisions	30

1 INTRODUCTION

1.1 CONTACT

Kobel Manufacturing Co. Ltd.

8238 129th Street
Surrey, British Columbia
Canada, V3W 0A6

Sales Tel: +1-604-572-3935

Fax: +1-604-590-8313

Email: sales@kobelt.com

Website: www.kobelt.com




This document is intended to clearly present comprehensive product data and provide technical information to assist the end user in design applications. Kobelt reserves the right, without notice, to change the design, or construction, of any products and to discontinue or limit distribution of any products. Kobelt also reserves the right to change, or update, without notice, any technical information contained within this document.

Kobel recommends that customers visit our website to check for updates to this Manual. Once a product has been selected for use, it should be tested by the user to ensure proper function in all possible applications. For further instructions, please contact our distributors or visit our website.

1.2 SAFETY

1.2.1 Safety Alerts

Throughout this manual, the following symbols, and their accompanying explanation, are used to alert the user to special instructions concerning a service or operation that may be hazardous if performed incorrectly or carelessly. The associated risk levels are stated below.

 DANGER	This symbol indicates an imminently hazardous situation which, if not avoided, will result in death or serious injury.
 WARNING	This symbol indicates a potentially hazardous situation which, if not avoided, could result in death or serious injury.
 CAUTION	This symbol indicates a hazardous situation, which if not avoided, could result in minor or moderate injury.
NOTICE	This symbol informs the reader of events not related to personal injury but which there is a risk of damage to property or equipment.
SAFETY INSTRUCTIONS	This symbol informs the reader of safety-related instructions or procedures.

1.2.2 Notice to Installer

Disregarding the following safety measures can result in an accident causing severe injury to personnel and damage to material assets.

- Only use the product as directed in this manual.
- Never put the product into service if there is evidence of visible damage.
- Never put the product into service before fully completing installation and commissioning.
- Do not carry out any modifications to the product.
- Only use authentic Kobelt spare parts.
- Observe all local regulations, directives, and laws during the installation of this product.
- All installation, commissioning, and maintenance work must only be conducted by qualified personnel. (For the purpose of this manual, qualified personnel are persons who are familiar with the assembly, installation, commissioning, and operation of the product and who have the qualifications necessary for their occupation.)
- Observe all specifications in this manual. If these guidelines are not followed and damage occurs, the warranty will be voided.

1.2.3 Product Hazards



High Pressure Operation: This HRP unit generates high pressure hydraulics. Ensure all power sources are locked out prior to performing work.



Equipment Starts Automatically: HRP units are controlled remotely and may activate suddenly causing bodily harm. Ensure all power sources are locked out prior to performing work.



Disconnect Power: Turn off power at distribution panel before beginning installation to protect installer from electrical hazards.



Voltage and Current Compatibility: Confirm that the power source is compatible with the maximum voltage and current ratings of its product variant. Failure to do so could result in damage or fire.

2 PRODUCT DESCRIPTION

The HRP05, HRP11, and HRP17 are complete pump assemblies each consisting of a reversing gerotor gear pump, hydraulic lock valves, suction, make-up check valves, a valve housing manifold, and an electric permanent magnet motor.

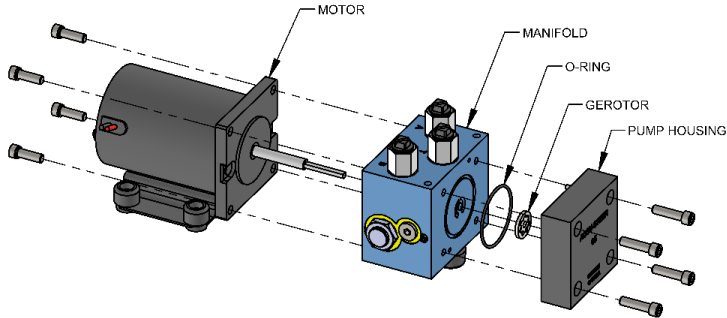


Figure 1: HRP Overview Diagram

2.1 TECHNICAL DATA

Table 1: HRP05/HRP11/HRP17 Technical Data

MODEL	HRP05-12	HRP05-24	HRP11-12	HRP11-24	HRP17-12	HRP17-24
KOBELT PART #	600-071	600-072	600-081	600-082	600-091	600-092
NOMINAL VOLTAGE	12 VDC	24 VDC	12 VDC	24 VDC	12 VDC	24 VDC
NO LOAD CONT. CURRENT	5A	3 A	6 A	3 A	6 A	4 A
HARDOVER CURRENT ¹	19 A	11 A	22 A	12 A	26 A	19 A
RECOMMENDED OVERLOAD PROTECTION ²	8.5 A	4.7 A	10.0 A	5.2 A	11.0 A	6.5 A
OUTPUT FLOW RATE	0.5 in ³ /sec [8 cc/sec]		1.0 in ³ /sec [16 cc/sec]		1.6 in ³ /sec [26 cc/sec]	
MAX ALLOWABLE PRESSURE	<ul style="list-style-type: none"> • A & B PORTS 1000 PSI [70 bar] • T PORT 50 PSI [3.4 bar] 					
CYLINDER CAPACITY	5 - 9 in ³ [82 - 147 cc]		10 - 16 in ³ [164 - 262 cc]		16 - 30 in ³ [262 - 492 cc]	
INTERMITTENT SERVICE DUTY AT HARD OVER	23%	26%	18%	23%	14%	10%
RECOMMENDED FLUID	ISO VG 32, VI 60 Hydraulic Oil					
PORT SIZE AT MANIFOLD BODY	-06 SAE ORB					
PORT ADAPTERS	-06 SAE ORB TO 1/4" NPT					
AMBIENT OPERATING TEMPERATURE	14°F to 122°F [-10°C to 50°C]					

PRODUCT WEIGHT	10 lbs [4.5 kg]
MOTOR WIRE LEADS	14 AWG: 5 feet [1.5 m]
MOTOR APPROVALS	Ignition Protected: UL-1500, SAE-1171

1. Typical motor current at maximum output pressure.
2. Recommended thermal overload current setting to prevent dangerous over heating. Thermal overloads must be wired in series with a fuse or circuit breaker for short circuit protection. Circuit breakers must be sized per overload manufacturer recommendations and expected hard over current.

2.1.1 Cylinder Compatibility

The HRP05/11/17 works with both balanced and unbalanced cylinders. When unbalanced cylinders are used it is recommended that a vented header tank is used to allow for the expansion and contraction from the unbalanced cylinder.

2.1.2 Duty Cycle

The HRP pump-sets are designed as an intermittently operated unit for normal steering applications. High demand applications will over work the motor and cause over heating. Recommended duty cycles for each HRP are given in Table 1.

2.1.3 Temperature Limits

The motor temperature has a maximum limit of 248°F [120°C]. Allowing the temperature to exceed this limit will permanently damage the motor windings. The maximum oil temperature limit is 149°F [65°C].

Observe the ambient operating temperature range of Table 1. Do not operate the unit if the ambient temperature where the unit is located exceeds this limit.

2.1.4 Pressure Range

The normal operating pressure of the unit is 0 to 500 psi. Avoid operating the unit against the rudder stops for prolonged periods of time.

2.1.5 Recommended overload tripping

It is recommended for overloads used to protect HRP electric motors to trip within 60-120s when the HRP is in a hard over condition.

3 OPERATION

The Kobelt HRP Hydraulic Reversing Pump-sets are designed to interface a hydraulic steering system with electric or autopilot control. The output flow rate of the pump-set determines the actuation speed of the steering cylinder.

The HRP (Hydraulic Reversing Pump-set) operates as follows (reference numbers below refer to Figure 2):

- As the motor (1) rotates CCW, oil from the gear pump (2) is pumped towards output "A".
- This oil passes through the check valve (5) and goes to the output line (7).
- The pressure at output "A" ensures the check valve (3) stays closed and manually opens check valve (6).
- Opening check valve (6) allows the returning oil from the steering cylinder to flow back to the pump.
- If the pressure at the pump suction "B" is less than the pressure in the make-up line, oil from the make-up line will pass by the check valve (4). This prevents cavitation due to any air that may be in the steering line.
- When the pump stops turning all spring-loaded check valves return to the normally closed position.
- When the motor (1) rotates (CW) the reverse movement of the oil and valves takes place.

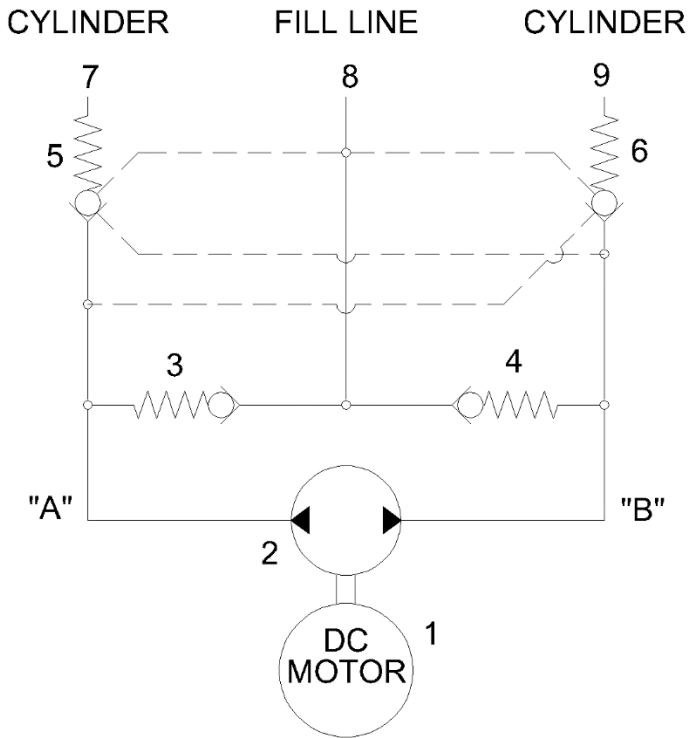


Figure 2: Internal Hydraulic Schematic

4 INSTALLATION

4.1 MECHANICAL

Ideally, the location of the pump-set should satisfy the following conditions:

- Within 6 feet [1.8 m] of the steering cylinder.
- Below the steering cylinder for ease of connections and bleeding.
- Placed on a horizontal shelf or bracket.
- Not exposed to direct sunlight or any source of heat.
- Provide a foundation sturdy enough to prevent the transmission of excessive vibrations.

The HRP is equipped with (4) four clearance holes for #10 (M5) bolts through the mounting feet. Ensure that the unit is securely fastened to a suitable foundation.

4.2 HYDRAULIC

The HRP pump-sets are equipped with a fitting with a 1/4" NPT port that are plugged for shipping.

NOTICE

Ensure the plugs remain in place until the unit is ready for connection.

NOTICE

All piping and hoses must be flushed prior to connection. Failure to do so can result in damaged components and seals.

The three hydraulic ports on the valve block are fitted with 1/4" NPT (National Pipe Thread) adapters. If preferred, the adapters can be removed, and connections can be made directly to the valve blocks -06 SAE ORB ports. When installing the hydraulic fitting in the 1/4" NPT port a pipe thread sealant such as Teflon paste must be used.

NOTICE

All hoses and piping must also be plugged or capped until ready for connection.

The piping to the steering cylinder should be 3/8" nominal size and no less than 1/4" with a suitable wall thickness to safely withstand the operating pressure. The Port and Starboard steering lines should have a pressure rating of 1000 psi minimum. Secure the piping against vibration with pipe clamps spaced every 3 feet [1 m].

The connections to the pump-set must be made by hoses of suitable rating to accommodate any movements, vibration, or thermal strain. Hoses are also required to prevent any pump noise from being transmitted to the steering system.

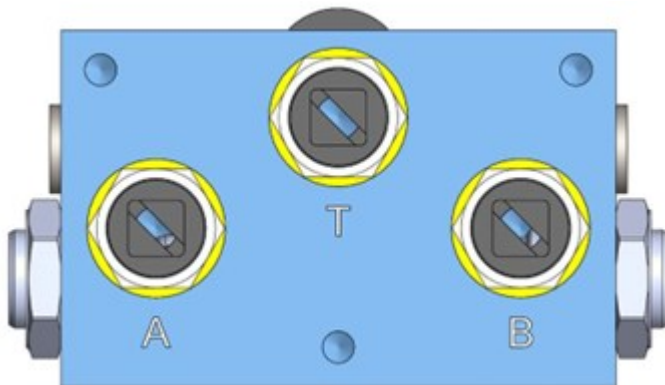


Figure 3: Connections in Top Face of Hydraulic Manifold

Three hydraulic connections are required to the pump-set:

- Connect ports 'A' & 'B' to the steering cylinder ports. It is not critical to identify which of the steering lines is Port or Starboard as most new autopilots will determine the pump direction and program the drive outputs to suit.
- Connect the 'T' port to the header tank or helm pump case. This third line is critical, as it provides make up oil and allows the pump-set to vent any air, which may enter the pump-set from the steering lines.

Shut-off or isolation valves for all three lines are recommended. If the pump-set fails, the isolation valves can be shut off and manual steering maintained.

If more than one helm pump is used, a return/fill line must be installed to connect the cases of all the helm pumps together.

With steering systems where the fill/interconnect line is pressurized (e.g. - Hynautics or Teleflex) the recommended operating pressure is approximately 20 to 25 psi. The plumbing is connected as noted by the port names on the top of the unit shown in Figure 3.

NOTICE

The shaft seal on the HRP pump-sets is rated to 50 psi. Exceeding this pressure will cause a shaft seal failure and void the warranty.

NOTICE

Do not connect the output lines (Cylinder) to the tank (T) port. Failure to observe this caution will cause a shaft seal failure and void the warranty.

4.3 ELECTRICAL

The motor has two 5 feet [1.5 m] long 14 AWG wire leads (1 Red and 1 Black). Connect them to an autopilot pump driver junction box or electrical steering interface.

The minimum arrangement required to electrically operate the HRP is shown in Figure 4. This consists of a main contactor and thermal overload at “C1” and “OL1” respectively to provide the connection to the vessels main power supply. A secondary reversing contactor is required to reverse the polarity of the motor to provide bi-directional fluid flow. The input leads to the control circuit can be connected to an autopilot system as described in 4.3.1 or a jog style control as described in 4.3.2.

The overload should be sized to trip the HRP when it is dwelling in hard over within 60-120s. Suggested overload settings are given in Table 1 for each of the HRPs given in the manual.

A circuit breaker, shown as “CB1” in Figure 4, is also required on the main power lead. This circuit breaker protects the equipment in the event of a short circuit, as the thermal overload will typically have a time delay before isolating the circuit. Sizing of the circuit breaker should be done as recommended by the thermal overload manufacturer to prevent damage to the overload during a large overcurrent condition. The circuit breaker must be sized so it’s fast acting portion (Magnetic trip curve) will protect the overload in the event of a short circuit or severe overcurrent. Heed must be given though to the maximum hard over current specified in Table 1, circuit breakers should be sized so the fast trip is above this value.

It is recommended that protection diodes be applied across the relay coils if they are not integrated into the relays selected for this application.

Ensure that electrical cable used is sized property to prevent excessive voltage drop. Refer to your local marine standards or other local governing wiring codes for guidance.

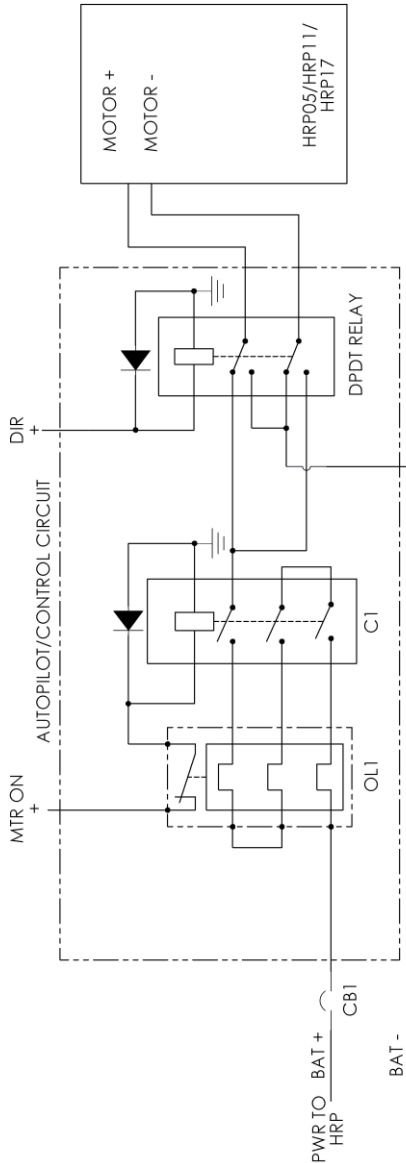


Figure 4: HRP Basic recommended wiring schematic

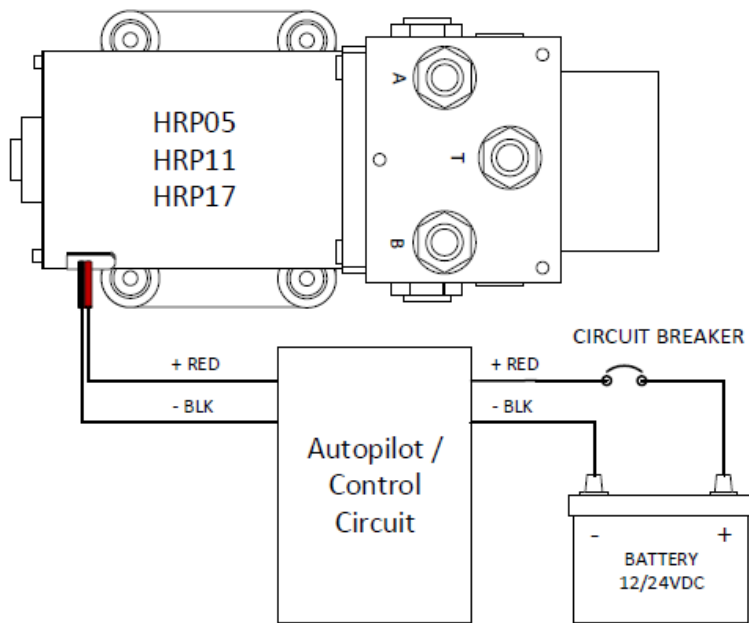


Figure 5: HRP05/11/17 Wiring Diagram

4.3.1 Autopilot Connection

The HRP can be directly connected to autopilots that support the current required of the HRP motor. The voltage supported is either 12VDC or 24VDC respective of the model variant being installed.

Example autopilot wiring diagrams are provided for reference below in Figure 6 thru Figure 8.

NOTICE

Remember to always follow the installation guidelines as provided by your autopilot manufacturers' manual.

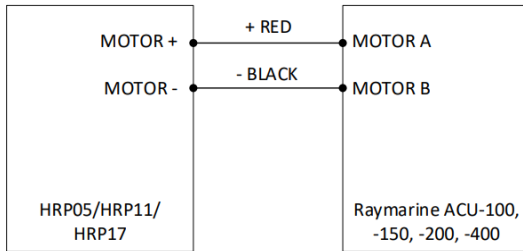


Figure 6: Example Autopilot Connection - Raymarine ACU-100, -150, -200, -400

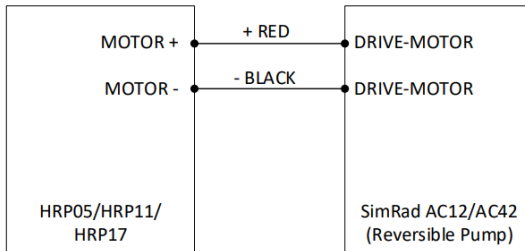


Figure 7: Example Autopilot Connection - SimRad AC12/AC42

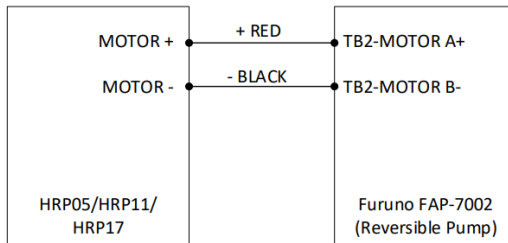


Figure 8: Example Autopilot Connection - Furuno FAP-7002

4.3.2 Jog Lever Connection

Alternatively, the HRP can be controlled from a Jog Lever, such as the Kobelt 7170. The control voltages supported depend on the power relays selected and HRP variant used. A sample configuration for wiring of an HRP and Kobelt 7170 Jog Lever is shown in Figure 9.

NOTICE

It is recommended that any design and implementation of such a system be performed by a Certified Marine Installer, Kobelt Distributor, or individual with appropriate training and knowledge.

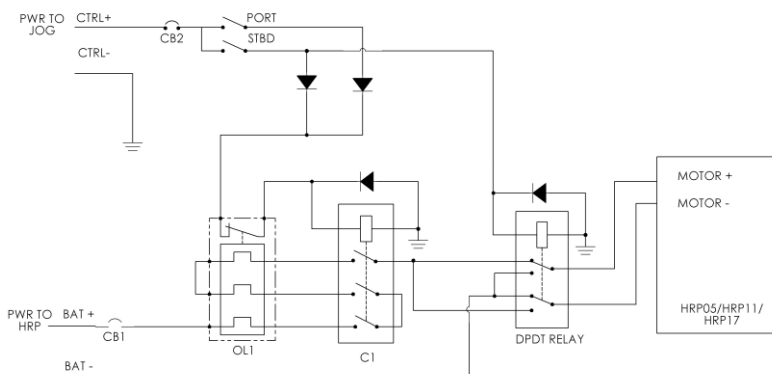


Figure 9: HRP Jog Lever Control Wiring Diagram

Power supply to the Jog should be protected with appropriate circuit breakers as per local codes. If only a single battery power source is available, then they can be tied together at the supply source.

Diodes are required to isolate control signals to the power control relay.

5 COMMISSIONING

5.1 HYDRAULIC FILL & BLEED

- Open all valves, if installed, after the hydraulic connections have been made.
- Fill the steering system with an anti-wear petroleum-based fluid appropriate for the service conditions as recommended.
- Allow sufficient time for the pump and lines to fill with oil.

5.2 ELECTRICAL CHECK

- Confirm that the electrical connections to the Autopilot have been made.
- Confirm that an overload has been installed correctly and is turned ON. Initial sizing should be done per Table 1. See section 5.4 for adjusting the overload trip point.

5.3 FUNCTIONAL TEST



The Function Test should be carried out while the vessel is still at dock and before it is taken out to sea after installation has been completed.

After installation and filling perform the following function tests:

1. Power ON the autopilot (or electronic jog lever).
2. Active the autopilot (or electronic jog lever) to command motion.
3. Verify that the rudder position changed.
4. Set the autopilot to the manual mode and operate the pump-set to determine if the Port and Starboard directions are correct.
5. If the rudder goes the opposite way than expected.
 - a. Reverse the two electrical leads between the motor and the autopilot.

NOTICE

Most new autopilot systems will perform this test during their dockside set-up procedures.

6. Operate the pump-set and note the "hard-over" to "hard-over" (HO to HO) time.
7. Verify that it is in the range of 10 to 16 seconds. Times outside of this range indicate a mismatched pump-set for the steering system.
8. Confirm the unit develops rated pressure during operation.

5.4 OVERLOAD ADJUSTMENT

Kobelt recommends using an adjustable style thermal overload to protect the HRP electrical motor. The hard over current on every HRP varies within a certain range. Using an adjustable style thermal overload allows for fine tuning the trip points. This helps to ensure false trips are not experienced while keeping the motor fully protected from overheating.

The following steps are recommended to size and adjust the thermal overload on an HRP05/11/17:



The overload adjustment should be carried out while the vessel is still at dock and before it is taken out to sea after installation has been completed.

1. Read all steps below in the adjustment procedure before starting.
2. Observe the recommended thermal overload setting given in section 2.1 Table 1, and set the thermal overload, OL1 in Figure 4, to this value.
3. Ensure all electrical devices have been sized and wired as given in section 4.3.
4. [Optional] If available, connect and monitor an ammeter on the motor power supply lead for this procedure.
5. Start the HRP running the steering cylinder until it has reached a 'hard-over' condition.
6. Immediately upon reaching 'hard-over', start a timer and leave the HRP running.
7. When the overload trips, record the trip time.
8. If the overload does not trip before the upper range of the recommended trip time given in section 2.1.5, turn the HRP off.
9. Refer to Figure 10 for interpreting and acting on test results. Ensure the motor cools down to the touch before running subsequent tests.

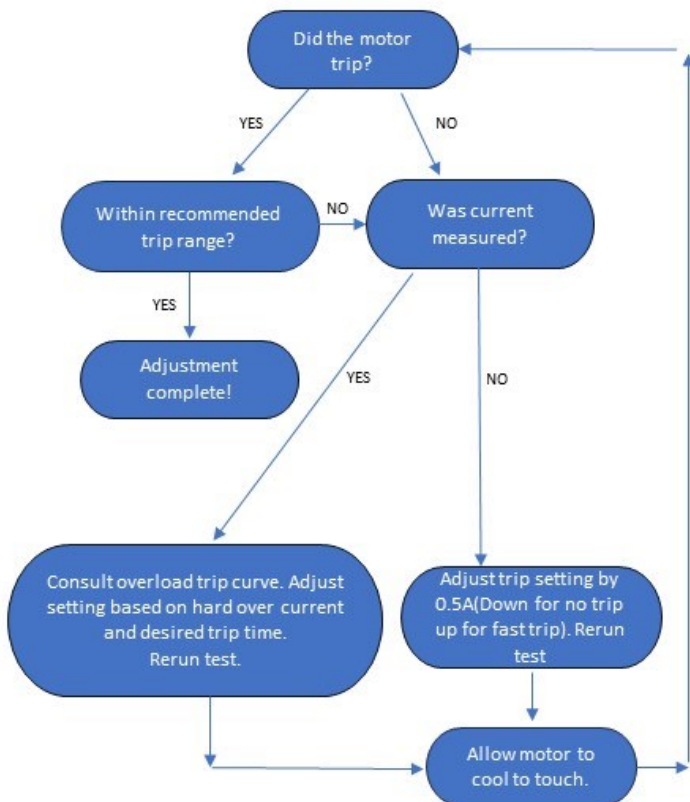


Figure 10: Overload adjustment evaluation

6 MAINTENANCE

6.1 PREVENTATIVE MAINTENANCE

- Monthly (12 times per year)
 - Inspect connections for leaks.
- Quarterly (4 times per year)
 - Verify adequate oil level.
 - Inspect the motor brushes.
 - Visually inspect wire and cable insulation for splits or damage.
- Every two years
 - Sample and analyze the oil in the steering lines.
 - Drain reservoir and clean out.
 - Verify pump develops rated pressure.
 - Verify insulation integrity of motor windings.

6.2 RECOMMENDED SPARE PARTS

As a minimum Kobelt recommends the following spare parts are on-hand:

Table 2: Recommended Spares

RECOMMENDED SPARES		
QTY	ITEM	KOBELT PART #
1	HRP05/HRP11/HRP17 REPAIR KIT (12 VDC/24 VDC)	600-071-RK

** Repair kit contains O-ring, shaft seal.*

			Part No.:	600-071-RK
ITEM	QTY	DESCRIPTION		
1	1	O-RING, 1-7/8 X 1-3/4 X 1/16 NBR	1101-0031	
2	1	SHAFT SEAL 5/16 ID X 3/4 OD X 1/4	1102-9115	

*** Brushes removed from service kit, motor is non-serviceable item and entire motor must be replaced.*

When purchasing spare parts refer to Appendix B: Pump Parts List at the back of this manual for Kobelt component Part Numbers. See instructions at the end of this manual for shaft seal and motor brush replacement.

NOTICE

It is recommended that any required service work on an Accu-Steer unit be performed by a factory authorized service representative. Please contact the nearest Kobelt authorized distributor for assistance.

7 TROUBLESHOOTING

If you encounter problems with the operation of your product, please refer to the troubleshooting suggestions before contacting Kobelt for assistance. If the steps below do not resolve your issue, please reach out either Kobelt directly or our Dealers in your area.

Table 3: Common Solutions

Problem (Issue encountered)	Cause (What it means)	Corrective Action (What to do)
HRP does not turn ON	No power to unit.	<ol style="list-style-type: none"> 1. Check that the breaker is ON and has not tripped. 2. Check that power is being output by the Autopilot. 3. Use a Mutli-meter to confirm if power is present between the motor leads when the Autopilot is commanding motion.
Wheel feels soft	Air present in Hydraulic System	<ol style="list-style-type: none"> 1. Bleed hydraulic system to remove trapped air. 2. Check for proper operation.
HRP turns in opposite direction then expected	Motor connection leads are backwards, OR the autopilot is expecting the reversed wiring configuration.	<ol style="list-style-type: none"> 1. Shut off power to the unit. 2. Disconnect the Red and Black wire leads. 3. Swap the lead connections and re-connect. 4. Check for proper operating direction.

8 WARRANTY

Kobelt Manufacturing Co. Ltd. ("Kobelt") warrants the Products and Parts manufactured by Kobelt to be free from defects in workmanship or material and that said products are designed mechanically and functionally to perform to specifications.

This warranty is effective providing:

- The equipment is used within the intended operating conditions and in accordance with Kobelt recommendations
- The equipment is installed according to equipment diagrams, specifications, and recommendations which Kobelt has provided

This warranty becomes invalid if the factory supplied serial number has been removed or altered on the product. This warranty does not cover cosmetic damage or damage caused by an act of God, accident, misuse, abuse, negligence, or modification of any part of the product. This warranty does not cover damage due to improper operation or maintenance, connection to inappropriate equipment or attempted repair by anyone other than an authorized Kobelt representative.

Upon identification of a potential issue or defect with a Kobelt Product or Part, the Warranty Applicant ("Applicant") must immediately contact Kobelt and describe the issue in writing, by letter, fax, email, or other electronic conveyance. Kobelt will then assess the cause of the defect and determine warranty applicability and appropriate remediation.

If any part is found to be defective, Kobelt will replace said part FOB the Kobelt factory provided that any such defective part is returned by the Buyer with freight and applicable forwarding charges prepaid by the Buyer. Kobelt's sole obligation to the Applicant will be to repair or replace the defective part with same or similar product, to a maximum value of the list price of the product or part. The Kobelt warranty does not cover labour charges, travel or any other associated expenses.

All Products and Parts manufactured by Kobelt, are subject to a warranty against manufacturer's defects in materials or workmanship for a period of two (2) years from the date of purchase.

Kobelt will be responsible for all Products or Parts sold by Kobelt but manufactured by 3rd party manufacturing companies. However, these products and parts are subject to applicable 3rd party warranties and may not be the same as the Kobelt warranty.

9 APPENDIX A: INSTALLATION DIMENSIONS

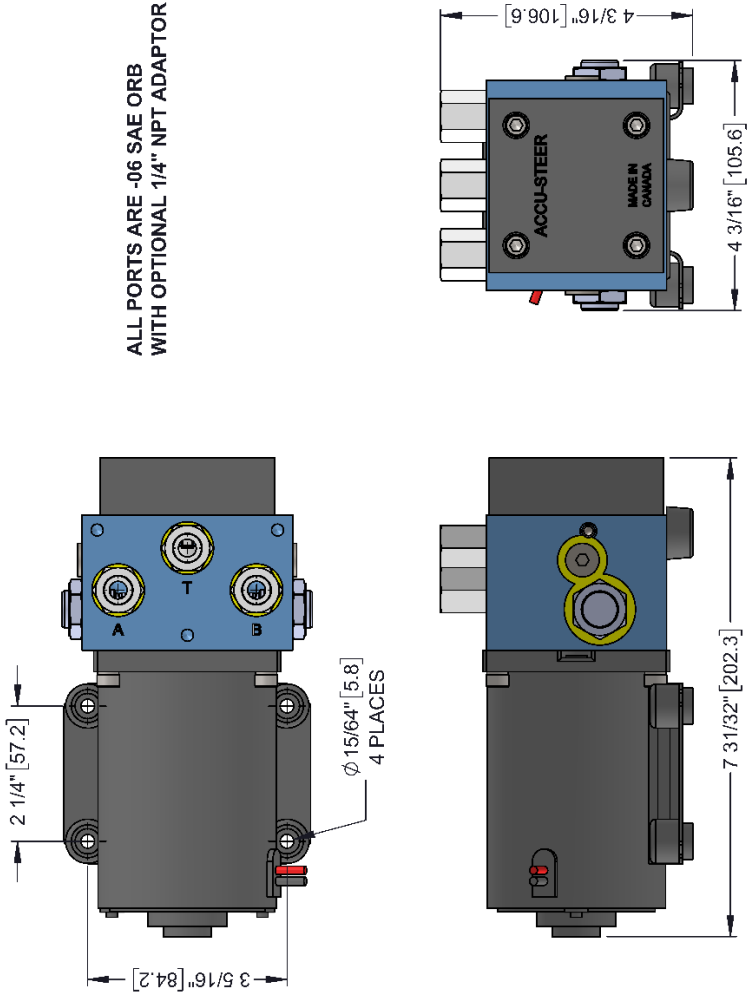


Figure 11: HRP05/HRP11/HRP17 Installation Dimensions

10 APPENDIX B: PUMP PARTS LIST

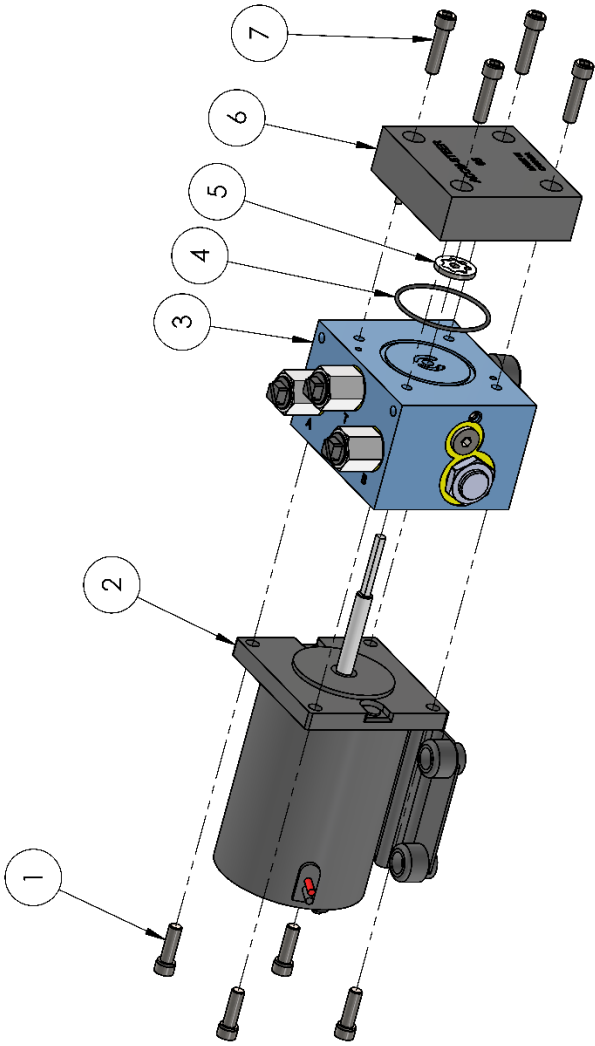
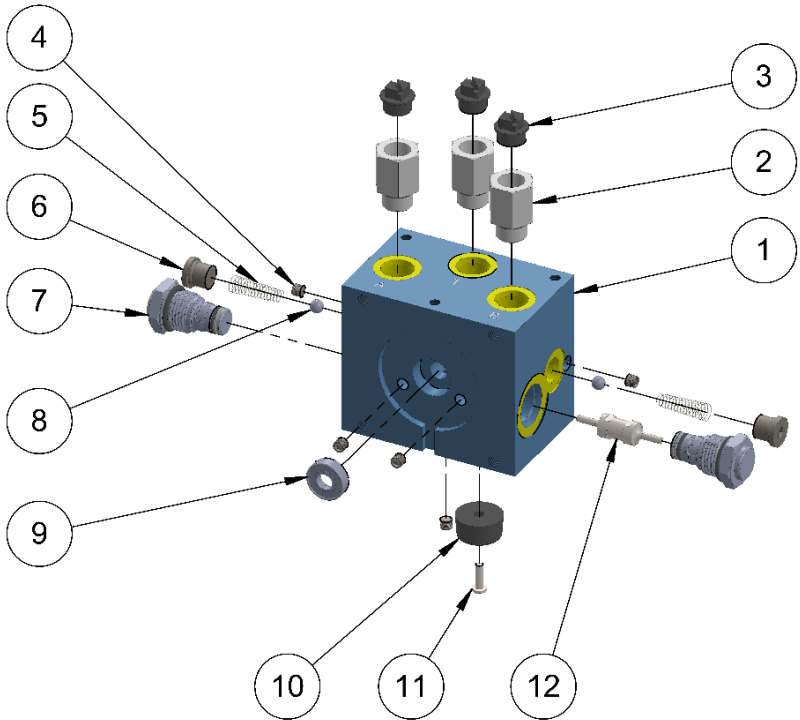


Figure 12: HRP05/HRP11/HRP17 Parts Diagram

Table 4: HRP05/11/17 Parts list

Model No.:		HRP05- 12	HRP05- 24	HRP11- 12	HRP11- 24	HRP17- 12	HRP17- 24
Part No.:		600-071	600-072	600-081	600-082	600-091	600-092
ITEM	DESCRIPTION						
1	SCREW	1002-1012-2					
2	MOTOR	7070-0010	7070-0011	7070-0010	7070-0011	7070-0010	7070-0011
3	MANIFOLD	502-005					
4	REPAIR KIT	600-071-RK					
5	GEROTOR	7250-0001		7250-0002		7250-0003	
6	PUMP HOUSING	502-010		502-011		502-012	
7	SCREW	1002-1016					

11 APPENDIX C: MANIFOLD ASSEMBLY PARTS



NOTES:

1. TIGHTENING TORQUE:
ITEM 7: 25-30 ft lbs (34-41 Nm)

Figure 13: 502-005 Manifold Parts Diagram

Table 5: HRP 502-005 Manifold Parts Table

			Part No.:
			502-005
ITEM	QTY	DESCRIPTION	
1	1	HRP 05/11/17 MANIFOLD BODY	7001-0033
2	3	FITTING, -06 ORB M x 1/4 NPT F	7039-0141
3	3	PLASTIC PLUG, 1/4 NPT	7039-3042
4	5	EXPANSION PLUG CV173-218S	7039-3054
5	2	SPRING	1201-0261
6	2	PLUG, HEX SKT, -04 ORB, PLATED STEEL	7039-0661
7	2	CHECK VALVE	7049-0017
8	2	BALL CHECK	1301-0108
9	1	REPAIR KIT	600-071-RK
10	1	RUBBER FOOT	7056-0052
11	1	SCREW, PAN HD, PHIL, #6-32 x 1/2, 18-8	1012-0608
12	1	HRP LOCKVALVE SPOOL	7006-0002

12 APPENDIX D: TYPICAL SYSTEM ARRANGEMENT

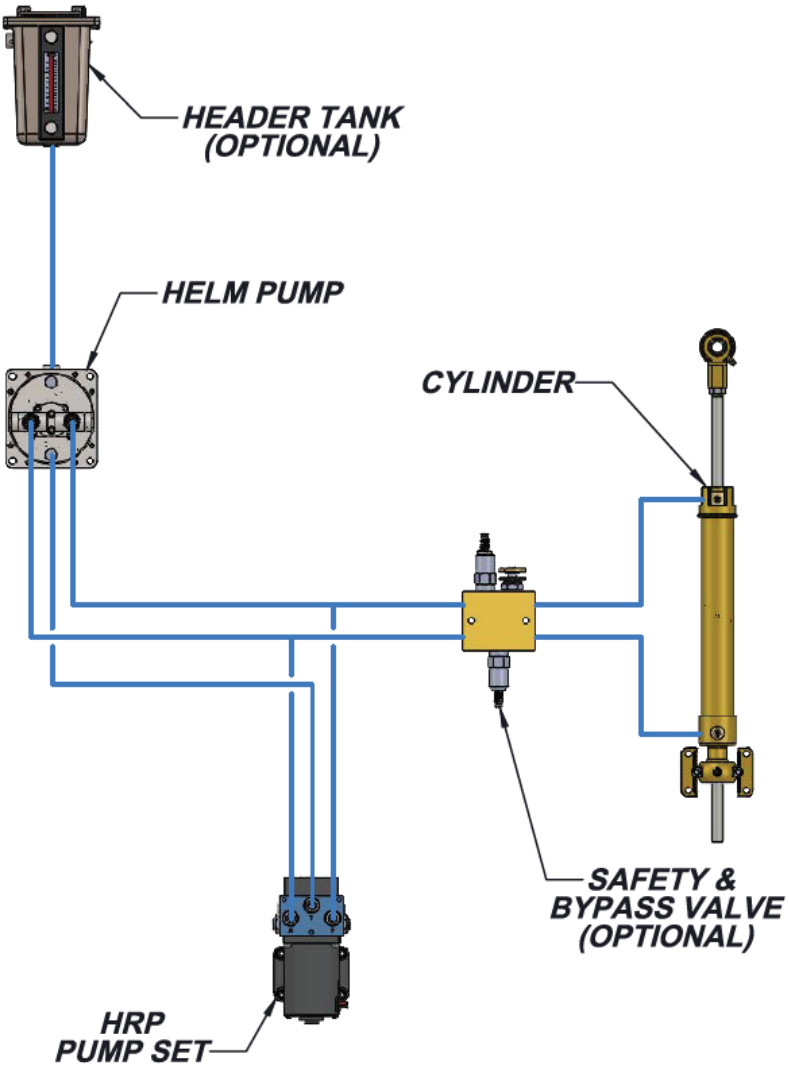


Figure 14: Typical System Arrangement

13 APPENDIX E: SHAFT SEAL REPLACEMENT

Steps for Replacement of Motor Shaft Seal:

1. Clean both the Bore and Seal thoroughly with Methyl Hydrate or Similar Degreaser
2. Apply thin film of Loctite 567 (Liquid Teflon) to the Bore and Seal
3. Using moderate force, drive Seal into bottom of Bore using seating tool.

Note: Installation force is often provided solely by hand-operated arbor presses or soft-faced mallets (used in conjunction with strike plates).

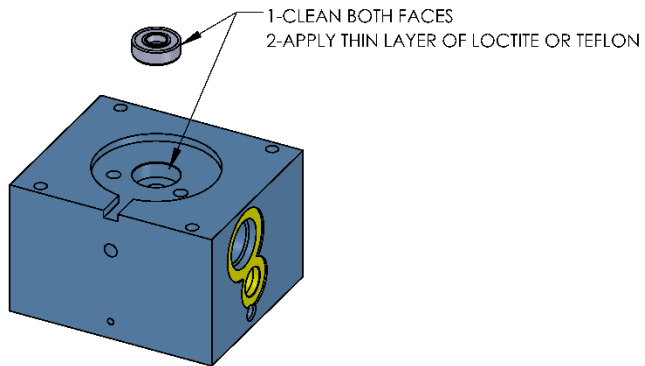


Figure 15: Motor Shaft Seal Diagram A

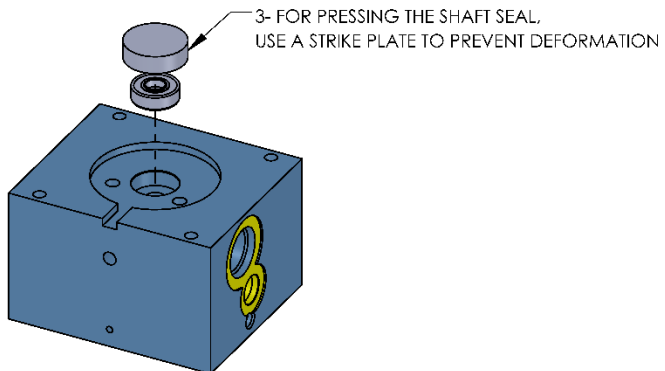


Figure 16: Motor Shaft Seal Diagram B

14 MANUAL REVISIONS

Table 6: Table of revision changes

Document Revision	Release Date	Author	Revision Summary
E	-	-	<ul style="list-style-type: none"> Section 2.1, Table 1: HRP05/HRP11/HRP17 Technical Data, changed recommended protection values, operating temperature. Appendix B: Pump Parts List, Table 4, changed screw part number too 1002-1012-2
F	-	-	<ul style="list-style-type: none"> Appendix B: Pump Parts List, Table 4, changed HRP05 pump housing part number to 502-010
G	-	-	<ul style="list-style-type: none"> Section 6.2 added 600-071-RK BOM Changed Appendix D: Manifold assembly parts to Appendix C. Removed Appendix E: Brush replacement
H	-	-	<ul style="list-style-type: none"> Revised Figure 2: Internal Hydraulic Schematic.
J	2023-12-05	Grant	<ul style="list-style-type: none"> Section 2.1, revised technical specifications, Table 1. Section 2.1.5, added recommended overload trip time Section 2, 4.3, Changed overload protection device to adjustable thermal overload Added Section 5.4, overload adjustment procedure.

This Page Intentionally Left Blank

KOBELT

Kobelt Manufacturing Co. Ltd.

8238 129th Street
Surrey, British Columbia,
Canada, V3W 0A6

Sales Tel: +1-604-572-3935

Fax: +1-604-590-8313

Email: sales@kobelt.com

Website: www.kobelt.com

Made in Canada / Printed in Canada