



**MODEL 2003
3" SINGLE HANDLE
PUSH PULL CONTROL**

This control is manufactured in all bronze and stainless steel and offers trouble-free service in salt water conditions.

Dimensionally it is very close to the Model 2009, except with a narrower cover, and also uses the same three styles of handles in an assortment of lengths.

This control is intended only for single-function applications.

ORDERING INFORMATION

- K - with chrome finish cover and handle
- L - with polished bronze finish cover and handle
- M - with black epoxy finish cover and chrome handle
- N - one long handle with detent
- NN - one long handle with detent and friction
- O - one long handle with friction
- P - one short handle with detent
- PP - one short handle with detent and friction
- R - one short handle with friction
- S - right hand model
- T - left hand model
- U - curved handle with plastic knob
- V - T-bar handle with plastic handle grips
- Y - T-bar handle

NOTE:

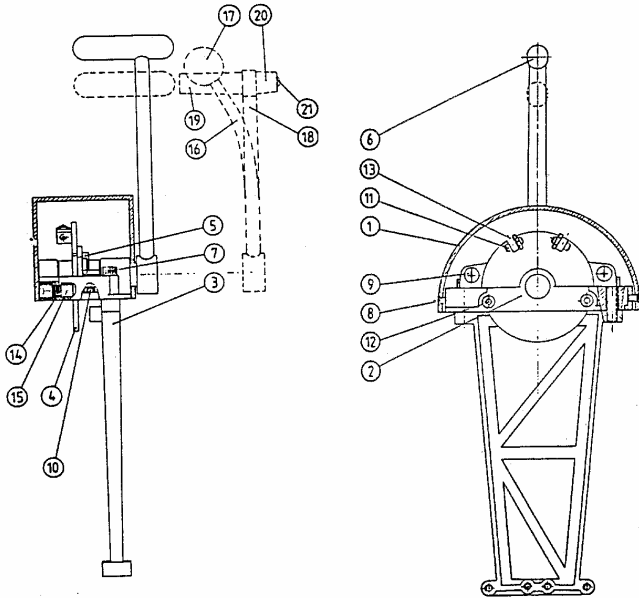
Cable connector kits are to be ordered separately.

Each Push Pull cable end attached to the control head requires one connection kit.

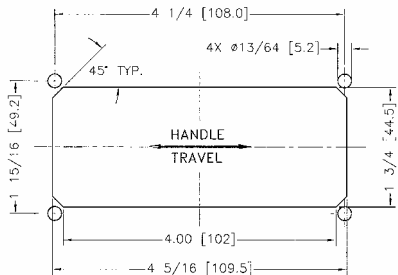
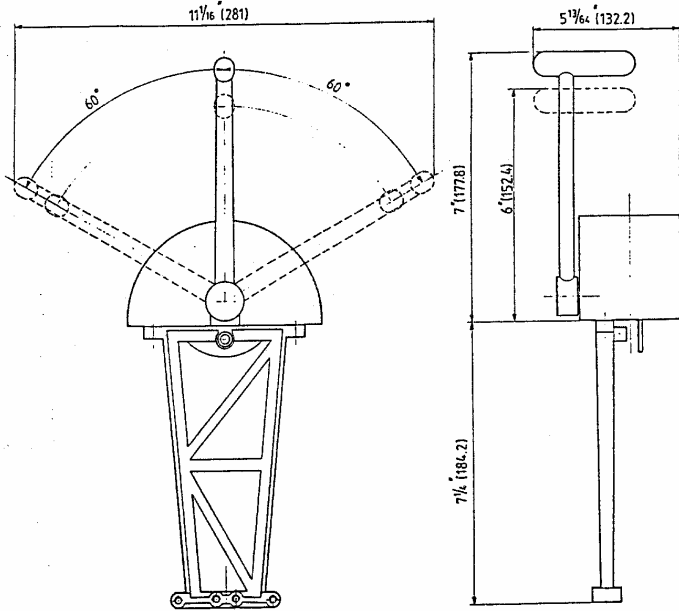
Ordering Numbers:

- 2003-0901 Connection Kit (30 series cable)
- 2003-0902 Connection Kit (40 series cable)
- 2003-0903 Neutral Safety Switch Kit
- 2003-0910 Electric Clutch Adaptor Kit

DIMENSIONS AND PARTS LIST MODEL 2003



Item	Qty	Part Number	Description
1	1	2003-0001	Dome
2	1	2003-0002	Frame
3	1	2009-0003	Support
4	1	2009-0004	Pivot Plate
5	1	2009-0005	Pin Retainer
6	1*	2003-0006	Long Handle
6	1*	2003-0007	Short Handle
7	2	1002-1014	Hex Head Screw
8	2	1005-0808	Oval Head Screw
9	1	1009-0808	Flat Head Screw
10	1	1016-0804	Set Screw
11	2	1016-0808	Set Screw
12	2	1016-1204	Set Screw
13	2	1022-0108	Nut
14	1	1201-0003	Spring
15	1	2012-0007	Detent Plunger
16	1	2003-3015	Curved Handle (knob)
17	1	2030-0011	Black Knob
17	1	2030-0012	Red Knob
18	1*	2003-2015	Long Handle (plastic grips)
18	1*	2003-2016	Short Handle (plastic grips)
19	1*	2111-0001B	Plastic Grip (black)
19	1*	2111-0001R	Plastic Grip (red)
20	1*	2111-0004B	Grip End (black)
20	1*	2111-0004R	Grip End (red)
21	1	1011-1028	Oval Head Screw
2003-0901 (30 series) Connection Kit			
1		2105-0001	Clevis
1		2108-0001	Clamp
1		2109-0002	Spacer
1		1037-0410	Pin
2		1010-0808	Round Hd Screw
2003-0902 (40 series) Connection Kit			
1		2105-0002	Clevis
1		2108-0002	Clamp
1		2109-0002	Spacer
1		1037-0410	Pin
1		1012-0814	Pan Hd Screw
2003-0903 Neutral Safety Switch Kit			
1		2011-0007	Bracket
1		1901-0001	Micro switch
1		1010-0804	Round Hd Screw
2		1004-0208	Round Hd Screw
2		1022-0102	Nut



"CUT-OUT" DIMENSIONS

*Quantity may vary with options

All dimensions in inches (mm)