

## MODEL 2008 HEAVY DUTY 4" STROKE ONE HANDLE PUSH PULL CONTROL HEAD

This heavy duty push-pull control features illuminated side scales. It has up to 4 inches of stroke, which makes it ideal for the control of small c.p. propellers, small mechanical clutches and small water jets.

### FEATURES:

- 5 year guarantee
- Corrosion free die cast silicon bronze and stainless steel hardware
- 5 adjustable stroke ranges up to 4 inches
- Suitable for 30 Series and 40 Series Cables
- LARGE BEARINGS
  - No Lost Motion
  - High Strength
  - Low Wear and Long Life
- Removable dome for easy head and cable installation
- Independent friction and detent (standard) are adjustable and removable
- Operating quadrants are positively pin fastened to handle shaft for safety
- Suitable for series or parallel rigging
- Optional safety switch, which prevents starting unless control head is in neutral (center) position, is available either pre-installed or in kit form

### ORDERING INFORMATION:

- \*H - With one neutral safety switch
- I - Electric clutch adaptor
- K - With chrome finish cover and handle
- L - With polished brass finish cover and handle
- M - With black epoxy finish cover and chrome handle
- N - One long handle with detent
- NN - One long handle with detent and friction
- O - One long handle with friction
- P - One short handle with detent
- PP - One short handle with detent and friction
- R - One short handle with friction

The standard Model 2008 control head is supplied as follows:

- i. One long handle with detent or friction
- ii. With black epoxy finish cover and chrome handle

To order state Model number followed by Model Designation Letter Codes:

Example: Standard 2008 control head  
Ordering number 2008 - MO

### NOTE:

Cable connector kits are ordered separately. Each Push-Pull cable end attached to the control head requires one kit.

### Ordering Numbers:

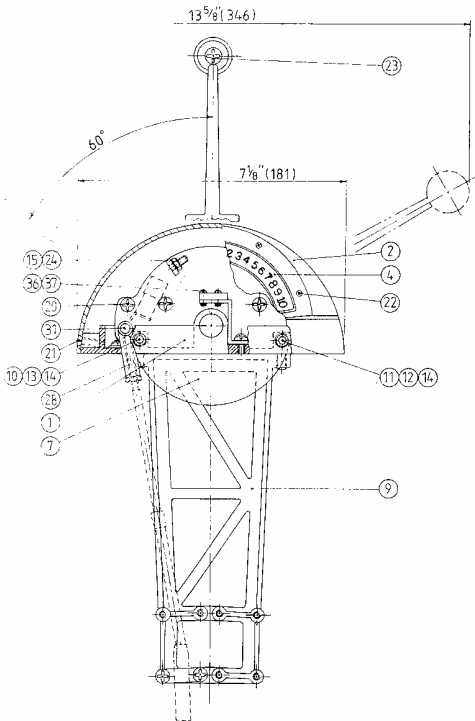
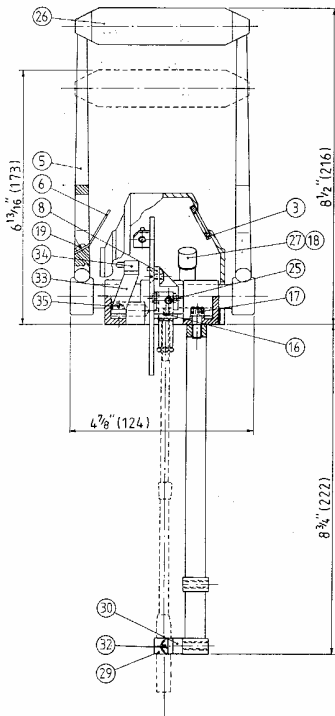
- 2008 - 0901 Connection Kit (30 series)
- 2008 - 0902 Connection Kit (40 series)
- 2008 - 0903 Neutral Safety Switch Kit
- 2008 - 0910 Electric Clutch Adaptor

Weight: 6.5 lbs. (2.9 kg.)

\* Neutral safety switch is normally installed with detented handle.

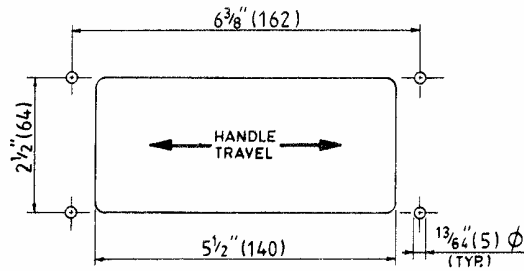
U.S. Pat. No. 4280371  
CAN. Pat. No. 1158136

# DIMENSIONS AND PARTS LIST MODEL 2008



ITEM	QTY.	PART NUMBER	DESCRIPTION
1	1	2006 - 0001	Frame
2	1	2553 - 0001	Dome
3	2	2553 - 0006	Scale Retainer
4	1	2553 - 0016	Scale L.H. (10-0-10)
4	1	2553 - 0017	Scale R.H. (10-0-10)
4	1	2553 - 0021	Scale R.H. (0-14)
4	1	2553 - 0022	Scale L.H. (0-14)
5	2	2074 - 0002	Long Handle (Standard)
5	2	2074 - 0001	Short Handle
6	2	2553 - 0018	Pointer
7	2	2012 - 0005	Pivot Plate
8	2	2012 - 0006	Pin Retainer
9	1	2011 - 0008	Support
10	*1	2545 - 0012	Detent Pin
11	*1	2545 - 0021	Friction Pad
12	*1	1201 - 0003	Spring
13	*1	1201 - 0062	Spring
14	1	1016 - 1204	Setscrew
15	2	1016 - 0808	Setscrew
16	1	1016 - 1004	Setscrew
17	2	1002 - 1010	Socket Hd. Screw
18	2	1010 - 0804	Round Hd. Screw
19	2	1006 - 0604	Pan Hd. Screw
20	4	1009 - 0808	Flat Hd. Screw
21	2	1005 - 0808	Oval Hd. Screw
22	16	1011 - 0406	Oval Hd. Screw
23	2	1011 - 1016	Oval Hd. Screw
24	2	1022 - 0108	Jam Nut
25	2	1024 - 0816	Spring Pin
26	1	2553 - 0020	Handle Grip
27	2	6001 - 0206	Light Socket
<b>2008 - 0901 (30 SERIES) CONNECTION KIT</b>			
28	1	2105 - 0001	Clevis
29	1	2108 - 0001	Clamp
30	1	2109 - 0001	Spacer
31	1	1037 - 0411	Pin
32	2	1010 - 0810	Round Hd. Screw
<b>2008 - 0902 (40 SERIES) CONNECTION KIT</b>			
28	1	2105 - 0002	Clevis
29	1	2108 - 0002	Clamp
30	1	2109 - 0001	Spacer
31	1	1037 - 0411	Pin
32	2	1010 - 0816	Round Hd. Screw
<b>2008 - 0903 NEUTRAL SAFETY SWITCH KIT</b>			
33	1	2011 - 0007	Bracket
34	1	1901 - 0001	Microswitch
35	1	1010 - 0804	Round Hd. Screw
36	2	1004 - 0208	Round Hd. Screw
37	2	1022 - 0102	Nut

\*Qty. may vary



"CUT-OUT DIMENSIONS"

ALL DIMENSIONS IN INCHES (MM)

**KOBELT** MANUFACTURING  
COMPANY LIMITED