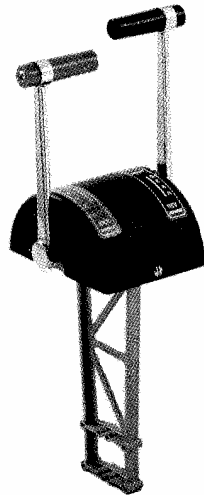


2010
Standard



2010
"V" Handle

MODEL 2010 2 3/8" STROKE TWO HANDLE PUSH PULL CONTROL HEAD

Model 2010 is a medium duty push pull control. It is available with either standard handles or handles with plastic grips. Due to its maximum stroke of 2 3/8" it is not recommended for multi-stations or outboard-engine

FEATURES:

- 5 year guarantee
- Corrosion free die cast silicon bronze and stainless steel hardware
- 2 adjustable stroke ranges up to 2 3/8 inches
- Suitable for 30 Series and 40 Series Cables
- LARGE CENTER BEARING
 - No Lost Motion
 - High Strength
 - Low Wear and Long Life
- Removable dome for easy head and cable installation
- Independent friction and detent (standard) are adjustable and removable
- Operating quadrants are positively pin fastened to handle shaft for safety
- Optional safety switch, which prevents engine starting unless control head is in neutral (center) position, is available either pre-installed or in kit form
- Self-adhesive labels, instructions and a cutout template are included

ORDERING INFORMATION:

- A - One short handle with friction and one long handle with detent
- AA - One short handle with friction and one long handle with friction
- B - Two long handles with detent
- C - Two long handles with friction
- D - Two long handles with one detent and one friction
- E - Two short handles with detent
- F - Two short handles with friction
- G - Two short handles with one detent and one friction
- *H - With one neutral safety switch
- *J - With two neutral safety switches
- K - With chrome finish cover and handles
- L - With polished brass finish cover and handles
- M - with black epoxy finish cover and chrome handles
- V - With red or black plastic grips

The standard Model 2010 control head is supplied as follows:

- One short handle with friction and one long handle with detent
- With chrome finish cover and handles
- Without neutral safety switch

To order state Model number followed by Model Designation Letter Codes:

Example: Standard 2010 control head.
Ordering number 2010 - AK

NOTE:

Cable connector kits are ordered separately. Each Push Pull cable end attached to the control head requires one kit.

Ordering Numbers:

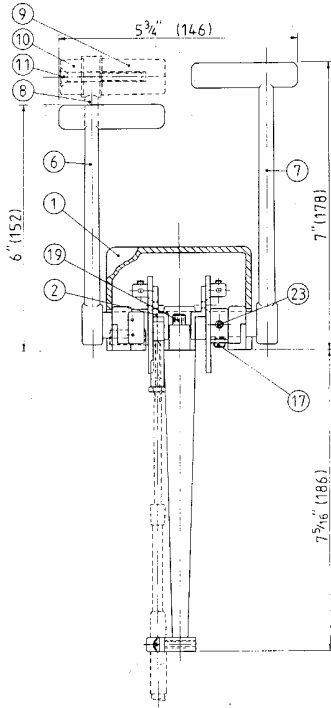
- 2010 - 0901 Connection Kit (30 series cable)
- 2010 - 0902 Connection Kit (40 series cable)
- 2010 - 0903 Neutral Safety Switch Kit

Weight: 5 lbs.(2.27 kg)

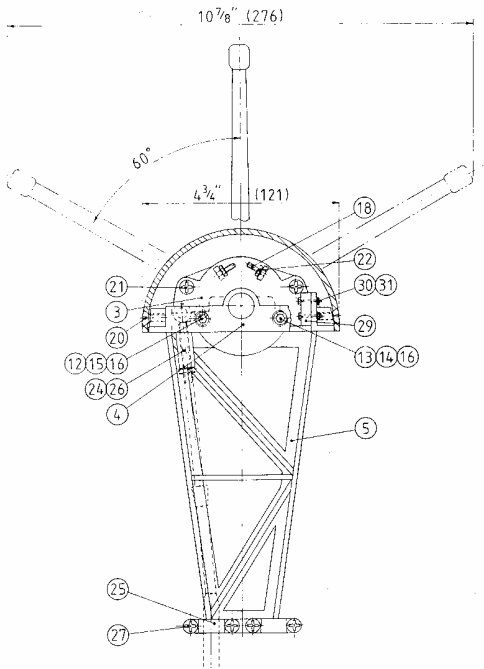
*Neutral safety switch is normally installed with detented handle.

U.S. Pat. No. 4280371
CAN. Pat. No. 1158136

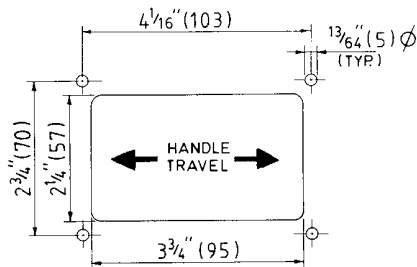
2010 DIMENSIONS AND PARTS LIST



ITEM	QTY.	PART NUMBER	DESCRIPTION
1	1	2010 - 0001	Dome
2	2	2010 - 0002	Pin Retainer
3	2	2010 - 0003	Pivot Plate
4	1	2010 - 0007	Frame
5	1	2010 - 0008	Support
6	*1	2010 - 0011	Short Handle (Standard)
7	*1	2010 - 0012	Long Handle (Standard)
8	*1	2010 - 2011	Short Handle (Plastic Grips)
8	*1	2010 - 2012	Long Handle (Plastic Grips)
9	*1	2111 - 0001B	Plastic Grip (Black)
9	*1	2111 - 0001R	Plastic Grip (Red)
10	*1	2111 - 0004B	Grip End (Black)
10	*1	2111 - 0004R	Grip End (Red)
11	*2	1011 - 1028	Oval Hd. Screw
12	*1	2010 - 0010	Detent Pin
13	*1	2542 - 0008	Friction Pad
14	*1	1201 - 0002	Spring
15	*1	1201 - 0003	Spring
16	2	1016 - 1204	Set Screw
17	2	1016 - 0804	Set Screw
18	4	1016 - 0808	Set Screw
19	2	1002 - 1014	Socket Hd. Screw
20	2	1005 - 0808	Oval Hd. Screw
21	4	1009 - 0808	Flat Hd. Screw
22	4	1022 - 0108	Nut
23	2	1024 - 0816	Spring Pin
2010 - 0901 (30 SERIES) CONNECTION KIT			
24	1	2107 - 0001	Clevis
25	1	2108 - 0001	Clamp
26	1	1037 - 0407	Pin
27	2	1010 - 0806	Round Hd. Screw
2010 - 0902 (40 SERIES) CONNECTION KIT			
24	1	2106 - 0002	Clevis
25	1	2108 - 0002	Clamp
26	1	1037 - 0407	Pin
27	2	1010 - 0812	Round Hd. Screw
28	1	1016 - 0804	Set Screw
2010 - 0903 NEUTRAL SAFETY SWITCH KIT			
29	1	1901 - 0001	Microswitch
30	2	1004 - 0208	Round Hd. Screw
31	2	1022 - 0102	Nut



*Qty. may vary



ALL DIMENSIONS IN INCHES (MM)

"CUT-OUT DIMENSIONS"