

MODEL 2014 HEAVY DUTY 4" STROKE TWO HANDLE PUSH PULL CONTROL HEAD

The model 2014 is the most stylish mechanical control available. It features illuminated side scales and up to 4" (102mm) of stroke. It lends itself ideally for the use on small c.p. propellers, small water jets and small mechanical clutches.

FEATURES:

- 5 year guarantee
- Corrosion free die cast silicon bronze and stainless steel hardware
- 5 adjustable stroke ranges up to 4 inches
- Suitable for 30 Series and 40 Series Cables
- LARGE CENTER BEARING
 - No Lost Motion
 - High Strength
 - Low Wear and Long Life
- Removable dome for easy head and cable installation
- Independent friction and detent (standard) are adjustable and removable
- Operating quadrants are positively pin fastened to handle shaft for safety
- Suitable for series or parallel rigging
- Optional safety switch, which prevents engine starting unless control head is in neutral (center) position, is available either pre-installed or in kit form

ORDERING INFORMATION:

- A - One short handle with friction and one long handle with detent
- AA - One short handle with friction and one long handle with friction
- B - Two long handles with detent
- C - Two long handles with friction
- D - Two long handles with one detent and one friction
- E - Two short handles with detent
- F - Two short handles with friction
- G - Two short handles with one detent and one friction
- *H - With one neutral safety switch
- I - Electric clutch adaptor
- *J - With two neutral safety switches
- K - With chrome finish cover and handles
- L - With polished brass finish cover and handles
- M - With black epoxy finish cover and chrome handles
- S - Right hand model (Clutch on right side) with option A, AA, D, G
- T - Left hand model (Clutch on left side) with option A, AA, D, G

The standard Model 2014 control head is supplied as follows:

- i. One short handle with friction and one long handle with detent
- ii. With black epoxy finish cover and chrome handles
- iii. Right hand model

To order state Model number followed by Model Designation Letter Codes:

Example: Standard 2014 control head.
Ordering number 2014 - AMS

NOTE:

Cable connector kits are ordered separately. Each Push Pull cable end attached to the control head requires or kit.

Ordering Numbers:

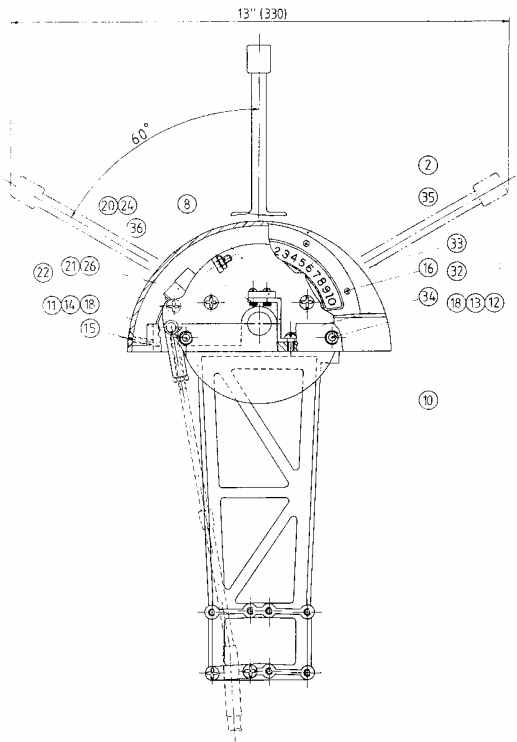
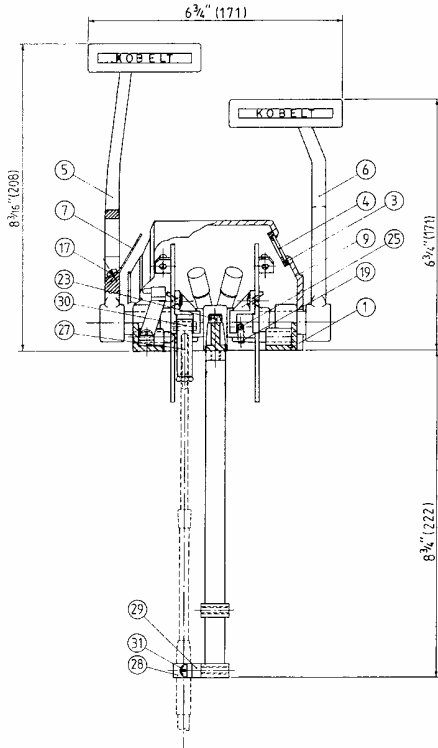
- 2014 - 0901 Connection Kit (30 series cable)
- 2014 - 0902 Connection Kit (40 series cable)
- 2014 - 0903 Neutral Safety Switch Kit
- 2014 - 0910 Electric Clutch Kit

Weight : 9.1 lbs. (4.1 kg)

*Neutral safety switch is normally installed with detente handle.

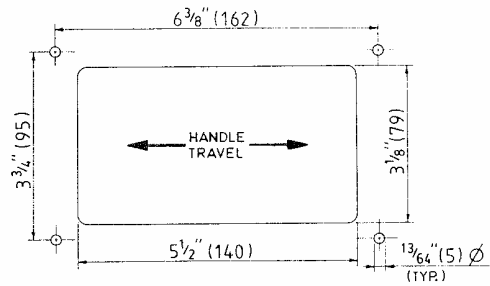
U.S. Pat. No. 4280371
CAN. Pat. No. 1158136

DIMENSIONS AND PARTSLIST MODEL 2014



ITEM	QTY.	PART NUMBER	DESCRIPTION
1	1	2012 - 0001	Frame
2	1	2054 - 0001	Dome
3	2	2553 - 0006	Scale Retainer
4	*1	2553 - 0016	Scale L.H. (10-0-10)
4	*1	2553 - 0017	Scale R.H. (10-0-10)
4	*1	2553 - 0021	Scale R.H. (0-14)
4	*1	2553 - 0022	Scale L.H. (0-14)
5	*1	2075 - 0002	Long Handle
6	*1	2075 - 0001	Short Handle
7	2	2553 - 0018	Pointer
8	2	2012 - 0005	Pivot Plate
9	2	2012 - 0006	Pin Retainer
10	1	2011 - 0008	Support
11	*1	2012 - 0007	Detent Pin
12	*1	2542 - 0008	Friction Pad
13	*1	1201 - 0002	Spring
14	*1	1201 - 0003	Spring
15	2	1005 - 0808	Oval Hd. Screw
16	16	1011 - 0406	Oval Hd. Screw
17	2	1006 - 0604	Pan Hd. Screw
18	2	1016 - 1204	Setscrew
19	2	1016 - 1004	Setscrew
20	4	1016 - 0808	Setscrew
21	2	1010 - 0806	Round hd. Screw
22	8	1009 - 0808	Flat Hd. Screw
23	2	1002 - 1020	Socket Hd. Screw
24	4	1022 - 0108	Nut
25	4	1024 - 0816	Spring Pin
26	4	6001 - 0206	Light Socket
2014 - 0901 (30 SERIES) CONNECTION KIT			
27	1	2105 - 0001	Clevis
28	1	2108 - 0001	Clamp
29	1	2109 - 0001	Spacer
30	1	1037 - 0411	Pin
31	2	1010 - 0810	Round Hd. Screw
2014 - 0902 (40 SERIES) CONNECTION KIT			
27	1	2105 - 0002	Clevis
28	1	2108 - 0002	Clamp
29	1	2109 - 0001	Spacer
30	1	1037 - 0411	Pin
31	2	1010 - 0816	Round Hd. Screw
2014 - 0903 NEUTRAL SAFETY SWITCH KIT			
32	1	2011 - 0007	Bracket
33	1	1901 - 0001	Microswitch
34	1	1010 - 0804	Round Hd. Screw
35	2	1004 - 0208	Round Hd. Screw
36	2	1022 - 0102	Nut

* Qty. may vary



"CUT-OUT DIMENSIONS"

ALL DIMENSIONS IN INCHES (MM)