



Model 2091 Two Station Single Lever Control

The 2091 master control head features a pull-out handle for overriding throttle. All control models are entirely made of die-cast silicon bronze and stainless steel hardware and are backed up with our five year warranty.

The maximum clutch stroke of this unit is 2-3/4" (70 mm) and the maximum throttle stroke is 2-5/8" (67 mm). Various connection points are available to provide the position for correct travel for your engine and gear.

The remote control head to pair with this model is our Model 2093.

Letter Code Designations:

- H - with one neutral safety switch
- K - with chrome finish cover and handle
- L - with polished brass finish cover and handle
- M - with black epoxy finish cover and chrome handle
- T - left hand model
- U - curved handle
- Y - T-bar handle
- Z - with riveted metal labels

Example:

2091-KYZ is a single engine master control with chrome finish (K), T-bar handle (Y) and riveted label (Z).

NOTE:

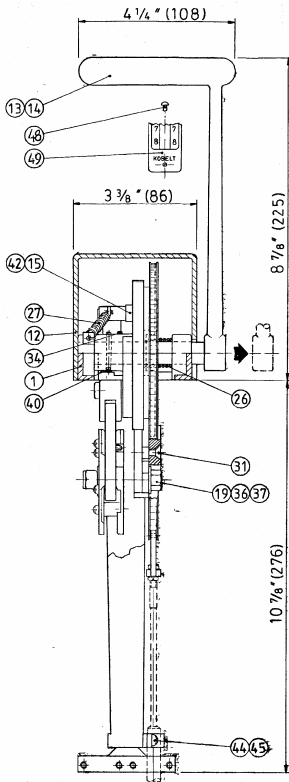
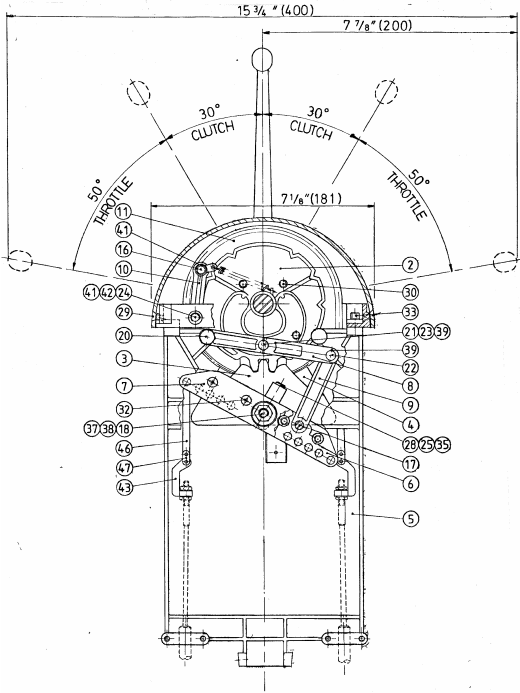
Two cables per engine are required for interconnecting the master and remote station. These are 47 series pull/pull cables and are available in even foot lengths from 8 to 30 feet. Control heads include all necessary parts to attach cables from the master station to the remote station

Adapter kits to connect clutch and throttle cables to the master control are ordered as follows:

- 2091-0901 for 30 series cables;
- 2091-0902 for 40 series cables.

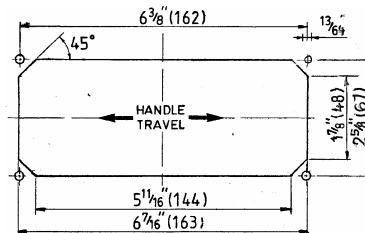
DIMENSIONS AND PARTS LIST

Model 2091



All Dimensions in inches (mm)

ITEM	QTY	PART NUMBER	DESCRIPTION
1	1	2090-0001	Frame
2	1	2090-0002	Centre Cam
3	1	2090-0003	Clutch Pivot Plate
4	1	2090-0004	Retainer Plate
5	1	2090-0005	Support
6	1	2090-0006	Throttle Pivot Plate
7	1	2090-0007	Retainer Plate
8	1	2090-0008	Link No. 1
9	1	2090-0009	Link No. 2
10	1	2090-0010	Detent Lever
11	1	2090-0011	Chain Sprocket
12	1	2006-0002	Dome
13	1	2090-0019	Handle (T-bar)
14	1	2090-0020	Handle (curved)
15	1	2090-0013	Detent Roller
16	1	2090-0014	Snap Ring Pin
17	1	2090-0015	Pin
18	1	2046-0016	Throttle Bushing
19	1	2046-0017	Clutch Bushing
20	1	2046-0018	Shoulder Bolt
21	1	2046-0023	Pin
22	1	2046-0024	Pin
23	1	2046-0027	Throttle Roller
24	1	2090-0018-S	Snap Ring Pin
25	1	1201-0002	Spring
26	1	1201-0150	Spring
27	1	1201-0005	Spring
28	1	2542-0008	Friction Pad
29	2	1005-0808	Oval Hd Screw
30	4	1009-0805	Flat Hd. Screw
31	3	1009-0808	Flat Hd. Screw
32	4	1010-0808	Round Hd Screw
33	4	1002-1010	Socket Hd Screw
34	1	1016-0804	Set Screw
35	1	1016-1204	Set Screw
36	1	1001-1136	Hex Hd Screw
37	2	1023-0237	Flat Washer
38	1	1022-0311	Lock Nut
39	2	1024-0508	Spring Pin
40	2	1024-0816	Spring Pin
41	2	1029-1025	Snap Ring
42	2	1029-2025	Snap Ring (crescent)
Chain Connection Kit			
43	2	2090-0012	Cable-chain Connector
44	2	2108-0002	Cable Clamp
45	4	1010-0808	Round Hd Screw
46	1	2090-0016	Chain
47	2	2090-0017	Connecting Link
48	2	1032-0304	Rivet
49	1	2050-0026	Label



"CUT-OUT" DIMENSIONS