

## MODEL 2512 SINGLE COMPENSATOR 1/4" N.P.T

The model 2512 is a low cost pressure regulating valve, designed for applications where high accuracy is not essential. The all bronze and stainless steel construction makes this valve ideal for many marine and industrial applications. By using a stacking adaptor it is possible to stack this unit with any of the 2510 series valves and use a common air supply.

**Weight:** 3.3 lbs. (1.5kg)

**Materials:** Die cast silicon bronze and stainless steel hardware

**Maximum Supply Pressure:** 200 PSI (13.80 BAR)

**Operating Temperature Range:** -40°C to +90°C

**Pipe Port Size:** 1/4" N.P.T.

### APPLICATIONS

-Pneumatic remote control of throttles, brakes, single acting positioning cylinders and various other applications where a pressure regulating valve is required

### ORDERING INFORMATION

- E - Spring return
- F - Neutral position handle lock
- G - 2 position handle lock
- J - Friction (with 45° handle travel)
- K - Neutral position detent (with 45° handle travel)
- L - 22° handle travel (with options E or G)
- M - 45° handle travel
- N - 0-60 PSI
- P - 0-80 PSI
- \*R - 0-100 PSI
- \*S - 0-120 PSI

\* Pressure settings of 100 PSI or more require a 2 position handle lock if used with option J.

To order state model number followed by the desired model designation letter codes

**Example:** 2512 with friction, 45° handle travel  
and 0 - 80 PSI pressure range  
Ordering No. 2512 - JMP

All 2510 series valves can be stacked with the use of an optional stacking adaptor kit. One is required for every valve stacked.

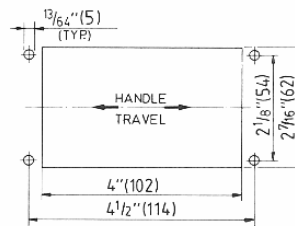
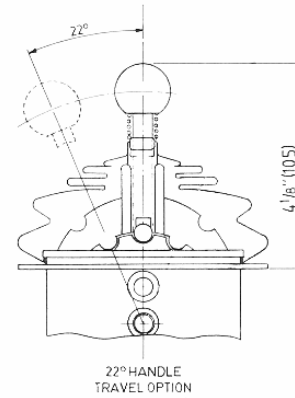
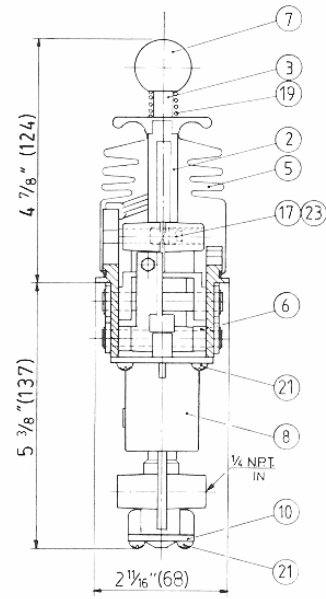
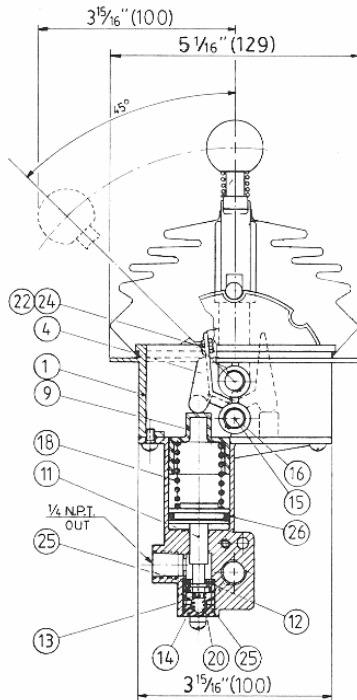
Ordering No. 2511 - 1000

### SCHEMATIC SYMBOL



Patent Pending

## DIMENSIONS AND PARTS LIST MODEL 2512



"CUT-OUT DIMENSIONS"

ITEM	QTY.	PART NUMBER	DESCRIPTION
1	1	2511 - 0001S	Frame (2 Pos. Lock or Friction)
1	1	2511 - 0001D	Frame (Neutral Pos. Detent)
1	1	2511 - 0001L	Frame (Neutral Pos. Lock)
2	1	2511 - 0002	Latch
3	1	2511 - 0003	Handle
4	2	2511 - 0004	Link
5	1	2511 - 0005	Rubber Boot
6	*2	2511 - 0007	Spacer
7	1	2030 - 0001	Knob
8	1	2512 - 0001	Valve Body
9	1	2513 - 0001	Spring Retainer
10	1	2513 - 0003	Retainer Bar
11	1	2513 - 0004	Spool
12	1	3803 - 0003	Seat
13	1	3803 - 0004	Poppet
14	1	3803 - 0005	Retainer
15	*2	2511 - 0006	Pin
16	*4	1029 - 1037	Snap Ring
17	*1	2511 - 0008	Friction
18	1	1201 - 0142	Spring (60 PSI)
18	1	1201 - 0143	Spring (80 PSI)
18	1	1201 - 0144	Spring (100 PSI)
18	1	1201 - 0145	Spring (120 PSI)
19	1	1201 - 0147	Spring
20	1	1201 - 0004	Spring
21	6	1010 - 0806	Round Hd. Screw
22	2	1001 - 0810	Hex. Hd. Screw
23	*1	1016 - 1204	Setscrew
24	2	1022 - 0108	Nut
25	2	1101 - 0012	"O" Ring
26	1	1102 - 0009	"U" Cup

\*Qty. may vary

All dimensions in inches (mm)

**KOBELT** MANUFACTURING  
COMPANY LIMITED