

MODEL 2513 DUAL COMPENSATOR 1/4" N.P.T.

This low cost valve is ideal for many marine and industrial applications where high accuracy is not required. The unit consists of two independent regulating valves. Moving the handle, from the midposition either way will proportionally increase the pressure output of the corresponding valve. It is possible to stack this unit with any of the 2510 series valves, using a common air supply.

Weight: 4.0 lbs. (1.8kg)

Materials: Die cast silicon bronze and stainless steel hardware

Maximum Supply Pressure: 200 PSI (13.8 BAR)

Operating Temperature Range: -40°C to +90°C

Pipe Port Size: 1/4" N.P.T.

APPLICATIONS

-Pneumatic remote control of double acting positioning cylinders, variable delivery hydraulic pumps etc.

ORDERING INFORMATION

- E - Spring return
- F - Neutral position handle lock
- G - 3 position handle lock
- J - Friction (with 45° handle travel)
- K - Neutral position detent (with 45° handle travel)
- L - 22° handle travel each way (with options E or G)
- M - 45° handle travel each way
- N - 0-60 PSI
- P - 0-80 PSI
- *R - 0-100 PSI
- *S - 0-120 PSI

* Pressure settings of 100 PSI or more require a 3 position handle lock if used with option J.

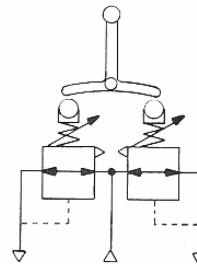
To order state model number followed by the desired model designation letter codes

Example: 2513 with friction, 45° handle travel and
0 - 80 PSI pressure range
Ordering No. 2513 - JMP

All 2510 series valves can be stacked with the use of an optional stacking adaptor kit. One is required for every valve stacked.

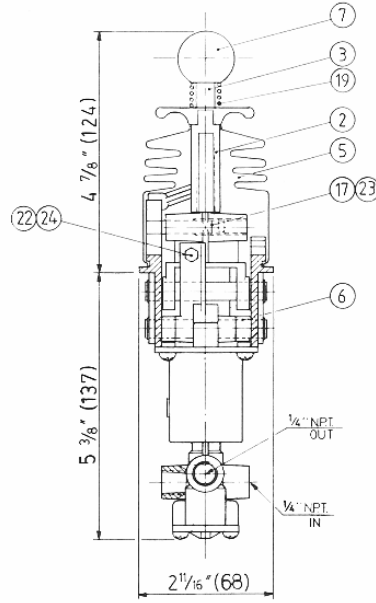
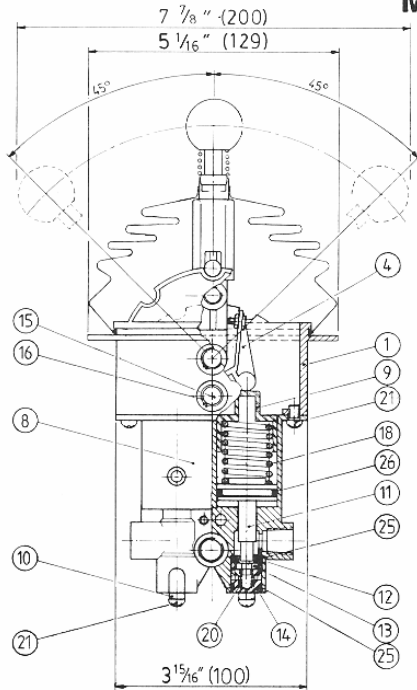
Ordering No. 2511 - 1000

SCHEMATIC SYMBOL



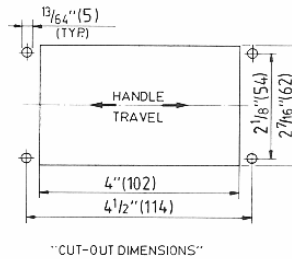
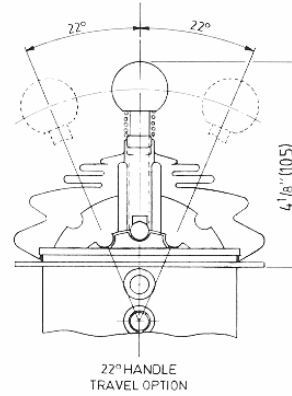
Patent Pending

DIMENSIONS AND PARTS LIST MODEL 2513



ITEM	QTY.	PART NUMBER	DESCRIPTION
1	1	2511 - 0001S	Frame (3 Pos. Lock or Friction)
1	1	2511 - 0001D	Frame (Neutral Pos. Detent)
1	1	2511 - 0001L	Frame (Neutral Pos. Lock)
2	1	2511 - 0002	Latch
3	1	2511 - 0003	Handle
4	2	2511 - 0004	Link
5	1	2511 - 0005	Rubber Boot
6	*2	2511 - 0007	Spacer
7	1	2030 - 0001	Knob
8	1	2513 - 0001	Valve Body
9	2	2513 - 0001	Spring Retainer
10	2	2513 - 0003	Retainer Bar
11	2	2513 - 0004	Spool
12	2	3803 - 0003	Seat
13	2	3803 - 0004	Poppet
14	2	3803 - 0005	Retainer
15	*2	2511 - 0006	Pin
16	*4	1029 - 1037	Snap Ring
17	*2	2511 - 0008	Friction
18	2	1201 - 0142	Spring (60 PSI)
18	2	1201 - 0143	Spring (80 PSI)
18	2	1201 - 0144	Spring (100 PSI)
18	2	1201 - 0145	Spring (120 PSI)
19	1	1201 - 0147	Spring
20	2	1201 - 0004	Spring
21	8	1010 - 0806	Round Hd. Screw
22	2	1001 - 0810	Hex. Hd. Screw
23	*1	1016 - 1204	Setscrew
24	2	1022 - 0108	Nut
25	4	1101 - 0014	"O" Ring
26	2	1102 - 0009	"U" Cup

* Qty. may vary



All dimensions in inches (mm)

KOBELT MANUFACTURING
COMPANY LIMITED