

MODEL 2516 3-WAY LEVER OPERATED 2 POSITION VALVE 1/4"N.P.T.

This valve was designed for applications where low cost and high quality are important. The poppet type valve makes this unit very dependable. It can be used wherever a pneumatic on-off (not pressure compensating) remote control function is needed. With the use of a stacking adaptor any of the 2510 series valves can be stacked together using a common air supply.

Weight: 3.0 lbs. (1.4kg)

Materials: Die cast silicon bronze and stainless steel hardware

Maximum Supply Pressure: 200 PSI (13.8 BAR)

Operating Temperature Range: -40°C to +90°C

Pipe Port Size: 1/4" N.P.T.

APPLICATIONS

-Pneumatic remote control of single acting cylinders, clutches, brakes and various other pneumatic on-off functions.

ORDERING INFORMATION

- E - Spring return
- F - Neutral position handle lock
- G - 2 position handle lock
- K - Neutral position detent (with 45° handle travel)
- L - 22° handle travel (with options E or G)
- M - 45° handle travel

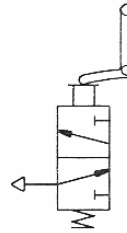
To order state model number followed by the desired model designation letter codes

Example: 2516 with spring return, neutral position handle lock and 45° handle travel.
Ordering No. 2516 - EFM

All 2510 series valves can be stacked with the use of an optional stacking adaptor kit. One is required for every valve stacked.

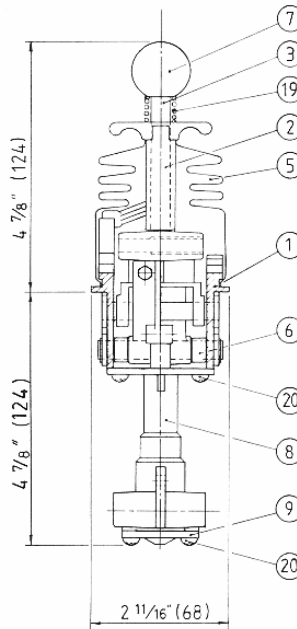
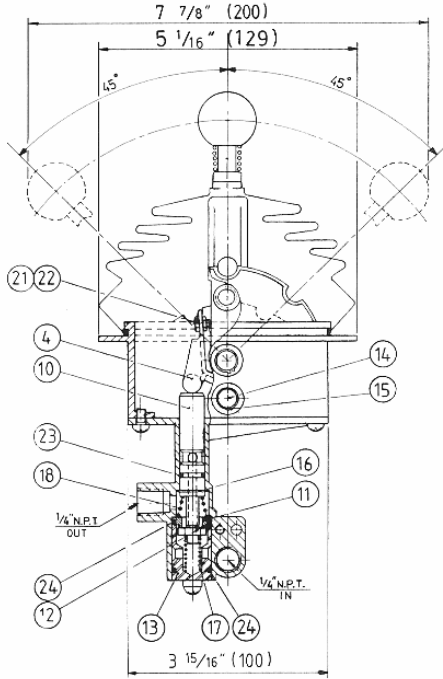
Ordering No. 2511 - 1000

SCHEMATIC SYMBOL



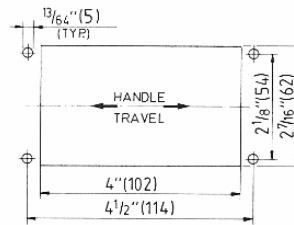
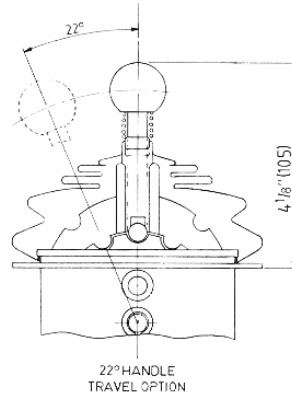
Patent Pending

DIMENSIONS AND PARTS LIST MODEL 2516



ITEM	QTY.	PART NUMBER	DESCRIPTION
1	1	2511 - 0001	Frame (2 Pos. Lock)
1	1	2511 - 0001D	Frame (Neutral Pos. Detent)
1	1	2511 - 0001L	Frame (Neutral Pos. Lock)
2	1	2511 - 0002	Latch
3	1	2511 - 0003	Handle
4	2	2511 - 0004	Link
5	1	2511 - 0005	Rubber Boot
6	*2	2511 - 0007	Spacer
7	1	2030 - 0001	Knob
8	1	2516 - 0001	Valve Body
9	1	2517 - 0002	Retainer Bar
10	1	2517 - 0003	Spool
11	1	3804 - 0003	Seat
12	1	3804 - 0004	Poppet
13	1	3804 - 0005	Retainer
14	*2	2511 - 0006	Pin
15	*4	1029 - 1037	Snap Ring
16	1	1029 - 2050	Snap Ring
17	1	1201 - 0009	Spring
18	1	1201 - 0141	Spring
19	1	1201 - 0147	Spring
20	6	1010 - 0806	Round Hd. Screw
21	2	1001 - 0810	Hex. Hd. Screw
22	2	1022 - 0108	Nut
23	1	1101 - 0012	"O" Ring
24	2	1101 - 0016	"O" Ring

*Qty. may vary



"CUT-OUT DIMENSIONS"

All dimensions in inches (mm)

KOBELT MANUFACTURING
COMPANY LIMITED