

## 2534 DUAL-FUNCTION CONTROL HEAD

The 2534 is a pneumatic control head for a single-handle clutch and throttle control. A 4 3/4" diameter power sheave is incorporated into the control head to allow for a multi-station wire over pulley installation. This eliminates the pneumatic selector systems making all control handles mechanically interconnected and therefore move together. Like the 2544 Control Head, the 2534 consists of a 4-way directional control valve and an accurate compensating, self-relieving pressure regulating valve. All valves are lever-cam actuated.

With the handle in center position, the 4-way valve outputs are vented to atmosphere, and the regulating valve output pressure is at the lowest setting. Movement of the handle through the first 20° in either direction actuates the 4-way valve, delivering full supply pressure to the chosen directional output. Handle movement, beyond 20° actuates the regulating valve, delivering pressure to its output proportional to the handle position. The chosen directional output remains at full supply pressure from 10° to 80° of handle travel.

### APPLICATIONS:

- Used mainly for single handle clutch and throttle control with wire-over-pulley, multi-station installation.

### ORDERING INFORMATION:

#### Model Designation Letter Codes:

- A - Left hand.
- B - Right hand.
- C - One short handle.
- D - One long handle.
- H - With chrome finish dome.
- J - With polished bronze finish dome.
- K - With black epoxy finish dome.
- N - 0 - 60 PSI
- P - 0 - 80 PSI
- Q - With Adjustable Cam(s).
- R - 0 - 100 PSI
- S - 0 - 120 PSI
- T - 10 - 60 PSI
- U - 10 - 80 PSI
- W - 10 - 100 PSI
- X - 10 - 120 PSI

\*Other ranges available on request

The standard model 2534 Control Head is supplied as follows:

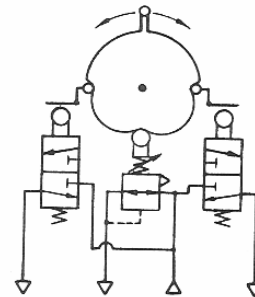
- i. Right Hand Model
- ii. with Long Handle
- iii. with 4 3/4" diameter Power sheave
- iv. 3-position adjustable detent with adjustable holding friction
- v. with Chrome finish cover and handle
- vi. in any standard pressure range.

To order, state model number followed by the desired model designation letter codes.

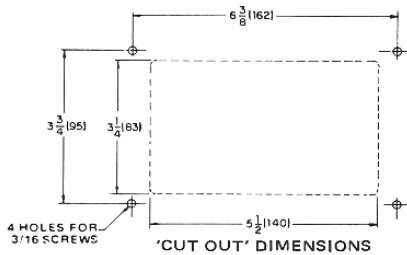
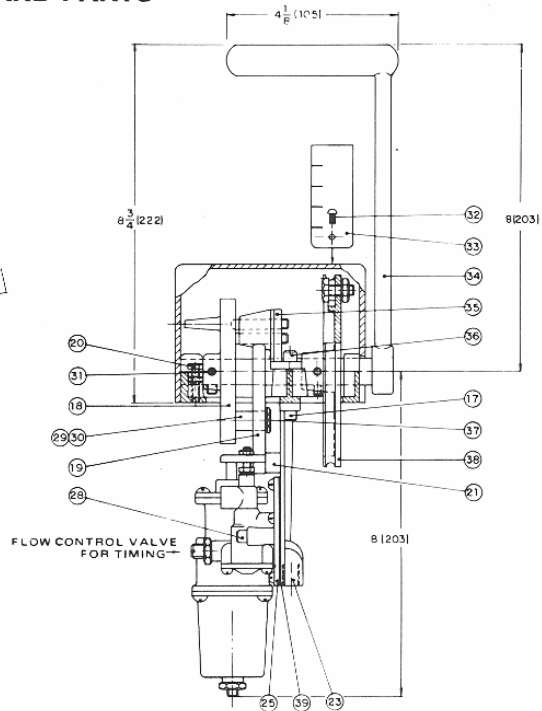
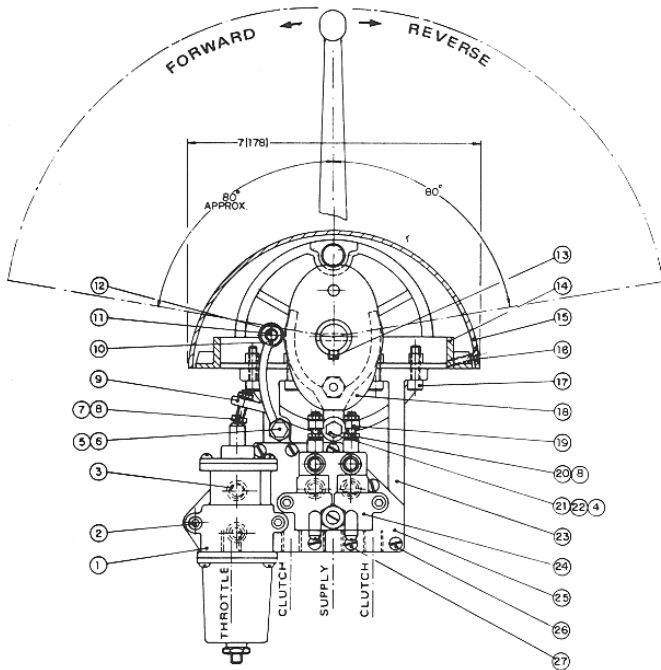
**Example:** Standard 2534 with 10-80 PSIG pressure range; Ordering Number 2534-BDHU.

KOBELT custom designs control heads for special applications. Contact us for further information.

### SCHEMATIC SYMBOL



## DIMENSIONS AND PARTS



NOTE: Left Hand Model has handle installed on the opposite side of the control Head.

ALL DIMENSIONS IN INCHES (MM)

### D-2534

ITEM	QUANTITY	PART NUMBER	DESCRIPTION
1	1	3217-	Valve
2	2	1002-1020	Cap Screw
3	5	1101-0010	O Ring
4	1	1023-0110	Flat Washer
5	1	1001-1022	Cap Screw
6	1	2545-0002	Spacer
7	1	1001-0812	Cap Screw
8	5	1022-0108	Nut
9	1	2545-0001	Roller Arm
10	2	1029-1031	Snap Ring
11	1	2542-0011	Pin
12	1	2542-0003	Roller
13	2	1016-1004	Set Screw
14	1	2534-0001	Frame
15	1	2012-0002	Dome
16	2	1005-0808	Screw
17	4	1002-1008	Cap Screw
18	1	2545-0003	Cam
19	1	2545-0008	Cam
20	4	1001-0808	Cap Screw
21	1	2544-0001	Spacer
22	1	1001-1016	Cap Screw
23	1	2544-0001	Support
24	1	3803-A	Valve
25	1	2544-0003	Plate
26	6	1004-0806	Screw
27	4	1003-0808	Screw
28	2	1002-1018	Capscrew
29	1	2544-0006	Spacer
30	1	2544-0004	Roller
31	2	1024-0814	Pin
32	2	1032-0304	Rivet
33	1	2534-0002	Indicator Strip
34	*	2534-0003	Handle (Long)
34	*	2534-0004	Handle (Short)
35	1	2542-0009	Bracket
36	2	1002-1008	Capscrew
37	1	2544-0005	Shoulder Screw
38	1	2303-0004	Power Sheave
39	1	1103-1004	Gasket

\*OPTIONAL

**KOBELT** MANUFACTURING  
COMPANY LIMITED