

2554 DUAL-FUNCTION CONTROL HEAD 1/8" NPT

DESCRIPTION

The 2554 control head was derived from our model 2544. Its basic function is the same. All components with the exception of the dome and handle are identical. The most common use for this model is to control the main propulsion engines in ships. It is also used to control direction and speed on winches.

After the first 20° of handle travel one of the three way valves will open and engage the clutch. Further movement of the handle will cause the throttle valve to increase the output pressure from idle to full RPM. The pressure settings are adjustable. Various springs are also available to provide several different pressure ranges.

Weight: 9.1 lb. (4.1 kg.)

Materials: Die cast silicon bronze and stainless steel hardware.

Maximum Supply Pressure: 150 PSI (10.34 BAR)

Operating Temperature Range: -40°C. to +90°C.

Pipe Port Size: 1/8" N.P.T.

APPLICATIONS

- Used primarily for the control of throttles or governors and reverse clutches by a single handle.
- For pneumatic control of two mechanisms, one directional and the other proportional, by a single handle.

ORDERING INFORMATION

Model Designations:

- | | | |
|---|---|---|
| C | - | One short handle. |
| D | - | One long handle. (standard) |
| E | - | Spring return handle. |
| H | - | With chrome finish dome. |
| J | - | With polished brass finish dome and handle. |
| K | - | With black epoxy finish dome and chrome handle. |
| N | - | 0-60 |
| P | - | 0-80 |
| R | - | 0-100 |
| S | - | 0-120 |
| T | - | 10-60 |
| U | - | 10-80 |
| W | - | 10-100 |
| X | - | 10-120 |

Standard Pressure
Ranges (PSI)
Other Ranges Available
on Request.

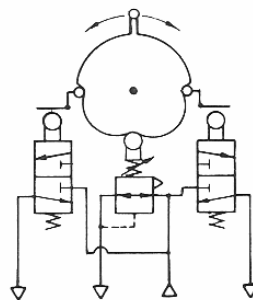
The Standard Model 2554 Control Head is supplied as follows:

- I. Long handle.
- II. With black epoxy finish dome and chrome handle.
- III. In any standard pressure range.

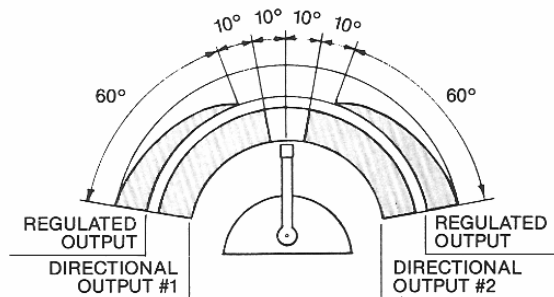
To order, state Model Number followed by the desired Model Designation letter codes:

Example: Standard 2554 with 10-80 PSI pressure range.
Ordering No. is 2554-DKU

SCHEMATIC SYMBOL



OUTPUT PRESSURE VS LEVER TRAVEL



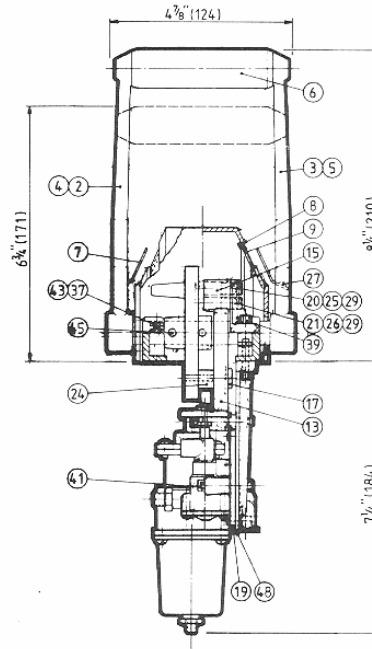
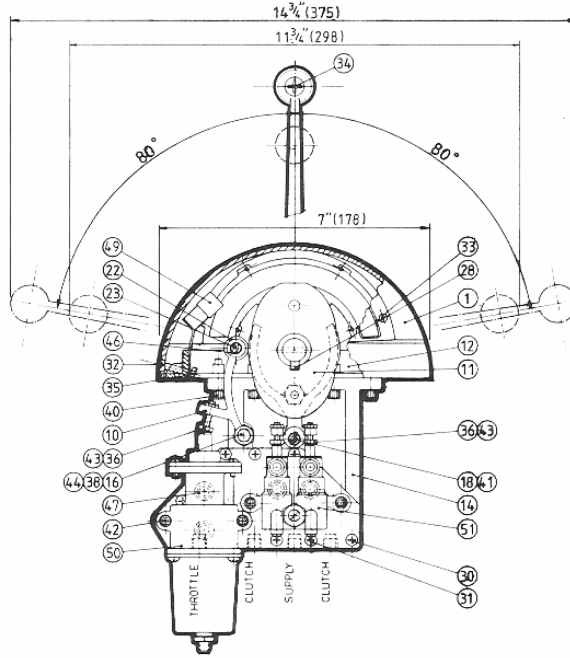
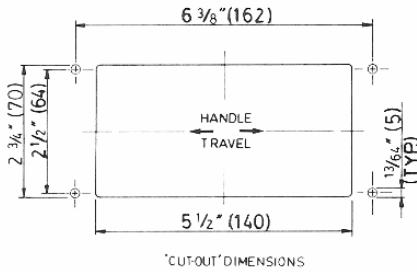
DIMENSIONS AND PARTS
2554

2554

ITEM	QTY.	PART No.	DESCRIPTION
1	1	2553-0001	Dome
2	1	2553-0002	Handle (long)
3	1	2553-0003	Handle (long)
4	1	2553-0007	Handle (short)
5	1	2553-0008	Handle (short)
6	1	2553-0020	Handle Grip
7	2	2553-0018	Pointer
8	2	2553-0006	Scale Retainer
9	1	2553-0014	Scale L.H.
9	1	2553-0015	Scale R.H.
10	1	2545-0001	Roller Arm
11	1	2545-0003	Cam
12	1	2543-0002	Frame
13	1	2545-0008	"Fork" Cam
14	1	2544-0001	Support
15	1	2542-0009	Bracket
16	1	2545-0002	Spacer
17	1	2544-0005	Shoulder Bolt
18	1	2544-0007	Bushing
19	1	2544-0003	Plate
20	1	2545-0012	Detent Pin
21	1	2545-0021	Friction Pad
22	1	2543-0009	Roller
23	1	2542-0011	Snap Ring Pin
24	1	2544-0004	Roller
25	1	1201-0062	Detent Spring
26	1	1201-0002	Friction Spring
27	2	1006-0604	Pan Hd. Screw
28	1	1016-1004	Setscrew
29	2	1016-1205	Setscrew
30	5	1010-0806	Round Hd. Screw
31	3	1009-0806	Flat Hd. Screw
32	2	1005-0808	Oval Hd. Screw
33	16	1011-0406	Oval Hd. Screw
34	2	1011-1016	Oval Hd. Screw
35	2	1001-0804	Hex Hd. Screw
36	3	1001-0808	Hex Hd. Screw
37	2	1001-0812	Hex Hd. Screw
38	1	1001-1028	Hex Hd. Screw
39	2	1001-1008	Socket Hd. Screw
40	4	1002-1010	Socket Hd. Screw
41	3	1002-1020	Socket Hd. Screw
42	2	1002-1024	Socket Hd. Screw
43	5	1022-0108	Nut
44	2	1023-0232	Flat Washer
45	2	1024-0816	Spring Pin
46	2	1029-1031	Snap Ring
47	5	1101-0010	"O" Ring
48	1	2544-0008	Gasket
49	2	6001-0206	Light Socket
*50	1	3217	Pressure Regulating Valve
51	1	3803-B	Four Way Valve

* When ordering valve, specify pressure range as per model codes on reverse side.

A Repair Kit is available consisting of all seals and gaskets. Ordering No. 2554-RK



KOBELT MANUFACTURING
COMPANY LIMITED

ALL DIMENSIONS IN INCHES (mm)