



2570-1 SINGLE HANDLE, DOUBLE LEVER, MECHANICAL REMOTE CONTROL HEAD

DESCRIPTION

The 2570-1 is mostly used for mechanical remote control of pneumatic control heads in the 2570 series. This permits a wire-over-pulley connection from station to station and avoids pneumatic station transfer, shuttle valves, and the necessity of duplicating pneumatic components under each control head. If good sensitivity is required in pitch and throttle positioning, the distance between control heads must be kept at a minimum in order to obtain a reasonably accurate response. In cases where extreme sensitivity is required, mechanical interconnection is not recommended. This control head is also purchased by electronic companies and system manufacturers for the adaptation of other components for electronic and electric control devices.

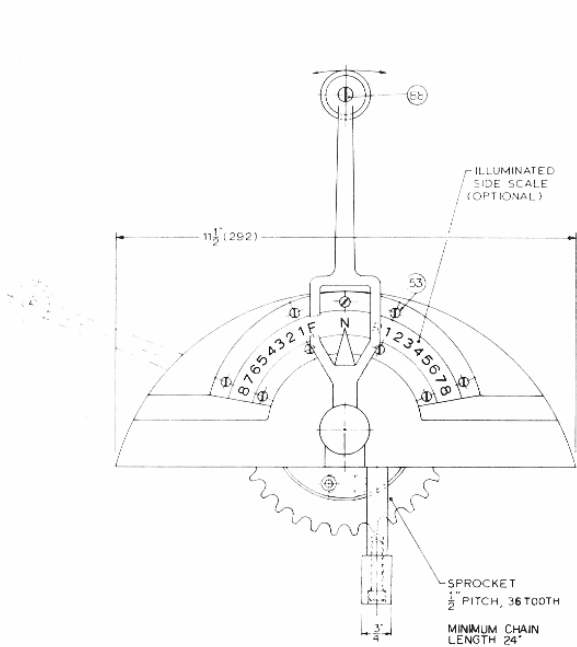
Weight: 15½ lbs. (7.05 kg.)

Materials: Die cast silicon brass and stainless steel hardware

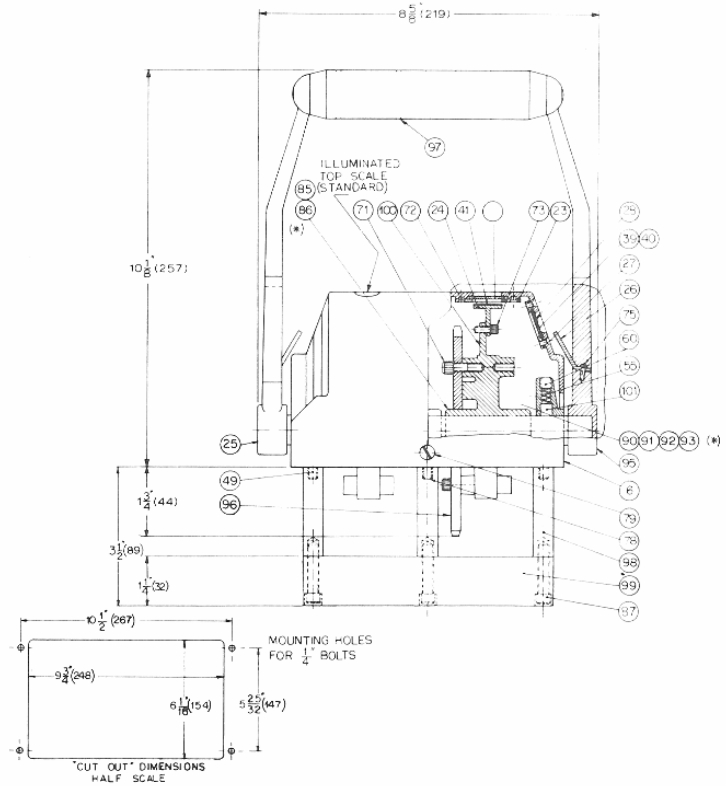
ORDERING INFORMATION

- | | |
|---|-----------------------------------|
| H | With chrome finish dome. |
| J | With polished bronze finish dome. |
| K | With black epoxy finish dome. |
| L | Sprocket drive. |
| M | Top scale. |

To order, state model number followed by the desired model designation letter codes.



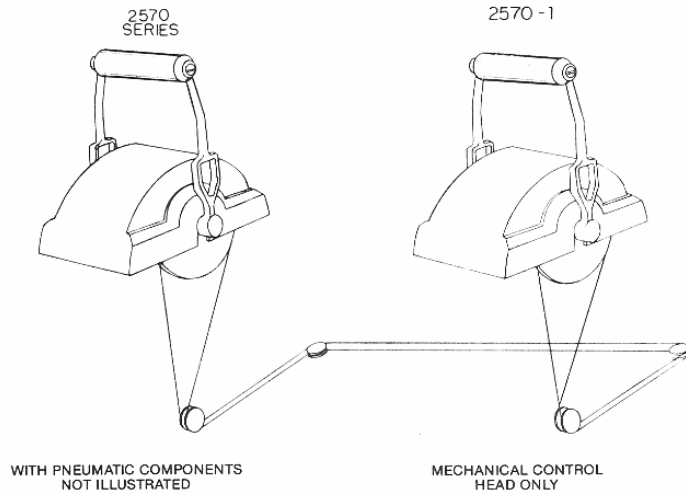
ITEMS 85,86, 90,91,92,93
NOT SHOWN IN THE DRAWING



DIMENSIONS AND PARTS LIST 2570-1

ITEM	QUANTITY	PART NUMBER	DESCRIPTION
4	1	2570-0004	Frame
6**	1	2570-0006	Dome
23	2	2570-0023	Sight Glass Retainer
24	2	2570-0024	Top Scale Support
25	1	2570-0025	Short Shaft Lever
26	2	2570-0026	Indicator Pointer
27*	2	2570-0027	Scale Retainer
28*	2	2570-0028	Scale Cover
29	2	2570-0029	Sight Glass
39*	1	2570-0039	1-8 Scale R.H.
40*	1	2570-0040	1-8 Scale L.H.
41	2	2570-0041	1-8 Scale Top
49	4	1002-1012	Socket Head Screw
53*	20	1005-0404	Screw
55	2	1201-0069	Spring
60	2	1016-1205	Setscrew
71	4	1002-1008	Socket Head Screw
72	8	1006-0603	Screw
73	6	1002-0806	Socket Head Screw
75	2	1006-0605	Screw
79	2	1005-0808	Oval Head Screw
85	3	1024-0820	Spring Pin
86	2	1016-1004	Setscrew
87	3	1002-6020	Socket Head Screw
88	2	1005-1016	Oval Head Screw
90	2	2570-0048	Light Support
91	2	1002-0820	Socket Head Screw
92	4	CM-1815	Lamp Holder
93	2	1023-0108	Washer
95	1	2570-0047	Long Shaft Lever
96	1	2570-0051	Small Bore Sprocket
97	1	2570-0046	Handle
98	3	2570-0052	Spacer
99	1	2570-0053	Bar
101	2	2570-0054	Spider Hub
101	2	2570-0055	Top Friction Pad

*Optional.
**When ordering please specify. Refer to ordering information.



KOBELT MANUFACTURING
COMPANY LIMITED