

2571 SINGLE ENGINE, SINGLE HANDLE, DOUBLE LEVER SLIP CLUTCH AND THROTTLE CONTROL

DESCRIPTION

The 2571 control head was designed for medium and large vessels for reduction gear type propulsion packages where a slip clutch mode is required. This feature will provide a controlled pressure signal to the clutch which will cause the clutch to slip at a desired rate at engine idle speed only. Permission from the gear manufacturer must be obtained to install this type of control as not all pneumatic clutches are designed to operate in a slip mode.

Weight: 31 lbs. (14.09 kg.)
Materials: Die cast silicon brass and stainless steel hardware
Operating Temperature Range: - 40°C. to + 90°C.
Pipe Port Size: 1/4" N.P.T.
Supply Pressure: 150 PSI (10.34 BAR) Max.

ORDERING INFORMATION

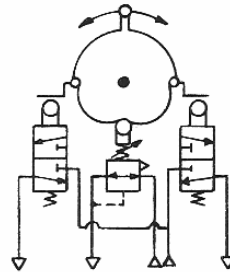
H	With chrome finish dome.
J	With polished bronze finish dome.
K	With black epoxy finish dome.
L	Sprocket drive.
M	Top scale.
N	0 - 60 PSI
P	0 - 80 PSI
Q	With Adjustable Cam(s)
R	0 - 100 PSI STANDARD PRESSURE
S	0 - 120 PSI RANGES (PSI)
T	10 - 60 PSI OTHER RANGES AVAILABLE
U	10 - 80 PSI ON REQUEST.
W	10 - 100 PSI
X	10 - 120 PSI

The control cams in the 2570 series are adjustable and can be altered in the field to accommodate desired pressure ranges within reason. Different spring ratings are also available for any pressure range requirements.

To order, state model number followed by the desired model designation letter codes.

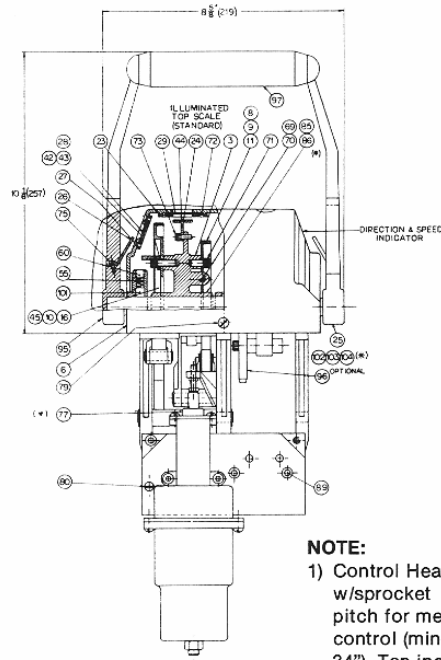
When ordering control heads with optional chain sprocket item #94, top illumination cannot be provided.

SCHEMATIC SYMBOL



ITEM	QTY	PART NUMBER	DESCRIPTION
1***	1	3230	Valve
3	2	2570-0003	Spider Hub
4	1	2570-0004	Frame
5	2	2570-0005	Ports Support
6**	1	2570-0006	Dome
8	1	2570-0008	Cam
9	1	2570-0009	Cam
10	1	2570-0010	Clearance Cam
11	1	2570-0011	Cam
12	1	2570-0012	Roller Arm L.H.
13	1	2570-0013	Roller Arm R.H.
16	1	2570-0016	Cam
17	1	2570-0017	Detent Roller Link
18	1	2570-0018	Detent Spring Retainer
19	1	2570-0019	Speed Setting Link
20	1	2570-0020	Speed Setting Bracket
21	1	2570-0021	Detent Support Bracket
22	1	2570-0022	Travel Stop
23	2	2570-0023	Sight Glass Retainer
24	2	2570-0024	Stop Scale Support
25	1	2570-0025	Short Shaft Lever
26	2	2570-0026	Indicator Pointer
27**	2	2570-0027	Scale Retainer
28*	2	2570-0028	Side Scale Cover
29	2	2570-0029	Sight Glass
30	2	2570-0030	Plate
42*	1	2570-0042	1-6 Scale R.H.
43*	1	2570-0043	1-6 Scale L.H.
44	2	2570-0044	1-6 Scale Top
45	1	2570-0045	5 Detent Cam
46	4	1002-1032	Socket Head Screw
47	1	3804	Valve
48	1	1002-1010	Socket Head Screw
49	4	1002-1012	Socket Head Screw
50	1	1025-0633	Pin
51	2	1001-0812	Pin
52	2	1022-0108	Nut
53*	20	1005-0404	Screw
54	1	1016-1204	Setscrew
55	2	1201-0069	Spring
56	1	2542-0008	Friction Pad
57	1	3403-0010	Roller
58	1	1025-0511	Pin
59	1	1201-0063	Spring
60	2	1016-1205	Setscrew
61	2	1004-0808	Screw
62	4	1029-1031	Snap Ring
63	1	1025-0517	Pin
64	2	1001-1012	Hex Screw
65	1	1025-0652	Pin
66	2	1022-0210	Jam Nut
67	2	1001-1008	Hex Head Screw
68	2	1002-1040	Socket Head Screw
69	2	1016-0812	Setscrew
70	2	1022-0210	Jam Nut
71	12	1002-1008	Socket Head Screw
72	8	1006-0603	Screw
73	6	1002-0806	Socket Head Screw
74	2	2570-0049	Gasket
75	2	1006-0605	Screw
76	4	1023-0232	Washer
77	3	1023-0233	Washer
78	2	1002-1020	Centre Support Screw
79	2	1005-0808	Oval Head Screw
80	4	1004-0808	Round Head Screw
81	2	1025-9901	Pin
82	10	1029-1037	Snap Ring
83	3	1036-9901	Roller
84	1	1025-0611	Pin
85	3	1024-0820	Spring Pin
86	2	1016-1004	Setscrew
88	2	1005-1016	Oval Head Screw
89	4	1002-1010	Socket Head Screw
90	2	2570-0048	Light Support
91	2	1002-0820	Socket Head Screw
92	2	CM-1815	Lamp Holder
93	2	1023-0108	Washer
94*	1	2570-0050	Large Bore Sprocket
95	1	2570-0047	Long Shaft Lever
96*	1	2570-0051	Small Bore Sprocket
97	1	2570-0046	Handle
101	2	2570-0055	Top Friction Pad
102	2	2570-0056	Idler Sprocket
103	2	2570-0057	Chain Bracket
104	2	2570-0058	Chain Bracket

*Optional.
 **When ordering please specify. Refer to ordering information.
 ***Pressure to be specified.



NOTE:
 1) Control Head available w/sprocket - 36 tooth 1/2" pitch for mechanical remote control (minimum chain length 34"). Top indicator void with sprocket drive.
 2) All dimensions in inches (MM)
 3) Custom design scales are available at extra cost.

