

## 2576 SINGLE HANDLE, SINGLE ENGINE, PITCH AND THROTTLE CONTROL HEAD. MID PRESSURE FOR '0' PITCH

### DESCRIPTION

The 2576 single handle control head was designed for a single engine pitch and throttle installation providing infinitely adjustable cams for both pressure ranges in forward and reverse direction. The pitch setting is accomplished with one single pressure regulating valve, with mid pressure providing '0' pitch, low pressure forward direction and high pressure providing reverse pitch setting. Used on medium and large vessels.

Weight: 32 lbs. (14.55 kg.)

Materials: Die cast silicon brass and stainless steel hardware

Operating Temperature Range: - 40°C. to + 90°C.

Pipe Port Size: 1/4" N.P.T.

Supply Pressure: 150 PSI (10.34 BAR) Max.

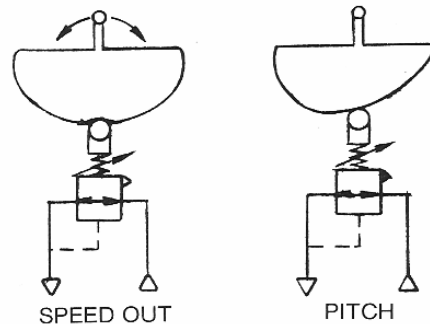
### ORDERING INFORMATION

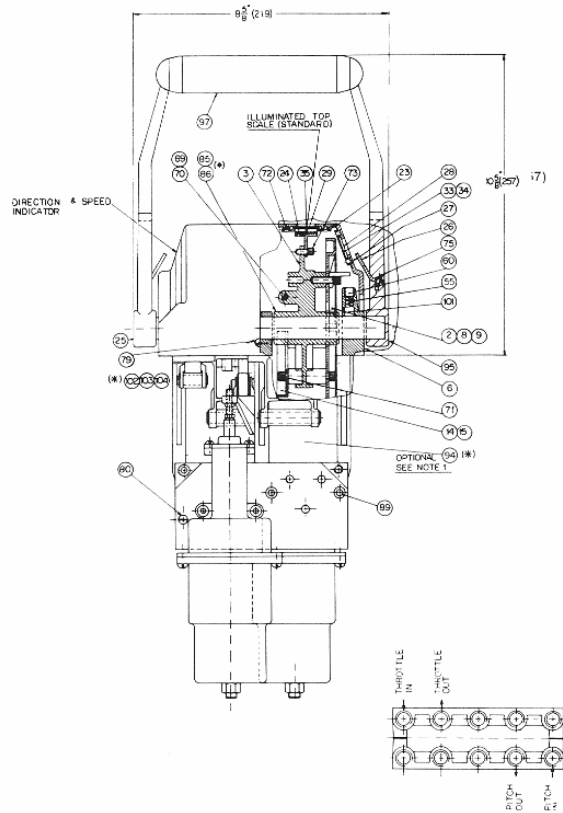
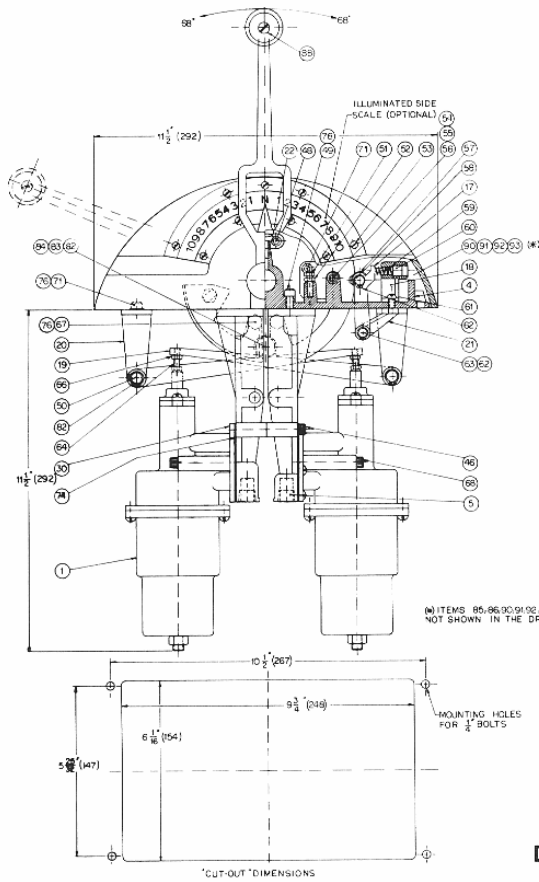
H	With chrome finish dome.
J	With polished bronze finish dome.
K	With black epoxy finish dome.
L	Sprocket drive.
M	Top scale.
N	0 - 60 PSI
P	0 - 80 PSI
Q	With Adjustable Cam(s)
R	0 - 100 PSI
S	0 - 120 PSI
T	10 - 60 PSI
U	10 - 80 PSI
W	10 - 100 PSI
X	10 - 120 PSI

STANDARD PRESSURE  
RANGES (PSI)  
OTHER RANGES AVAILABLE  
ON REQUEST.

The control cams in the 2570 series are adjustable and can be altered in the field to accommodate desired pressure ranges within reason. Different spring ratings are also available for any pressure range requirements. To order, state model number followed by the desired model designation letter codes.

### SCHEMATIC SYMBOL





## DIMENSIONS AND PARTS LIST

### 2576

**NOTE:**

- 1) Control Head available w/sprocket — 36 tooth 1/2" pitch for mechanical remote control (minimum chain length 34"). Top indicator void with sprocket drive.
- 2) All dimensions in inches (MM).

ITEM	QTY	PART NUMBER	DESCRIPTION
1***	1	3230	Valve
2	2	2570-0002	Single Detent Cam
3	2	2570-0003	Spider Hub
4	1	2570-0004	Frame
5	2	2570-0005	Ports Support
6**	1	2570-0006	Dome
8	2	2570-0008	Cam
9	2	2570-0009	Cam
14	2	2570-0014	Cam
15	2	2570-0015	Cam
17	2	2570-0017	Detent Roller Link
18	2	2570-0018	Detent Spring Retainer
19	2	2570-0019	Speed Setting Link
20	2	2570-0020	Speed Setting Bracket
21	2	2570-0021	Detent Support Bracket
22	2	2570-0022	Travel Stop
23	2	2570-0023	Sight Glass Retainer
24	2	2570-0024	Top Scale Support
25	1	2570-0025	Long Shaft Lever
26	2	2570-0026	Indicator Pointer
27*	2	2570-0027	Scale Retainer
28*	2	2570-0028	Scale Cover
29	2	2570-0029	Sight Glass
30	2	2570-0030	Plate
33*	1	2570-0033	1-10 Scale R.H.
34*	1	2570-0034	1-10 Scale L.H.
35	2	2570-0035	1-10 Scale Top
46	2	1002-1032	Socket Head Screw
48	4	1002-1010	Socket Head Screw
49	4	1002-1012	Socket Head Screw
50	2	1025-0633	Pin
51	4	1001-0812	Capscrew
52	4	1022-0108	Nut
53*	20	1005-0404	Screw
54	2	1016-1204	Setscrew
55	4	1201-0054	Spring
56	2	2542-0008	Friction Pad
57	2	3403-0010	Roller
58	2	1025-0511	Pin
59	2	1201-0063	Spring
60	4	1016-1205	Setscrew
61	4	1004-0808	Screw
62	8	1029-1031	Snap Ring
63	2	1025-0517	Pin
64	2	1001-1012	Hex Screw
66	2	1022-0210	Jam Nut
67	2	1001-1008	Hex Head Screw
68	4	1002-1040	Socket Head Screw
69	4	1016-0612	Setscrew
70	4	1022-0208	Jam Nut
71	10	1002-1008	Socket Head Screw
72	8	1006-0603	Screw
73	6	1002-0806	Socket Head Screw
74	2	2570-0049	Gasket
75	2	1006-0605	Screw
76	8	1023-0232	Washer
78	2	1002-1020	Centre Support Screw
79	2	1005-0808	Oval Head Screw
80	4	1004-0808	Round Head Screw
82	8	1029-1037	Snap Ring
83	2	1036-9901	Roller
84	2	1025-0611	Pin
85	3	1024-0620	Spring Pin
86	2	1016-1004	Setscrew
90	2	2570-0048	Light Support
91	2	1002-0820	Socket Head Screw
92	4	CM-1815	Lamp Holder
93	10	1023-0108	Washer
94*	1	2570-0050	Large Bore Sprocket
95	1	2570-0047	Long Shaft Lever
97	1	2570-0046	Handle
101	2	2570-0055	Top Friction Pad
102*	2	2570-0056	Idler Sprocket
103*	2	2570-0057	Chain Bracket
104*	2	2570-0058	Chain Bracket

\*Optional.  
 \*\*When ordering please specify. Refer to ordering information.  
 \*\*\*Pressure to be specified.