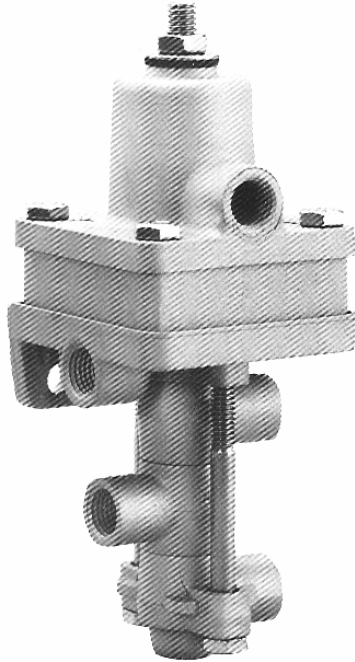


The 3300 series relay valves are all made in bronze and stainless steel and all provide years of trouble free service, in a salt water environment.

This valve is also available with dual piloting on special request.

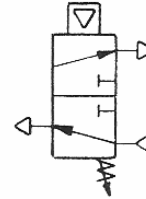


3323 NORMALLY OPEN ADJUSTABLE RELAY VALVE 1/4" NPT

DESCRIPTION

The 3323 is a poppet-type normally open relay valve. The spring keeps this valve in an open position and pilot pressure will close the valve, stopping the air flowing from the source of supply to the device actuated. Because of the 'U' cup and piston arrangement, this valve lends itself extremely well for high pressure pilot signals, (hydraulic and pneumatic). The maximum operating pressure for the pilot chamber and piston is 700 PSI. The maximum control pressure (pneumatic) is 200 PSI. The valve is fully adjustable, and various springs are available, to provide the proper operating range.

SCHEMATIC SYMBOL



SPECIFICATIONS

Weight: 3 lbs. (1.35 kg)

Materials: Die cast silicon bronze and stainless steel hardware.

Maximum Supply Pressure: 200 PSI (13.79 BAR)

Maximum Pilot Pressure: 700 PSI (48 BAR)

Operating Temperature Range: -40°C. to +90°C.

Pipe Port Size: 1/4" N.P.T.

ORDERING INFORMATION

Model Designation

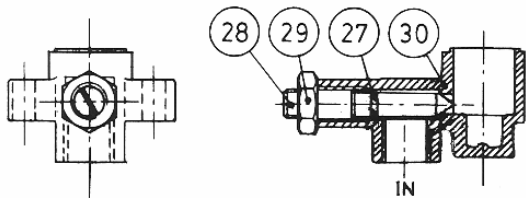
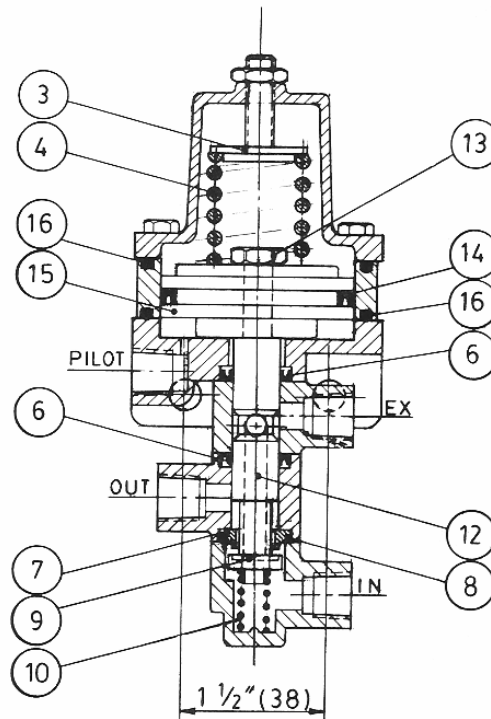
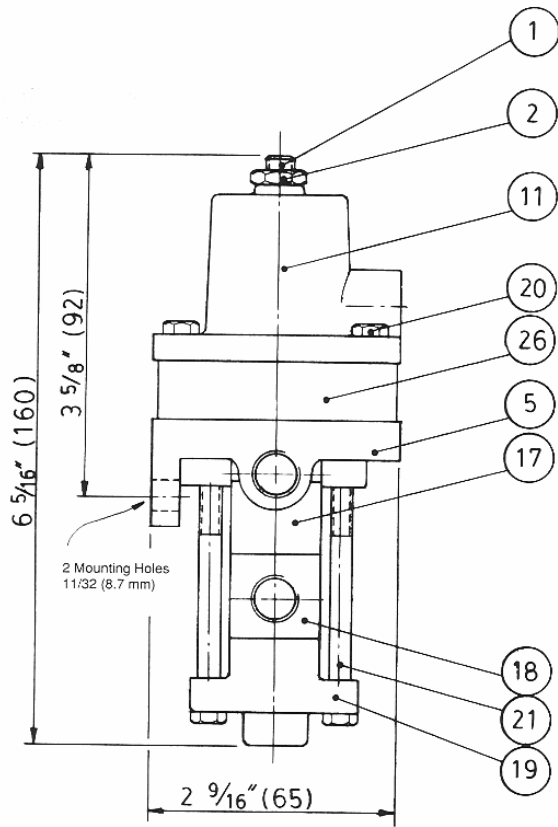
- A - Standard inlet cap
- B - With flow control inlet cap
- C - Heavy spring 40-120 PSI range
- CC - Extra heavy spring 100-160 PSI range
- D - Light spring 25-60 PSI range
- DD - Extra light spring 10-20 PSI range
- E - Left hand model
- F - Right hand model

The standard Model 3323 Relay Valve is supplied as follows:

- I. Standard inlet cap
- II. Heavy spring 40-120 PSI range
- III. Left or right hand model

To order state model number followed by desired Model Designation letter codes.

Example: To order a 3323 standard left hand model. Ordering number: 3323 ACE



ALTERNATIVE INLET CAP WITH FLOW CONTROL

| ITEM | QTY. | PART No. | DESCRIPTION |
|------|------|-----------|------------------------|
| 1 | 1 | 1016-1116 | Set Screw |
| 2 | 1 | 1022-0211 | Jam Nut |
| 3 | 1 | 3325-0001 | Retainer |
| *4 | 1 | 1201-0050 | Spring 10-20 PSI |
| *4 | 1 | 1201-0010 | Spring 25-60 PSI |
| 4 | 1 | 1201-0012 | Spring 40-120 PSI |
| *4 | 1 | 1201-0030 | Spring 100-160 PSI |
| 5 | 1 | 3325-0013 | Vent Port (Right Hand) |
| 5 | 1 | 3325-0002 | Vent Port (Left Hand) |
| 6 | 2 | 1102-0005 | "U" Cup |
| 7 | 1 | 3804-0004 | Seat |
| 8 | 1 | 1101-0016 | "O" Ring |
| 9 | 1 | 3804-0004 | Poppet |
| 10 | 1 | 1201-0009 | Spring |
| 11 | 1 | 3325-0005 | End Cap |
| 12 | 1 | 3325-0015 | Spool |
| 13 | 1 | 1022-0262 | Jam Nut |
| 14 | 1 | 1102-0021 | "U" Cup |
| 15 | 1 | 3326-0008 | Piston |
| 16 | 2 | 1101-0139 | "O" Ring |
| 17 | 1 | 3325-0008 | Exhaust Port |
| 18 | 1 | 3325-0009 | Outlet Port |
| 19 | 1 | 3325-0010 | Inlet Cap |
| 20 | 4 | 1001-1020 | Hex. Hd. Capscrew |
| 21 | 2 | 1001-1044 | Hex. Hd. Capscrew |
| 26 | 1 | 3326-0009 | Spacer |
| *27 | 1 | 1101-0008 | "O" Ring |
| *28 | 1 | 3325-0011 | Needle |
| *29 | 1 | 1022-0262 | Jam Nut |
| *30 | 1 | 3325-0012 | Inlet Cap |

*Optional

ALL DIMENSIONS IN INCHES (mm)

KOBELT MANUFACTURING COMPANY LIMITED

A Repair Kit is available consisting of all seals. Ordering number: 3323-RK