

CDN PATENT NO.  
11176140  
U.S. PATENT NO.  
4474075

**PATENT PENDING**

## 3514 TWO POSITION, THREE WAY CONTROL VALVE ASSEMBLY

### DESCRIPTION

The model 3514 control valve assembly was especially designed for modern machinery requiring numerous pneumatic remote controls such as clutches, brakes and one-way cylinders and actuators of various descriptions (not pressure compensated). The space saving design and ease of use will permit very close-quarter installations and therefore avoid large control panels. The handle lock (patented) will allow ease of operation of this small valve even when wearing heavy hand protection which is required in cold weather. If the handle lock is not required, the latch plate is not installed when mounting the valve.

**Weight:** 1.1 lb. (.5 kg.)

**Materials:** Die cast silicon bronze and stainless steel hardware

**Maximum Supply Pressure:** 200 PSIG (13.79 BAR)

**Operating Temperature Range:** - 40°C to + 90°C.

**Pipe Port Size:** 1/8" N.P.T.

### ORDERING INFORMATION

#### Model Designations

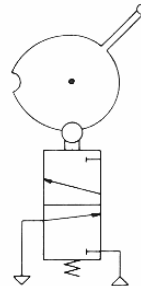
- A — Left hand model
- B — Right hand model
- H — With chrome finish dome
- J — With polished brass finish dome and handle
- K — With black epoxy finish dome and chrome handle

The standard model 3514 control head is supplied as follows:

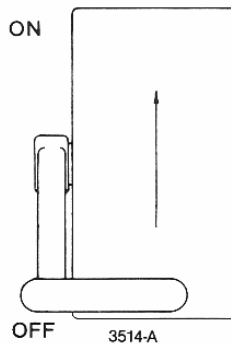
- i. With handle lock
- ii. Right hand model
- iii. With chrome finish cover and handle

To order, state model number 3514 followed by the desired Model Designation Letter Codes.

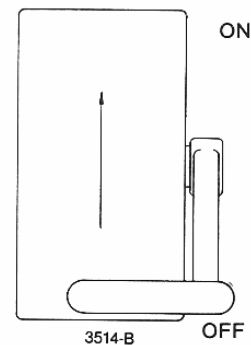
**Example:** Standard model 3514 control valve assembly. Ordering Number 3514-BH.



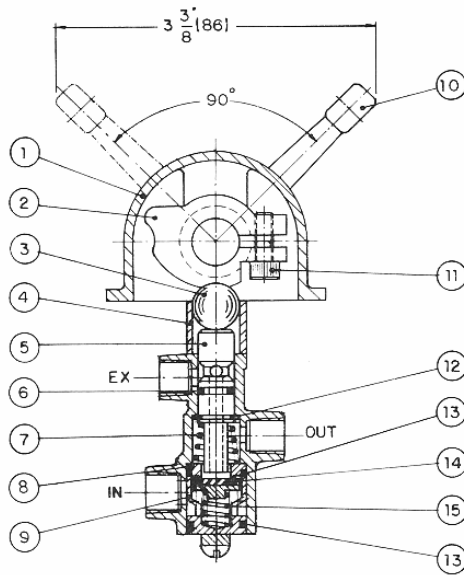
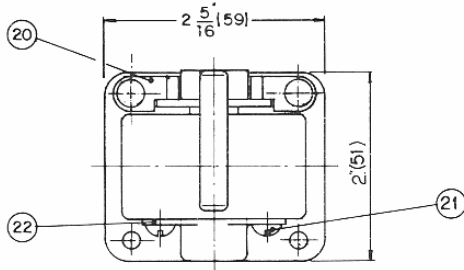
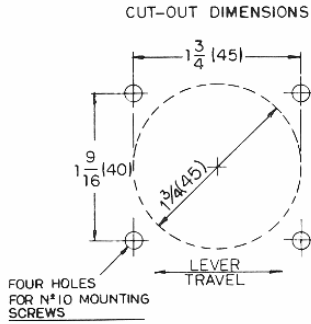
**LEFT HAND MODEL**



**RIGHT HAND MODEL**



## DIMENSIONS & PARTS 3514

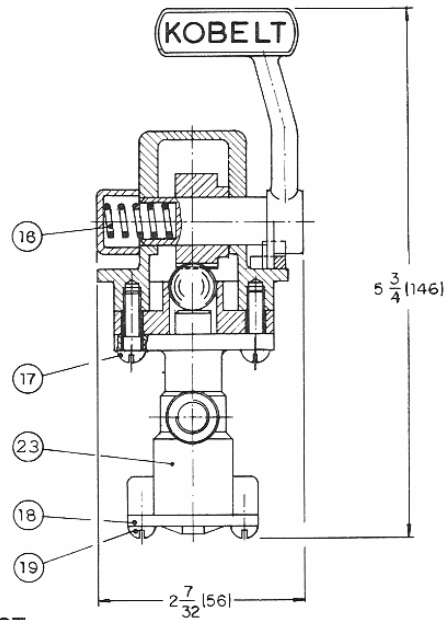


**ALL DIMENSIONS IN INCHES (MM)**  
DIMENSIONS ARE FOR REFERENCE AND SUBJECT TO CHANGE WITHOUT NOTICE UNLESS CERTIFIED

3514

ITEM	QUANTITY	PART NUMBER	DESCRIPTION
1	1	3514-0001	Dome
2	1	3514-0002	Cam
3	1	1301-0016	Ball
4	1	3514-0003	Ball Housing
5	1	3803-0001	Spool
6	1	1101-0010	"O" Ring
7	1	1201-0013	Spring
8	1	3803-0003	Seat
9	1	3803-0005	Retainer
10	1	3514-0004	Handle
11	1	1002-0010	Socket Head Capscrew
12	1	1029-2037	Snap Ring
13	2	1101-0014	"O" Ring
14	1	3803-0004	Poppet
15	1	1201-0004	Spring
16	1	1201-0037	Spring
17	2	1004-0810	Socket Head Capscrew
18	1	3803-0007	End Cap
19	2	1010-0806	Screw
20	1	3514-0005	Locking Bracket
21	2	1004-0804	Screw
22	1	3514-0006	Spring Housing
23	1	3516-0004	Valve Body

A Repair Kit is available  
consisting of all seals  
Ordering No. 3514-RK



**KOBELT** MANUFACTURING  
COMPANY LIMITED