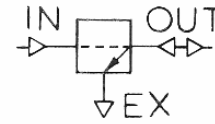


SCHEMATIC SYMBOL

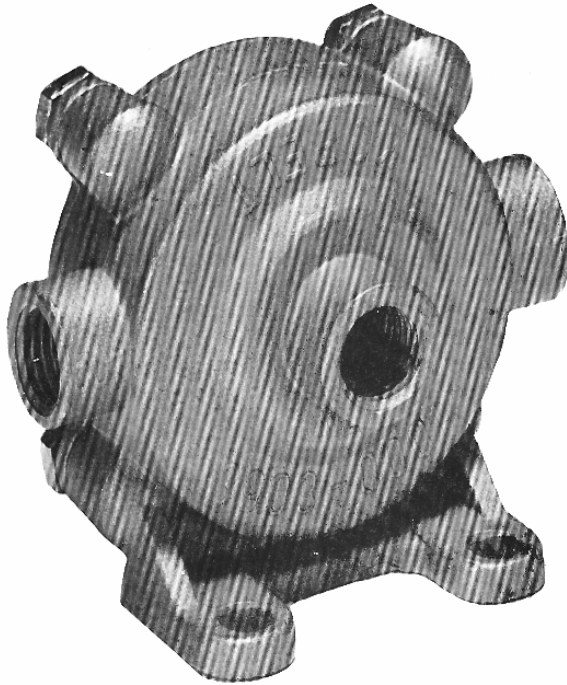


DIMENSIONS AND PARTS

3903

ITEM	QUANTITY	PART NUMBER	DESCRIPTION
1	1	3903-0001	Body
2	1	3903-0002	Piston
3	1	1105-0001	Diaphragm
4	4	1001-1008	Capscrew
5	1	1101-0033	"O" Ring
6	1	3903-0003	End Cap
7	1	1201-0014	Spring

A Repair Kit is available consisting of all seals  
Ordering No. 3903-RK



**MODEL 3903 QUICK  
RELEASE VALVE 1/4" NPT**

**DESCRIPTION**

The 3903 Quick Release Valve is installed in a pneumatic system to provide fast exhausting of air from lines, actuators and accumulators. Exhaust air is vented directly from large valve orifices instead of going back through the control valves.

**Weight:** 0.9 lb. (428 g.)

**Materials:** Die cast silicon bronze and stainless steel hardware

**Operating Temperature Range:** -40°C to +90°C.

**Maximum Operating Pressure:** 200 PSI (13.79 BAR)

**Pipe Port Size:** In and Out Ports - 1/4" N.P.T.

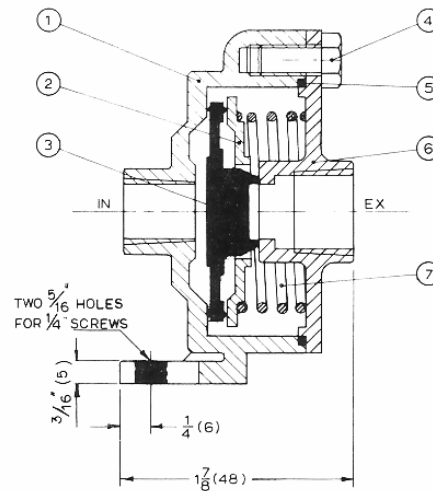
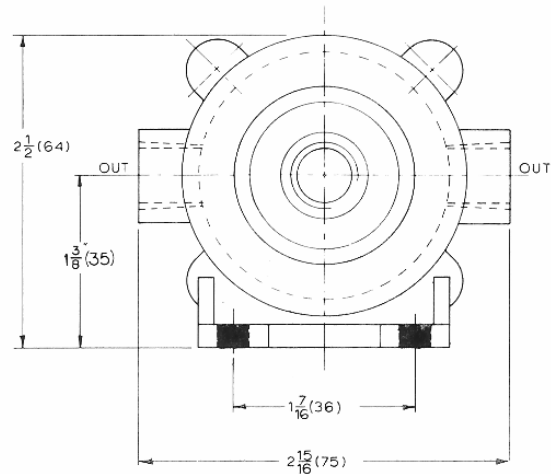
Exhaust Port - 3/8" N.P.T.

**APPLICATIONS**

- Fast release of air applied brakes.
- Fast setting of fail safe devices.

**ORDERING INFORMATION**

To order state Model Number 3903.



ALL DIMENSIONS IN INCHES (MM.)

1987 PRINTED IN CANADA