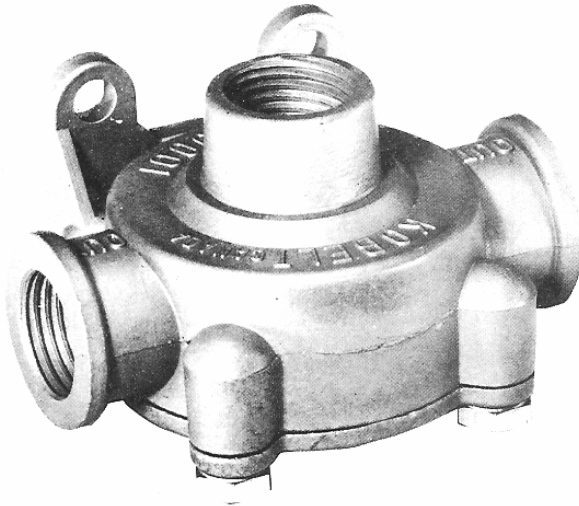


## 3905 QUICK RELEASE VALVE 1/2" NPT



### DESCRIPTION

The 3905 Quick Release Valve is installed in a pneumatic system to provide fast exhausting of air from lines, actuators and accumulators. Exhaust air is vented directly from large valve orifices instead of going back through the control valves.

**Weight:** 1.1 lb. (490 g)

**Materials:** Die cast silicon bronze and stainless steel hardware.

**Operating Temperature Range:** -40°C to +90°C.

**Maximum Operating Pressure:** 200 PSI (13.79 BAR)

**Pipe Port Size:** In and Out Ports: 1/2" N.P.T.  
Exhaust Port: 1/2" N.P.T.

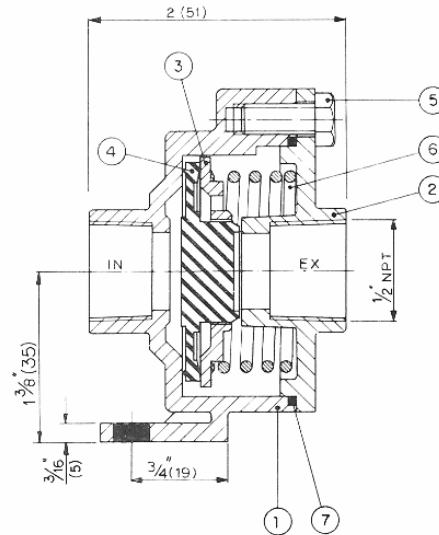
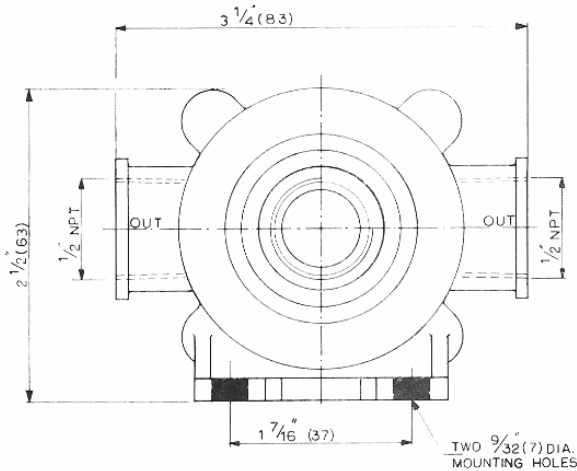
### APPLICATIONS

- Fast release of air applied brakes.
- Fast setting of fail safe devices.

### ORDERING INFORMATION

To order state Model Number 3905

### DIMENSIONS & PARTS 3905



3905			
ITEM	QUANTITY	PART NUMBER	DESCRIPTION
1	1	3905-0001	Valve Body
2	1	3905-0002	End Cap
3	1	3905-0003	Piston
4	1	1105-0002	Diaphragm
5	4	1001-1008	Capscrew
6	1	1201-0014	Spring
7	1	1101-0033	"O" Ring

A Repair Kit is available consisting of all seals  
Ordering No. 3905-RK

### SCHEMATIC SYMBOL

