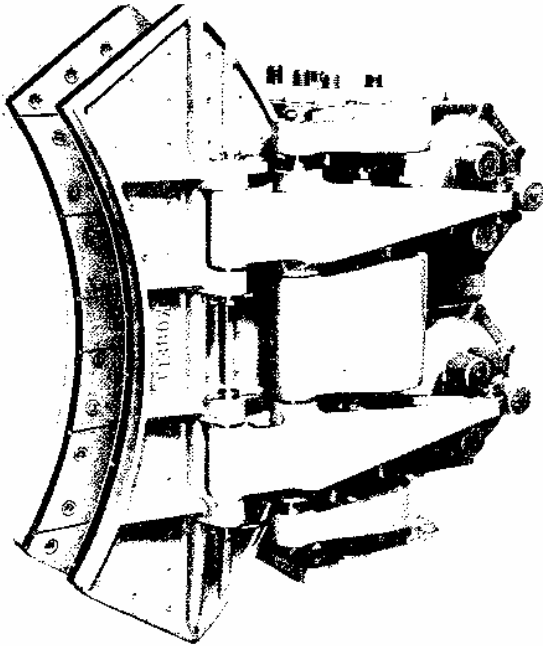


AIR ACTUATED DISC BRAKES CALIPER No. 5038 INDUSTRIAL BRAKE



CALIPER

Total normal force	33,600 lb (15,270 Kg)
Total shoe area	224 in ² (1445 cm ²)
Allowable shoe wear	0.56 in (14 mm)
Maximum air pressure	100 psi (7.03 Kg/cm ²)
Maximum power input	530 hp (400.6 Kw)
Assembly weight	180 lb (82 Kg)

DESCRIPTION

Caliper model 5038 is available in an air applied type which requires an air supply and a pressure regulator. Torque and stopping characteristics can be adjusted to suit customer requirements by varying the air pressure.

Caliper 5038 is also available in a Fail-Safe version, similar to model 5034, where a spring supplies the braking force and an applied air pressure releases the brake. In the Fail-Safe version only 60% of the braking torque is available compared to the air applied model.

This caliper also is equipped with the balancing link to ensure even lining wear.

DISC — 4" (102 mm)

Disc Dia. In. mm	25 (635)	30 (762)	35 (889)	40 (1016)	48 (1219)
Acting Rad. Ft. mm	0.75 (229)	0.96 (292)	1.17 (357)	1.37 (417)	1.71 (521)
Max. RPM	2200	1800	1500	1300	1100
*HP — Sec. (Kw — Hr.)	26,000 (323.2)	33,000 (410.2)	40,000 (497.2)	47,000 (581.2)	60,000 (745.8)

KOBELT BRAKES ARE PROTECTED UNDER ONE OR MORE OF THE FOLLOWING PATENTS:

U.S. PATENT Nos.	CAN. PATENT Nos.
3722636	895693
3815471	922603
4013148	1069066
4060153	1072025
4164993	
4121697	
4108285	
4236608	

NOTE:

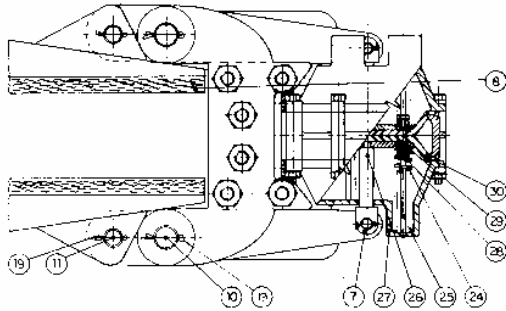
Specifications in metric units shown in parentheses.

*Figures are based on a continuous application of braking force. Allowable values will be higher for one-stop applications where disc is allowed to cool.

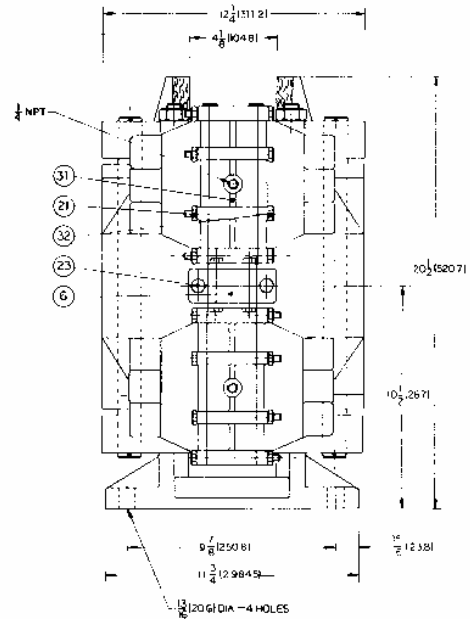
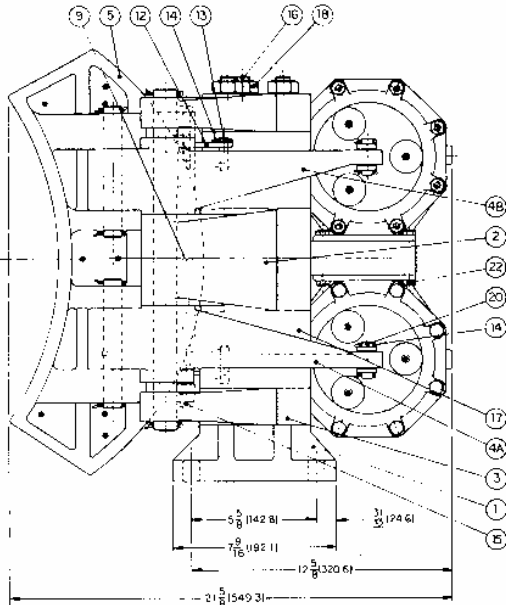
For more detailed technical information refer to Kobelt's General Engineering section on disc brakes.

FURTHER PATENTS PENDING.

DIMENSION AND PARTS 5038



5038			
ITEM	QUANTITY	PART NUMBER	DESCRIPTION
1	1	5038-0001	Foot mounting base
2	1	5038-0002	Saddle centre
3	2	5038-0003	Saddle end
4a	2	5038-0004A	Lever
4b	2	5038-0004B	Lever
5	2	5038-0005	Brake shoe
6	1	5038-0006	Pot mounting brkt.
7	4	4325-0001	Clevis
8	2	5038-0008	Lining
9	36	1033-1008	Rivet
10	2	1035-16248	Pivot pin
11	4	1035-1492	Shoe pin
12	2	5038-0012	Balancing link
13	2	1035-0612	Balancing link pin
14	12	1026-0512	Cotter pin
15	2	1001-1024	Capscrew
16	6	5038-0016	Tie rod
17	2	5038-0017	Saddle spacer
18	6	1022-0117	Nut
19	12	1026-0820	Cotter pin
20	4	1035-0824	Actuator pin
21	16	1022-0111	Nut
22	8	1001-1012	Capscrew
23	2	1001-1116	Capscrew
24	12	1201-0058	Spring
25	12	4325-0006	Spring guide rod
26	4	4325-0005	Push rod
27	4	4325-0002	End cap
28	12	1022-0316	Lock nut
29	4	4325-0004	Spring cap
30	4	1105-0024	Diaphragm
31	2	4325-0003	Centre housing
32	16	1001-1104	Capscrew



ALL DIMENSIONS IN INCHES (MM)

NOTE: All data on this brake selection sheet are for reference and estimating purposes only. To ensure against the hazards of brake misapplication, the Customer is urged to fill out the Customer Application Data sheet and include it with each enquiry.