



## **MODEL 6505 Electronic Control Head**

The 6505 Electronic Control Head was developed to accommodate customers with limited space on their control consoles. The 6505, capable of controlling two engines, is of a very compact design yet offers all the features and accuracy of our bigger models.

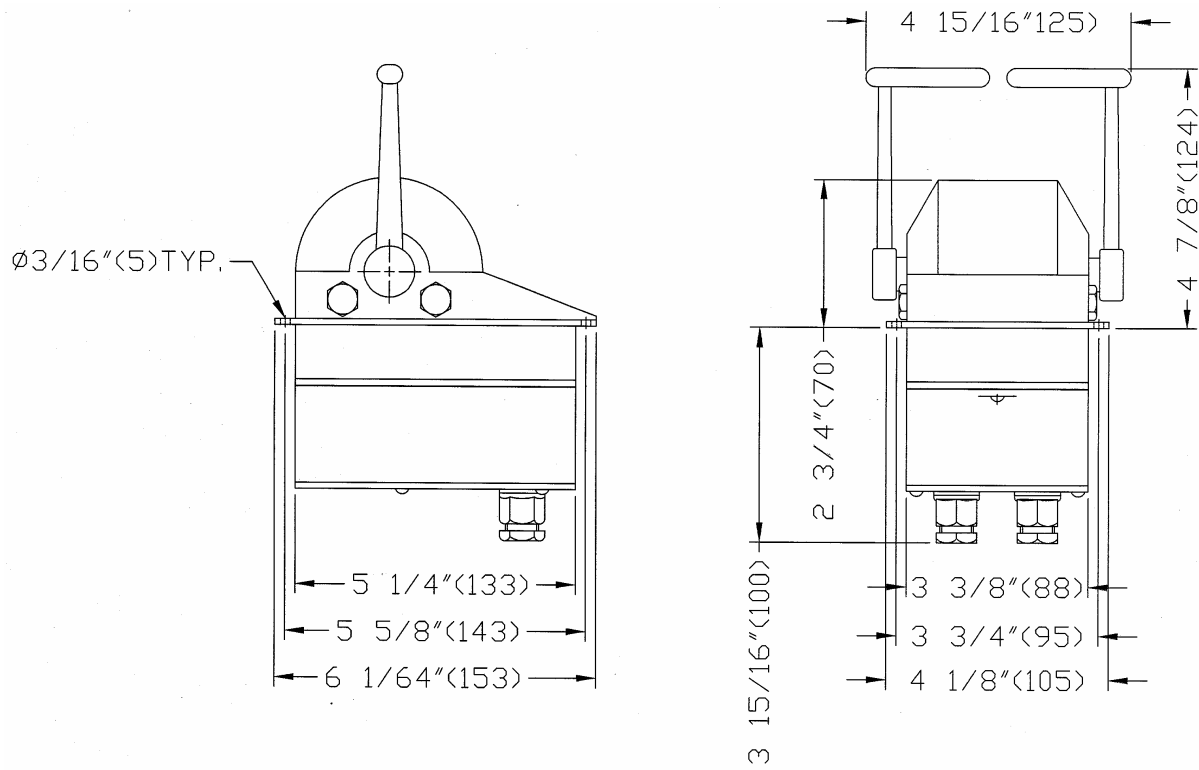
The housing and handles (available in either long or short length) are constructed in all bronze and stainless steel respectively. The standard unit is available in either chrome, black epoxy or polished bronze finish. Optional self-adhesive side scales are available.

It incorporates the latest electronic technology with pad buttons, which are water tight, come standard with Station Accept, Station Lock, Throttle Override and Engine Synchronizer. The unit is totally water tight from the top side and can be used anywhere on board ship. The bottom side, however, must be protected from the environmental elements.

### **Ordering Options**

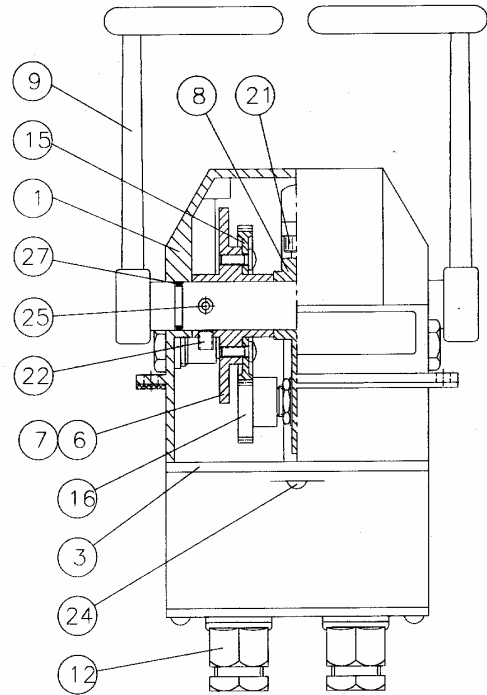
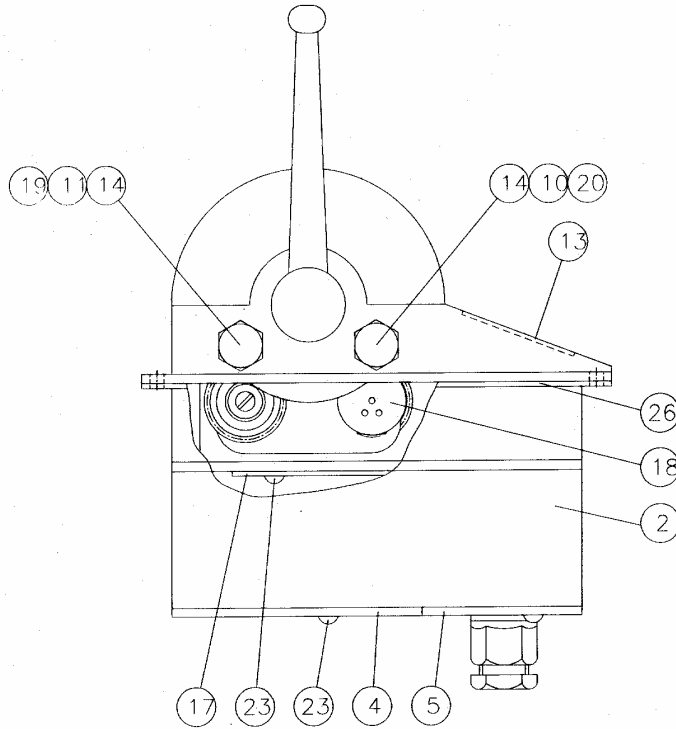
B = Black  
C = Chrome  
L = Polish Bronze  
S = Single engine  
T = Twin engine

# MODEL 6505



All dimensions in inches (mm)

# Parts List Model 6505



Item	Qty	Part Number	Description	Item	Qty	Part Number	Description
1	1	6505-0001	Dome	15	2	6505-3264	Spur Gear
2	1	6505-0002	Lower Box	16	2	YPB-3232	Gear
3	1	6505-0003	Mounting Frame	17	1	6525-1001-C	Circuit Board
4	1	6505-0004L	Cover Plate - large	18	2	Pot-5	Potentiometer 6639S-5K
5	1	6505-0004S	Cover Plate - small	19	2	1201-0205	Friction Spring
6	1	6505-0005L	Cam - left	20	2	1201-0206	Detent Spring
7	1	6505-0005R	Cam - right	21	2	1002-0808	Socket Hd Cap Screw
8	1	6505-0006	Bracket	22	2	1016-0804	Hex Socket Set Screw
9	2	6505-0007	Handle	23	12	1012-0604	Pan Hd Philips M.S.
10	2	2009-0011	Detent	24	2	1012-0608	Pan Hd Philips M.S.
11	2	2542-0008	Friction plug	25	2	1024-0816	Spring Pin
12	2	6001-0249	Connection Gland	26	1	6505-0010	Gasket
13	1	6509-0019	Membrane Switch	27	2	1101-0014	"O" Ring
14	4	6509-0007	Detent Plug				