



6527-3000 Manual Override for Electronic Controls

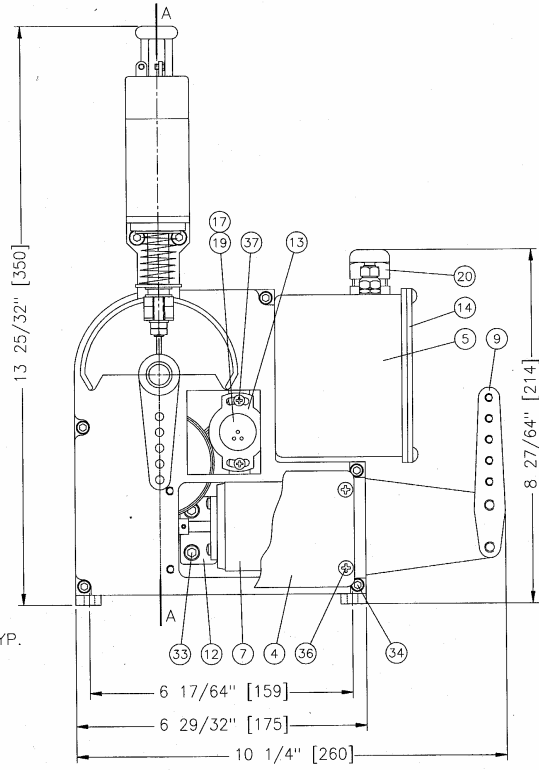
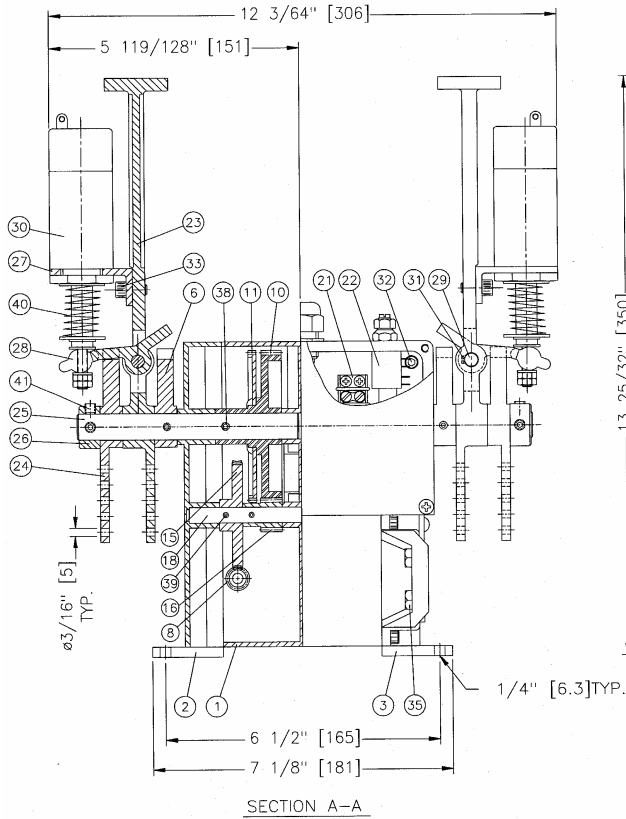
The purpose of this apparatus is to override the electronic controls. The main feature incorporating the system is that the remote mechanical control (which can cause extra drag on the electronic actuator) is not actuated by the electronic control.

When in electronic mode the coil on the override unit is energized, pulling the plunger into the magnet and engaging the toggle into the notch of the electronic output cam, which means that the mechanical control connected to cable 'B' is no longer engaged. Cable 'A', which is connected to the engine, is now operated by the electronically controlled actuator.

If the electronic control system is de-energized, the plunger will go into an extended position engaging the toggle to the mechanical control and therefore disengaging the electronically driven control cam, allowing the remote mechanical control to operate the gear box or the engine directly. An extended output shaft needs to be attached to the actuators control mechanism. In order to get the apparatus installed on a Kobelt actuator, *it must be ordered from the factory as a combination unit.*

During the transfer from electronic to mechanical or back, it is likely that the toggle will not engage into the notch. The live control must be moved forward or backward until it reaches the correct position and then it will engage by itself.

MODEL 6527-3000



ALL DIMENSIONS IN INCHES (MM)

Item	Qty	Part No.	Description	Item	Qty	Part No.	Description
1	1	6527-0001	Centre Housing	22	2	6002-4000	Trim Pot - 95A2AB28A10A10
2	1	6527-0002	Side Housing	23	2	6527-3001	Disconnect Cam Lever
3	1	6527-0003	Side Housing	24	2	6527-3002	Electronic Disconnection Arm
4	2	6527-0004	Cover	25	2	6527-3003	Shaft
5	1	6527-0005	Connection Housing	26	2	6527-3004	Locking Spacer
6	2	6527-0006	Disconnect Cam	27	2	6527-3005	Solenoid Support
7	2	Motor-14201	Motor Pittman 24VDC	28	2	6527-3006	Disconnection Cam
8	2	6524-0019	Worm	29	2	6527-3007	Roller Pin
9	2	6527-0009	Stationary Arm	30	2	6527-3008	Solenoid
10	2	6527-0010	Spur Gear	31	4	1029-1031	Snap Ring
11	2	6527-0011	Feedback Gear	32	4	1002-0806	Hex Socket Hd Cap Screw
12	2	6527-0012	Motor Bracket	33	4	1002-1008	Hex Socket Hd Cap Screw
13	2	6527-0013	Potentiometer Bracket	34	10	1002-0808	Hex Socket Hd Cap Screw
14	1	6527-0014	Cover	35	4	1001-1012	Hex Hd Cap Screw
15	2	6527-0015	Worm Gear	36	22	1010-0806	Round Hd Phillips Screw
16	2	6524-0021	Pinion	37	20	1012-0606	Pan Head Phillips Screw
17	2	6524-0022	Potentiometer Drive Gear	38	4	1024-0818	Spring Pin
18	2	6527-0018	Shaft	39	4	1024-0512	Spring Pin
19	2	Pot-2	Potentiometer 6639S 5K	40	2	1201-0176	Spring
20	1	6001-0249	Connection Gland	41	4	1016-1004	Hex Socket Set Screw
21	2	6009-0008	Terminal Block Cinch 8-140				