

MODEL 7030 SIDE MOUNT STEERING CYLINDER FOR OUTBOARD MOTORS

The **7030** Steering Cylinder is intended to be attached to the tilt tube which is equipped with 7/8" NF thread. The **7030** cylinder rod passes through the tilt tube and is screwed on the 7/8" NF thread then locked in position with a setscrew to prevent it from rotating. The regular link supplied by the outboard motor makers is then attached between the tiller arm and the hole provided at the end of the cylinder rod to steer the outboard motor.

Kobelt Manufacturing also manufactures helm pumps. Ideally, the helm pump for this application is the **7031** which is a fixed displacement pump and provides 2 cu. in. of fluid volume per turn. If more volume at less turns is required, our **7003** and **7005** helm pumps can be employed.

The 7030 side mount cylinder is constructed totally in bronze and stainless steel with a hard chromed piston rod and will provide years of trouble-free service.

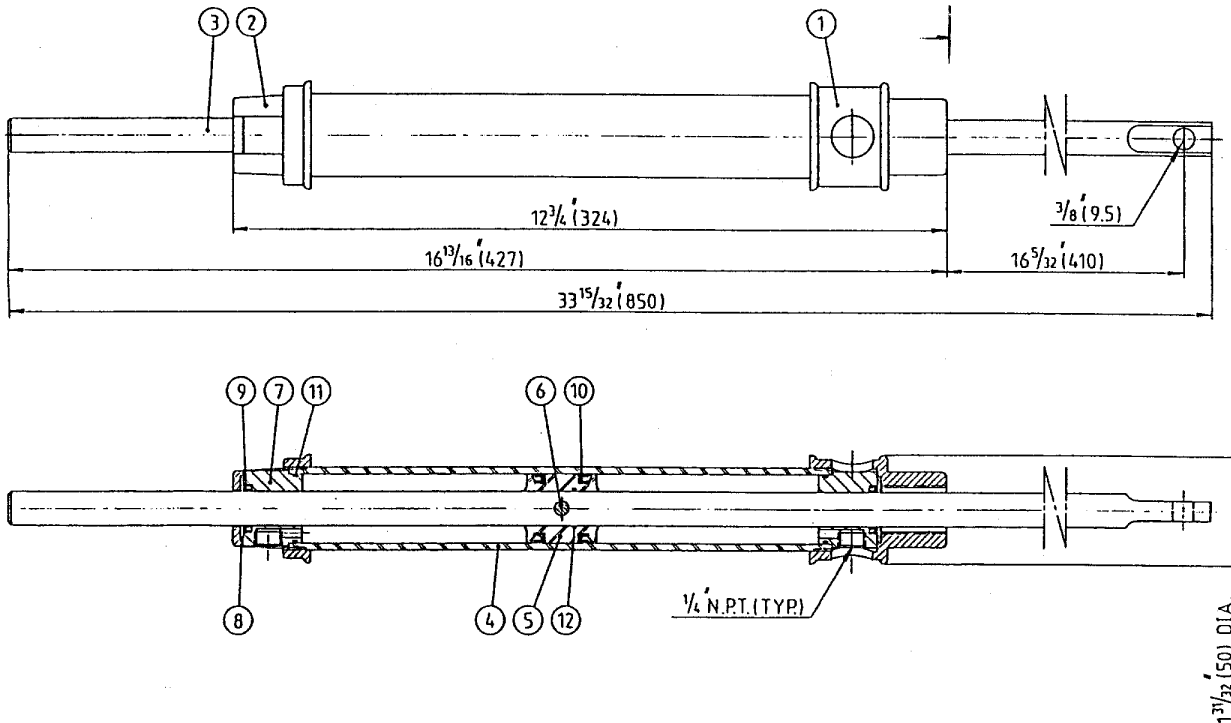
Specifications:

Maximum Pressure:	1000 p.s.i. (103 bar)
Cylinder I.D.	1-1/4" (31.8 mm)
Cylinder Stroke:	8" (203 mm)
Effective Piston Area:	.921 in² (5.9 cm²)
Pipeport Size:	1/4" N.P.T.
Weight:	6.6 lb (3 kg)
Volume:	7.368 in³ (120.7 cm³)

DIMENSIONS AND PARTS LIST

MODEL 7030

ITEM	QTY	PART NUMBER	DESCRIPTION
1	1	7030-0001	End Cap - mounting
2	1	7030-0002	End Cap
3	1	7030-0003	Piston Rod
4	1	7030-0004	Tube
5	1	7030-0005	Piston
6	1	7030-0006	Pin
7	1	7030-0007	Shaft Guide
8	2	7030-0008	Retainer Washer
9	2	1102-3006	"U" Cup
10	2	1102-0018	"U" Cup
11	2	1101-0024	"O" Ring
12	1	1101-0016	"O" Ring



ALL DIMENSIONS IN INCHES (MM)

KOBELT MANUFACTURING
COMPANY LIMITED