

## MODEL 7169 ELECTRO CONTROLLER (MULTI PURPOSE)



This unit is ideally suited for many marine and industrial applications such as bow thruster, steering gear and winch control, as well as the control of hydraulic servo devices and even C.P. propulsion and throttle controls.

Operation of the lever moves the potentiometer and also contacts a make and break micro-switch in the mid-position.

The potentiometer can be customer installed or factory supplied. Various potentiometers and gear ratios are available to suit customer requirements. The unit is available in either spring return to mid-position or neutral detent. In neutral detent style the lever can be left in any position.

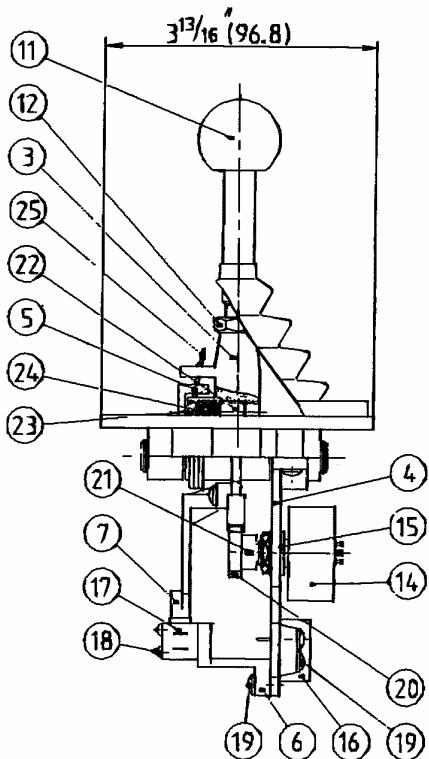
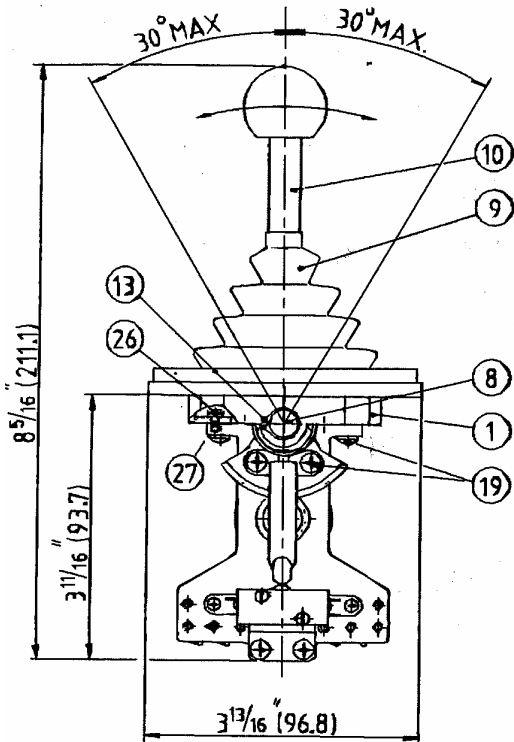
The unit is compact and all components are made in bronze or stainless steel which will give years of trouble-free service.

### ORDERING OPTIONS

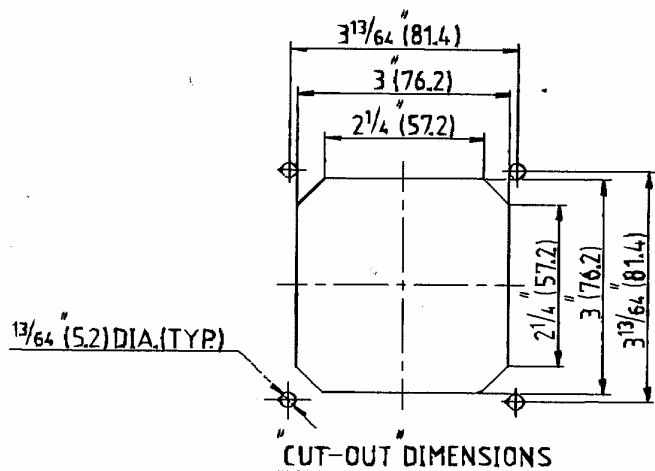
- A Detent
- B Spring Return
- C Switch
- D 1K Potentiometer
- E Terminal Strip
- F Two Switches
- G Jog Switches option
- H 5K Potentiometer

NOTE: Customer must state resistance in Ohms and rotation of potentiometer in degrees at time of ordering.

# DIMENSIONS AND PARTS MODEL 7169



ITEM	QTY	PART NUMBER	DESCRIPTION
1	1	7169-0001	Main Plate
3	1	7169-0003	Lever Hub
4	1	7169-0004	Support
5	1	7169-0005	Spring Retainer
6	1	7169-0006	Switch Bracket
7	1	7169-0007	Switch Actuator
8	1	7169-0008	Pin
9	1	7169-0009	Rubber Boot
10	1	7169-0010	Lever
11	1	2030-0001	Knob
12	1	1022-0211	Hex Nut
13	2	1029-1037	Snap Ring
14	1	POT-1	Potentiometer 6639S-1-102
15	1	7169-0015	Washer
16	1	6009-0006	Connector terminal
17	1	6001-0104	Microswitch
18	2	1004-0410	Round Hd. Slotted Screw
19	12	1012-0606	Round Hd. Philips Screw
20	1*	Y-3216	Spur Gear
21	1	1016-0602	Socket Set Screw
22	1	1016-1206	Socket Set Screw
23	1	2012-0007	Detent Pin
24	1	1201-0003	Spring
25	1	1203-0011	Spring
26	2	1022-0106	Hex Nut
27	2	1016-0608	Stop Screw



**KOBELT** MANUFACTURING  
COMPANY LIMITED