



Pictures shows a wheel type control

MODEL 7181 INTEGRATED FOLLOW-UP AND NON FOLLOW-UP CONTROL

Model 7181 is another addition to our steering control series. This model can be used as a main electronic control station and is well suited for conventional or high speed craft. In conventional craft, one potentiometer is used for single rudder positioning. A second potentiometer may be used to show rudder demand. When equipped with multiple potentiometers, it could also be used for catamaran steering with synchronized rudder control. Up to a total of four potentiometers can be installed in the unit. The control handle can be supplied in different styles as knob, single lever or wheel. Autopilot overriding feature can be incorporated into the later two types with the addition of an override switch.

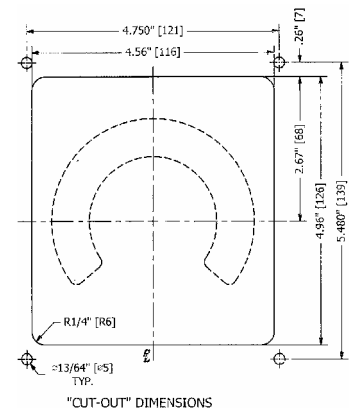
Ordering Information:

P/N	Handle type	Full follow-up control	Non follow-up jog control	No. of potentiometer	No. of switches	Scale range
7181-1	Knob	Yes	No	1 (standard)	0	35°
7181-2	Lever	Yes	No	1 (standard)	0	35°
7181-2J	Lever	Yes	Yes	1 (standard)	2 (for jog)	35°
7181-3	Wheel	Yes	No	1 (standard)	0	35°
7181-3J	Wheel	Yes	Yes	1 (standard)	2 (for jog)	35°
				Options:- B 2 pot. C: 3 pot. BB: 4 pot.	Option - A: 1 sw. (for autopilot override)	Option: W: 45°

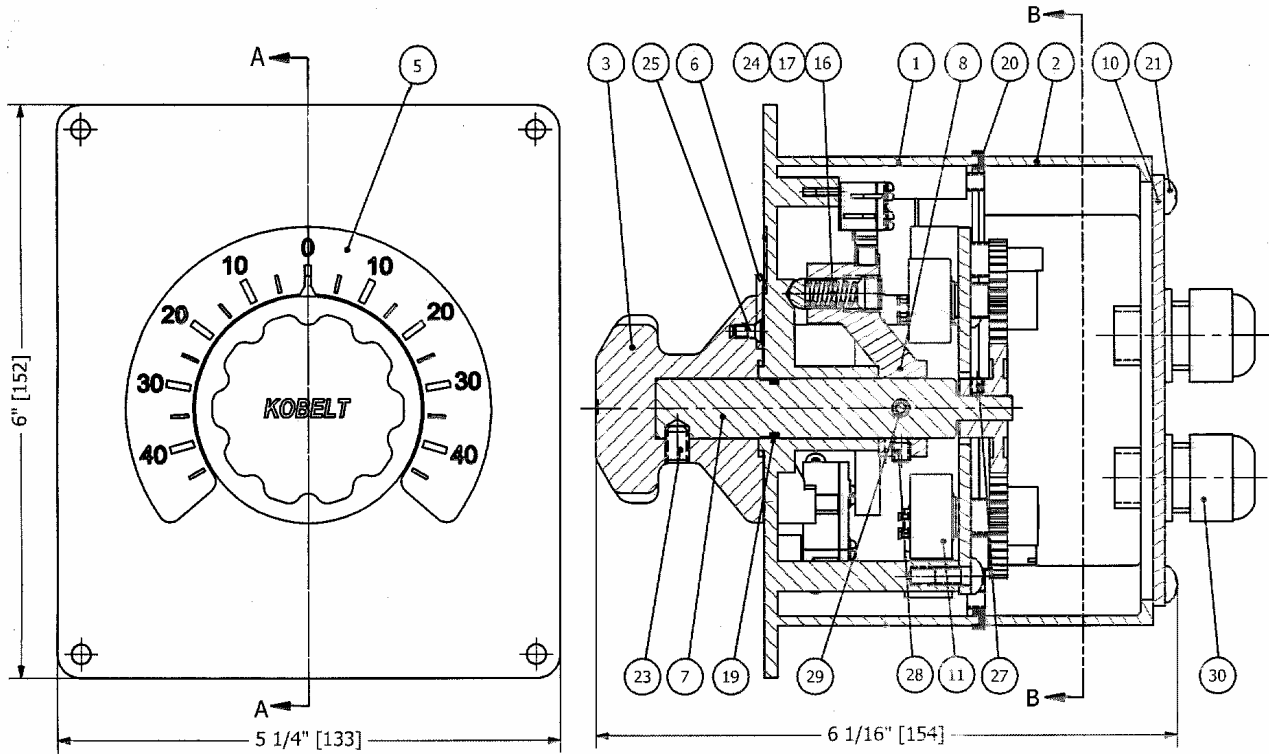
A standard 7181 control will come in black with one potentiometer and 1 trim pot.

For example: 7181-3J-ABB is a wheel type full follow-up and jog control with four potentiometers, one autopilot override switch and two switches for jog.

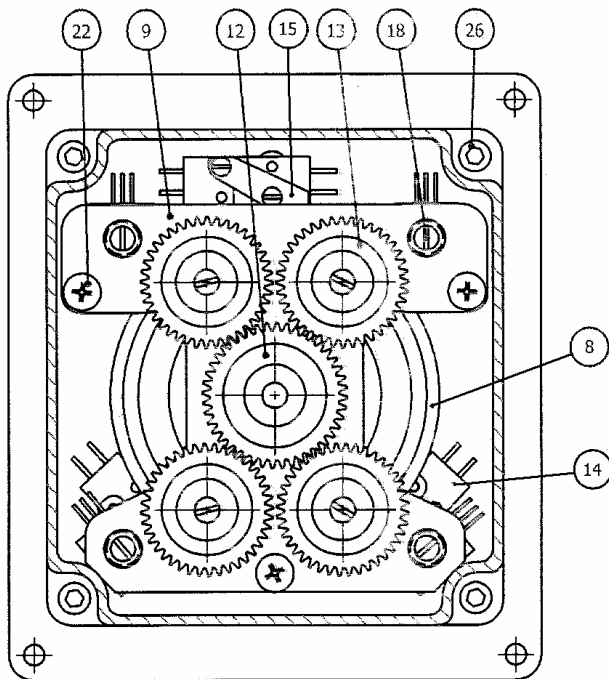
Weight: 5.5 lb (2.5 kg) approx.



DIMENSIONS AND PARTS LIST MODEL 7181



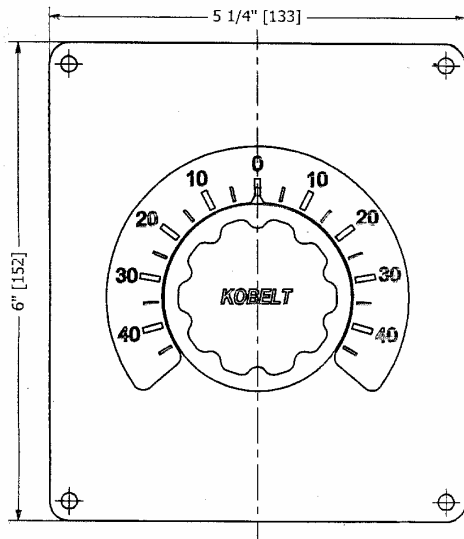
SECTION A-A



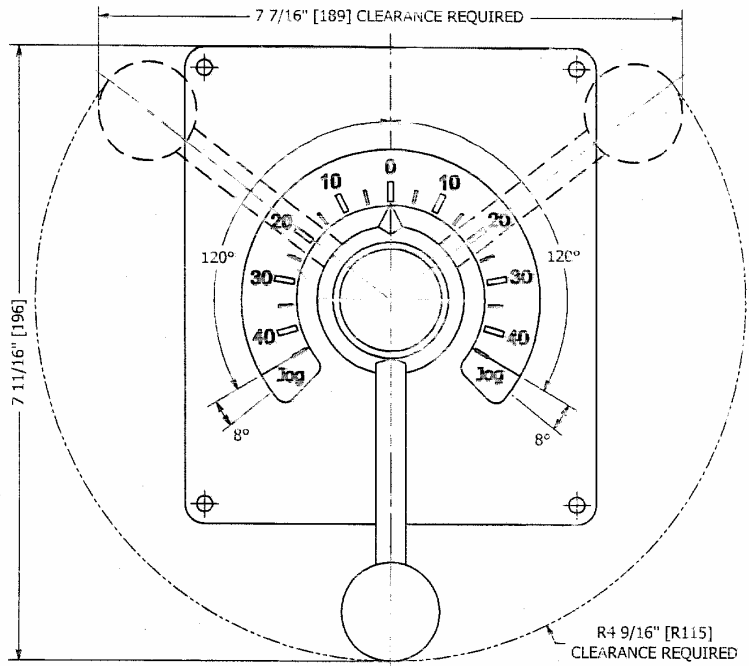
SECTION B-B

Item	Qty	Part No	Description
1	1	7181-0001	Housing
2	1	7181-0002	Cover Housing
3	1	7181-0003	Knob
4	1	7181-0004	Wheel (option)
5	1	Label-35°	Label
6	1	7181-0007	Pointer
7	1	7181-0008	Shaft
8	1	7181-0009	Cam
9	1	7181-0010	Pot Bracket
10	1	7181-0011	Cover Plate
11	4 *	POT-1	Potentiometer 1K
12	1	YPB-3244	Gear 44T
13	4 *	YPB-3240	Gear 40T
14	3	6001-0104	Micro switch
15	1	6001-0105	Micro switch Roller
16	1	2012-0007	Detent Pin
17	1	1201-0003	Spring
18	4 *	6002-4003	Trim Pot 10K
19	1	1101-0014	"O" Ring
20	1	7171-0026	Rubber Seal
21	4	1010-0804	Round Head Screw
22	1	1010-0806	Round Head Screw
23	1	1016-1006	Socket Set Screw
24	1	1016-1204	Socket Set Screw
25	1	1011-0606	Oval Head Screw
26	1	1002-0810	Socket Head Cap Screw
27	5	1016-0602	Socket Set Screw
28	1	1016-0804	Socket Set Screw
29	1	1024-0818	Spring Pin
30	4	6001-0248	Cable Gland

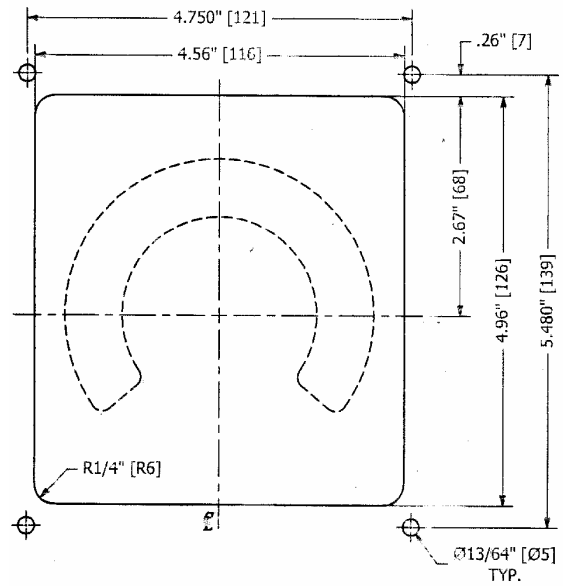
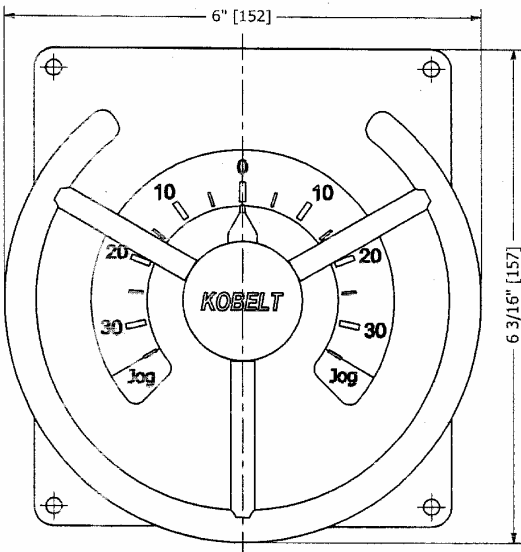
KNOB STYLE (NO SWITCH OR 1 SWITCH)



LEVER STYLE W/T JOG



WHEEL STYLE W/T JOG



"CUT-OUT" DIMENSIONS