

## System Requirements:

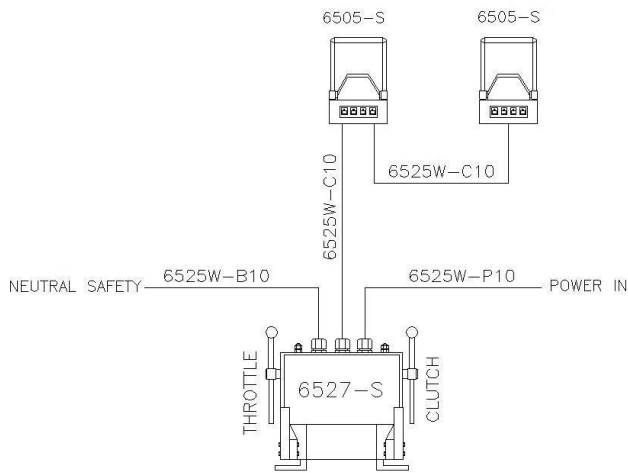
- 24 Volt power source. You can get a converter from us, or any reputable supplier.
- System is suitable for Mechanical Gearbox and Governors... for now. Electronic interfaces will be available soon.

## Ordering Information:

**Example:** Single Engine package, with 2 stations in Black finish is: 6500-S2B.  
Twin Engine package, with 4 stations in Chrome finish with cables is: 6500-T4C-E.  
 Includes Electrical cables.

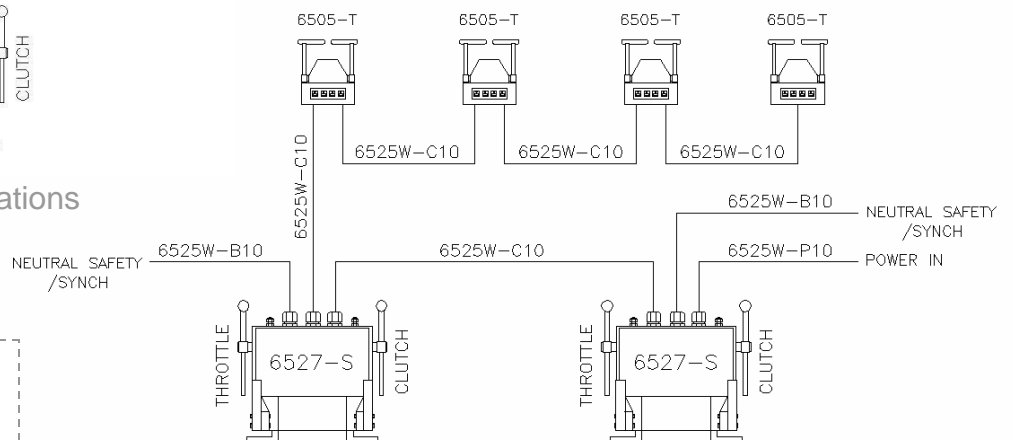
Here's how to order: {ordering details are in brackets}

1. Single {S} or Twin {T} Engine vessel?
2. Number of control stations: 1 thru 4.
3. Control head finish: Chrome {C}, Black {B}, or White {W}.
4. Optional side-mount {6506} or walk-about {7176} control heads.
5. Optional Synchronization kit {6500-SK}
6. What cable lengths will you need? If you want the standard 10 meter (30 foot) Electrical cables, add a -E to your package part number. It will include a power cable, neutral/safety cables and one communication cable *per* station. All the electrical cables you see in the drawings below.
7. Is the Voltage 24 DC? We have converters for any range.



Single Engine, Two Stations

“The walk-about is cool.  
 I can be at my railing  
 and maneuver perfectly  
 to the dock.”  
 - John



Twin Engine, Four Stations

