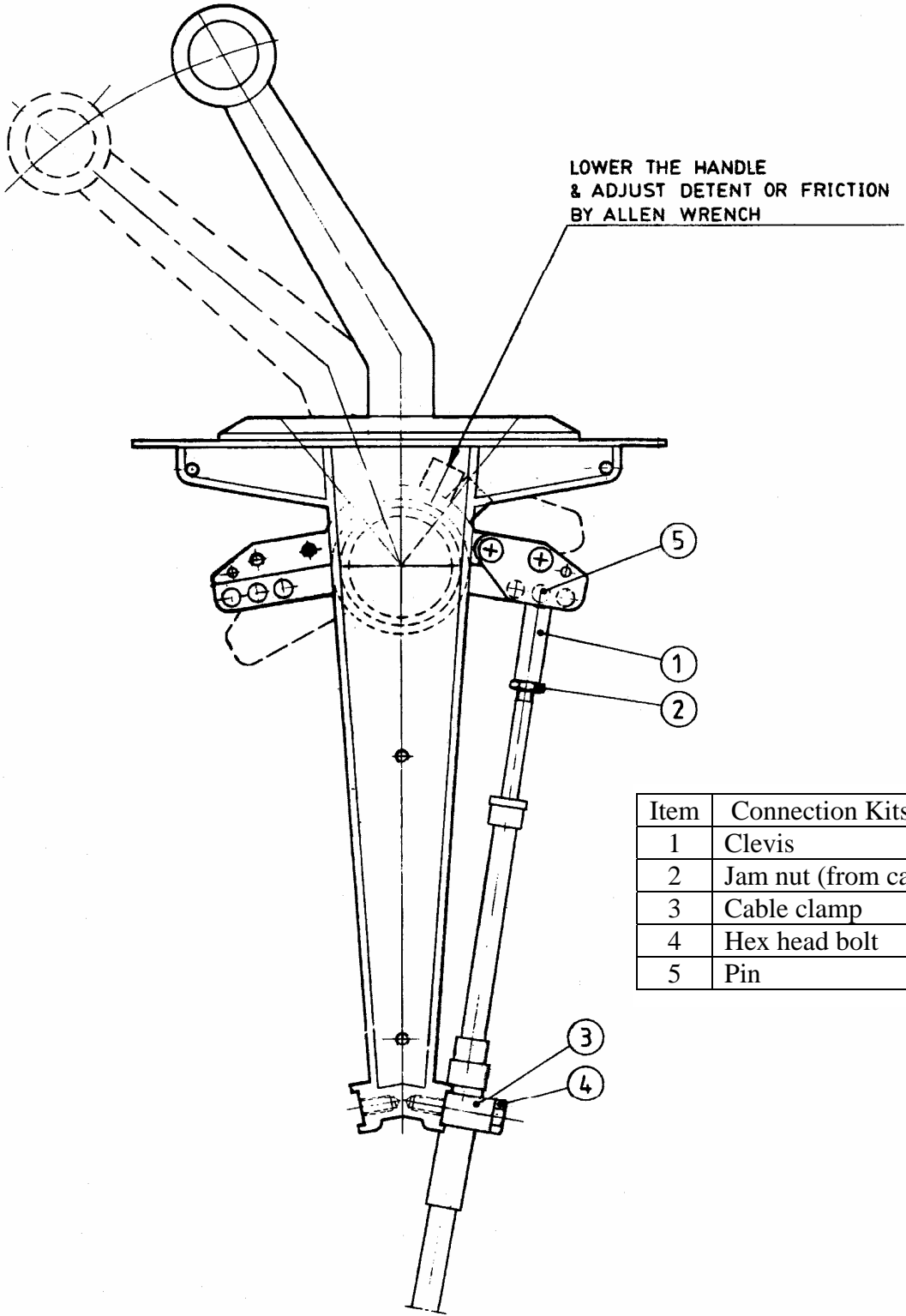
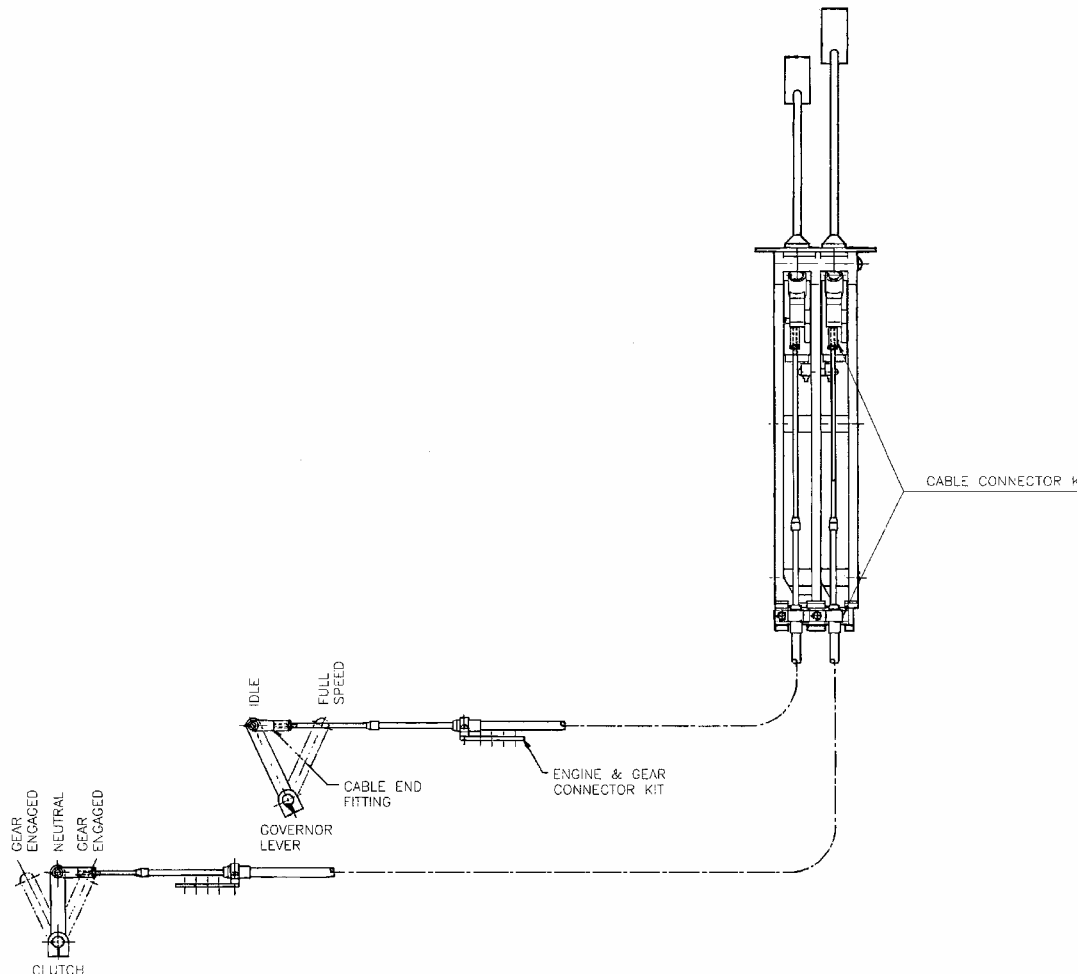


Typical Cable Installation Diagram for Models 2016, 2017, 2019



Item	Connection Kits -0901, -0902
1	Clevis
2	Jam nut (from cable assembly)
3	Cable clamp
4	Hex head bolt
5	Pin

Engine - Control Head Connection Arrangement



Recommended connection cables: Felsted cables 30 series or 40 series.

In order to provide a satisfactory push-pull control system, the following points must be observed:

1. Control head must be installed on a flat and clean surface to avoid binding in the bearing sections.
2. When attaching the cable to the control head or the engine, it is important not to twist the inner core of the control cable as this will cause additional friction.
3. The cables must be routed in a manner to have as few bends as possible and also to avoid sharp bends.
4. Ensure that all fasteners are tightened. For installations subject to severe vibration, secure screws with thread securing compounds like "Loctite™" or similar.
5. Lubricate bearings and other moving parts with all purpose grease occasionally.