

2015

PUSH-PULL CONTROL



Putting You In Control.

Manufactured for the marine environment the Kobelt 2015 push-pull control is the rugged solution for your vessel. The 2015 control head has similar operating characteristics to a 2009 control head, but with a smaller overall height improving access to the control head. The 2015 has two handles that can be configured separately for controlling the throttle or clutch. With a wide array of options to choose from, Kobelt has the product to meet your propulsion control needs.

Specifications

Handle Travel:	+/- 50°	
Pin Position:	1	2
Cable Stroke: ¹	2.30 in [58 mm]	2.91 in [74 mm]
Max Output Force: ²		
• Short handle:	94 lbf [418 N]	74 lbf [329 N]
• Long handle:	113 lbf [503 N]	89 lbf [396 N]
Lever Ratio:		
• Short handle:	3.2:1	2.6:1
• Long Handle:	3.9:1	3.1:1
Ambient Temperature:	-40°F...+140°F [-40 °C... + 60 °C]	
Weight:	5.8 lbs	[2.6 kg]

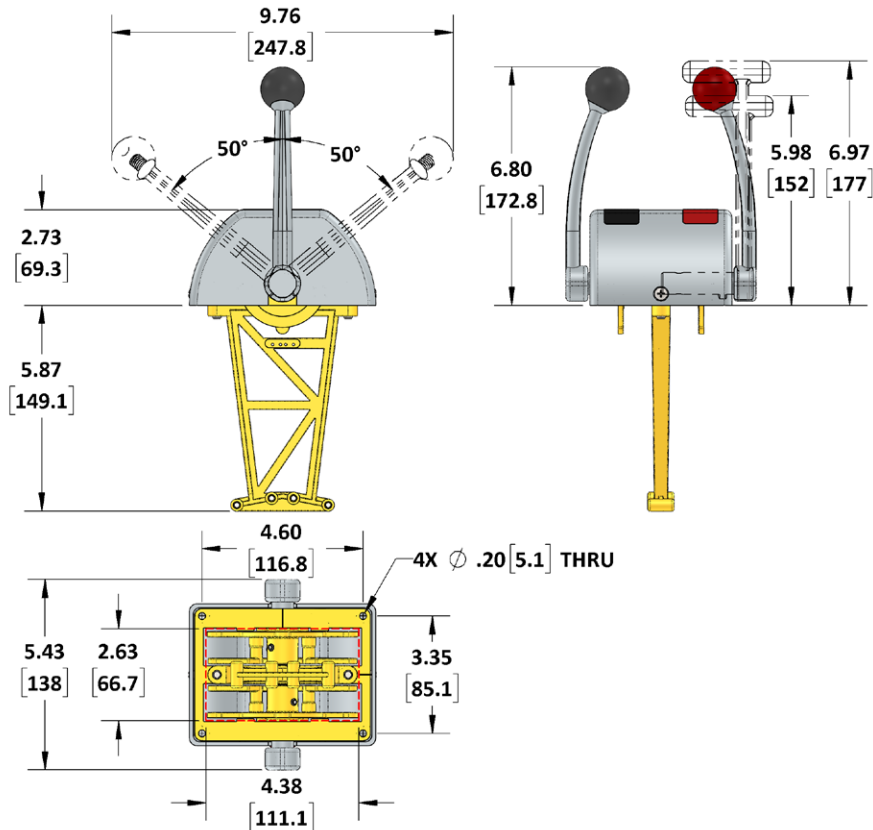
Key Features

- Selectable stroke (2 positions) up to 2.9 inches
- Adjustable stops
- Suitable for 30 & 40 series cable
- Configurable design to suit requirements
- Bronze & stainless steel construction

¹ Stroke from TDC is half of value shown.

² Estimated maximum output force based on an input force of 29 lbf applied to the handle. Output force must not exceed rated cable force.

SPECIFICATIONS



Model Code Key

2015- ← (list in alphabetical order)

Safety Options

- H¹ = One neutral safety switch
- J¹ = Two neutral safety switches
- Blank = No neutral safety switch

Finish Options

- K = chrome plated
- L = polished brass
- M = black painted dome & chrome plated handles

Handle Options

- A = One short with friction + one long with detent
- AA = One short with friction + one long with friction
- B = Two long with detents
- C = Two long with friction
- D = Two long handles, one with friction, one with detent
- E = Two short with detents
- F = Two short with friction
- G = Two short handles, one with friction, one with detent
- U² = Two curved handles with knobs
- V² = Two handles with plastic grips

Popular Configurations

2015-DKU

2015-DK

Accessories

2015-0901³ Connector kit, 30 series cable

2015-0902³ Connector kit, 40 series cable

2015-0903 Switch kit, neutral safety

NOTES:

1. Neutral safety switch must have a detented handle.
2. One red (throttle / friction) and one black (clutch / detented).
3. Cable kits must be ordered separately.