

2091 | TWO STATION SINGLE LEVER CONTROL



Putting you in control.

Manufactured for the marine environment, the Kobelt 2091 push-pull control is the rugged solution for any vessel requiring two station engine control. The control head permits single-engine control with both the clutch and throttle control integrated into the one lever.

The Kobelt 2091 also features a spring-loaded throttle override which permits running the engine with the clutch disengaged. With a wide array of options to choose from, Kobelt has the product to meet your propulsion control needs.



Specifications

Handle Travel:

• Neutral:	0°	Detented
• Clutch engage:	+/- 30°	Detented
• Full throttle:	+/- 77°	-

Stroke:

	1	2	3	4	5
• Pin position:	1	2	3	4	5
• Clutch stroke:	±1.04 in [±26 mm]	±1.32 in [±33 mm]	n/a	n/a	n/a
• Throttle stroke:	0.97 in [25 mm]	1.33 in [34 mm]	1.69 in [43 mm]	2.05 in [52 mm]	2.47 in [63 mm]

Max Output Force:

	1	2	3	4	5
• Throttle: ¹	46 lbf [204N]	34 lbf [150N]	27 lbf [119N]	22lbf [98N]	19lbf [84N]
• Clutch: ¹	98 lbf [427 N]	79 lbf [350 N]	n/a	n/a	n/a

Lever ratio:

	1	2	3	4	5
• Clutch:	3.4:1	2.7:1	n/a	n/a	n/a
• Throttle: ²	0.5:1-1.6:1	0.4:1-1.2:1	0.3:1-0.9:1	0.2:1-0.8:1	0.2:1-0.6:1

Ambient Temperature: -40°F...+140°F [-40 °C...+60 °C]

Weight: 9.3 lbs [4.2 kg]

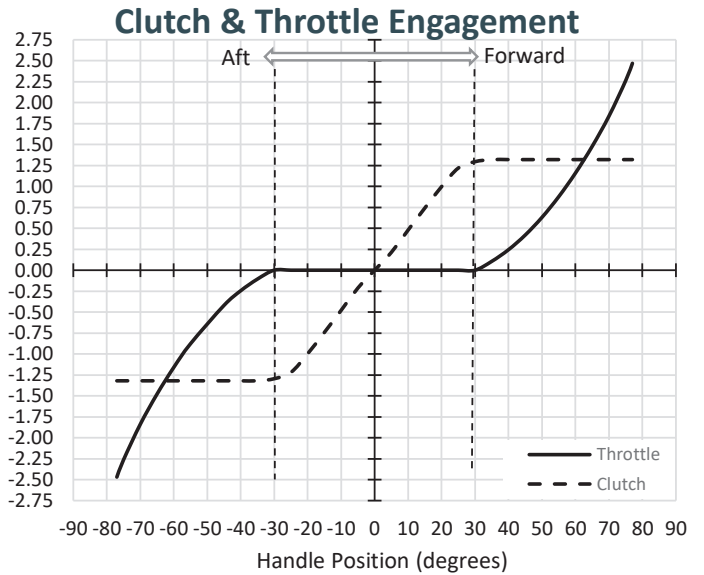
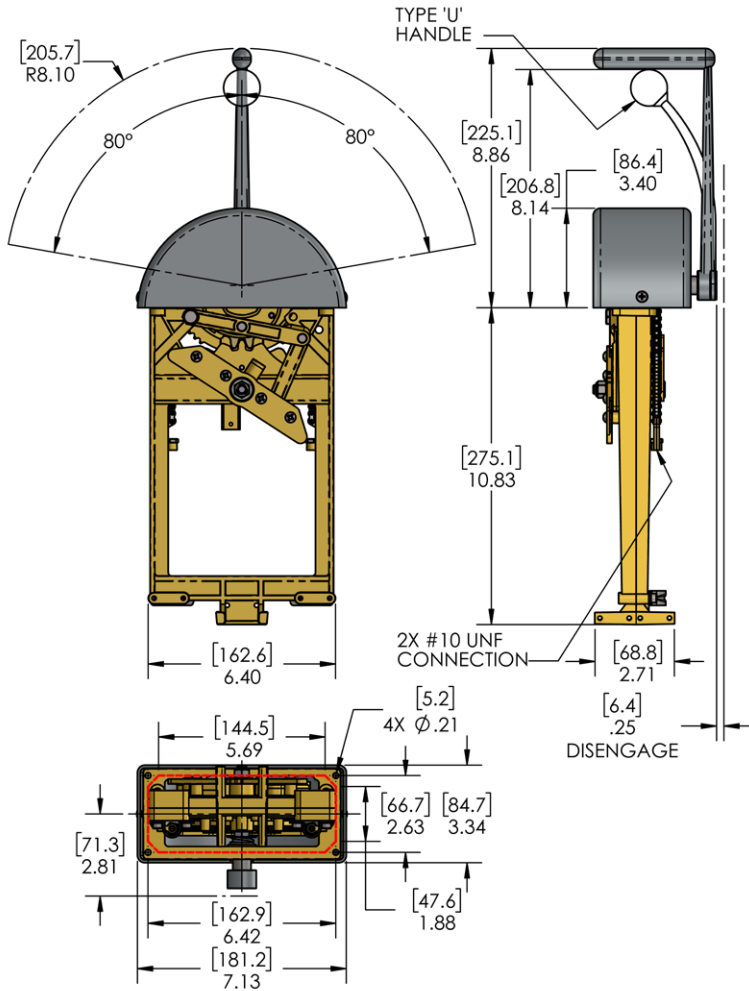
Key Features

- Two station propulsion control
- Throttle override capability
- Selectable strokes (5 positions)
- Suitable for 30 & 40 series cable
- Configurable design to suit requirements
- Bronze & stainless steel construction

¹ Estimated maximum output force based on an input force of 29lbf on a "T" handle.

² Lever ratio varies from start to end of stroke.

SPECIFICATIONS



Model Code Key

2091- ← (list in alphabetical order)

Safety Options

H = neutral safety switch

Finish Options

- K = chrome plated
- L = polished brass
- M = black painted dome & chrome plated handles
- Z = metal position labels

Handle Options

- T = left hand version
- U = curved handle with knobs
- X = tee handle - short
- Y = tee handle - long

¹ Specify desired finish with appropriate letter code for cosmetic parts.

Accessories

- 2093-XXX Remote station control head
- 2046-0901 Connector kit, 30 series cable
- 2046-0902 Connector kit, 40 series cable
- 2091-0903 Switch kit, neutral safety
- 2091-0905 Throttle extension kit; 30 series cable
- 2091-0906 Throttle extension kit; 40 series cable

Note: Cable kits must be ordered separately