

6570 | ELECTRONIC PROPULSION CONTROL HEAD



Putting you in control.

Manufactured for the marine environment, Kobelt's compact 6570 electronic control is the rugged solution for any vessel requiring multi-station, multi-function, twin engine control. Identical in function to the 6505 control head, with the addition of a gear status indicator, this control head integrates the clutch and throttle control into one lever. The Kobelt 6570 also features a membrane keypad to permit operator control of station transfer, throttle-override, engine synchronization and more. With a wide array of options to choose from, Kobelt has the product to meet your propulsion control needs.



Specifications

Handle Travel:

- | | | |
|------------------|---------|----------|
| • Neutral: | 0° | Detented |
| • Clutch engage: | +/- 20° | Detented |
| • Full throttle: | +/- 75° | - |

Output:

10 bit

Connection¹:

CANbus (Mighty Mariner)
RS485 (6525 system)

Terminals:

22-16 AWG, screw clamp

EMC emissions:

per IEC 60945

EMC immunity:

per IEC 60945

Compass Safe Distance:

2 in [5 cm]

Environmental Category:

ENV5 / Class C / exposed

Ingress Protection²:

IP56 (above console)

IP20 (below console)

Ambient Temperature:

-14°F...+131°F [-10 °C... +55 °C]

Environmental Conditions:

per IEC 60945

Vibration Resistance:

0.7 g

Finish:

Polyester powder coat
Textured black

Weight:

6.4 lbs [2.9 kg]

Approvals:

ABS (20-2067473-PDA)

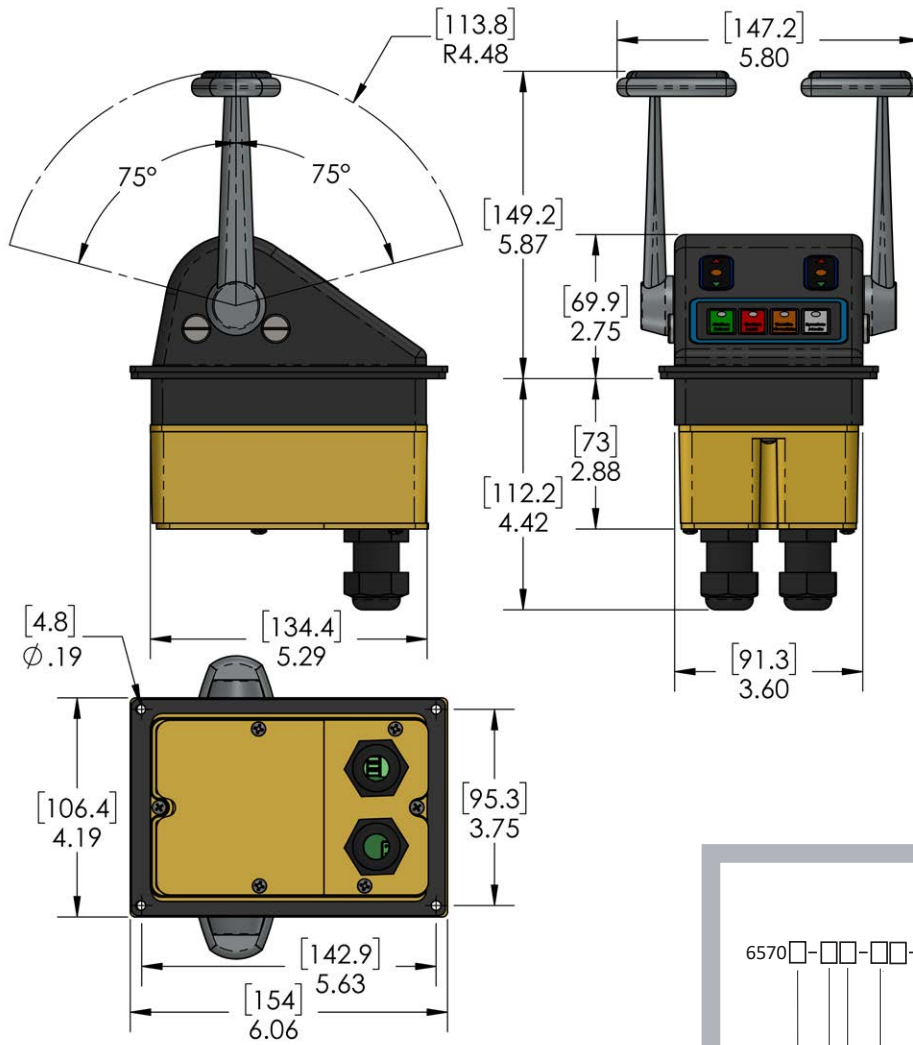
Key Features

- Four station propulsion control
- Multi-function capability
- Gear status indicator
- Configurable design to suit requirements
- Lab tested to meet IEC 60945 standards
- ABS type approved
- Bronze & stainless steel construction

¹ 132 ft [40m] maximum

² Requires sealed mounting screws and 3/16 in [5mm] thick console (minimum).

SPECIFICATIONS



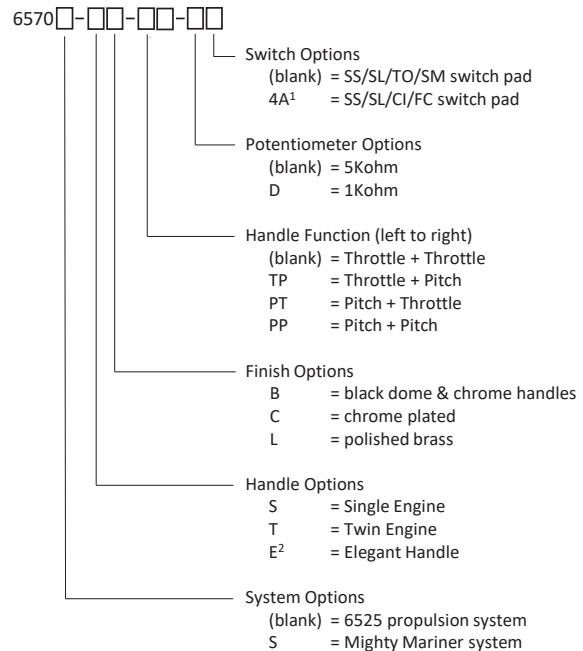
Mighty Mariner Termination

Device	Connector	Pin #	Signal
CPU	P1	1	+ VDC
		2	COM
		3	DATA+
		4	DATA-
		5	SHIELD
Buzzer	P4	1	+VDC
		2	COM

6525 System Termination

Device	Connector	Pin #	Signal
CPU	P2	1	+ VDC
		2	COM
		3	DATA+
		4	DATA-
		5	SHIELD
Buzzer	P4	1	+VDC
		2	COM

Model Code Key



Notes:

- Only available with 6525 system
- Not available with single engine option
- | | |
|------------------------|-------------------------------|
| SS = station select | SM = engine synchronizer mode |
| SL = station lock | CI = clutch in |
| TO = throttle override | FC = feather control |