



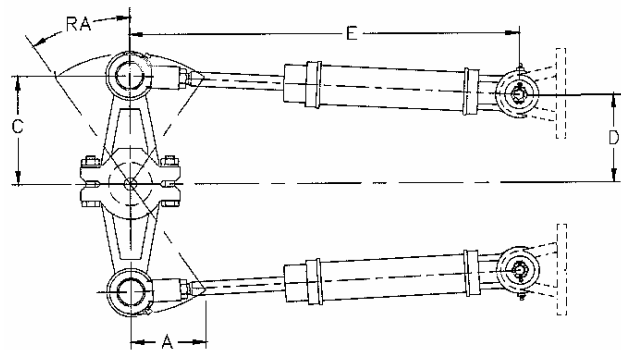
MODEL 7067 2½" Bore Hydraulic Cylinder

Specification:

Cylinder bore: 2.5 inches (63 mm)
Stroke: 10 inches (254 mm) to 20 inches (508 mm)
Design pressure: 2000 psi (138 bar)

The cylinder is of the double-acting type with push/pull capability. The cylinder barrel and rod are made of steel with extra fine finish. Tie rods are made of stainless steel.

This model comes in the unbalanced configuration with the maximum force being obtained at the push stroke. If used for rudder moving purpose, two cylinders are required. Mounting bracket and pin sets for this cylinder model are available as optional parts.



For rudder angle = 35°, working pressure of 2000 p.s.i. on *two unbalanced* cylinders

Model	Stroke		Torque		Displacement		A		C		D		E		Port thread size (F) O-ring fitting
	in.	mm	lb-ft	kg-m	in ³	cm ³	in.	mm	in.	mm	in.	mm	in.	mm	
7067	10	254	10235	1415	86	1409	5	127	8.7	221	7.9	201	29.1	740	¾"-16
	12	305	12255	1695	103	1688	6	152	10.5	266	9.5	242	32.1	816	
	16	406	16425	2271	137	2261	8	203	14.0	354	12.7	322	38.1	968	
	20	508	20470	2830	172	2819	10	254	17.4	443	15.9	403	44.1	1121	

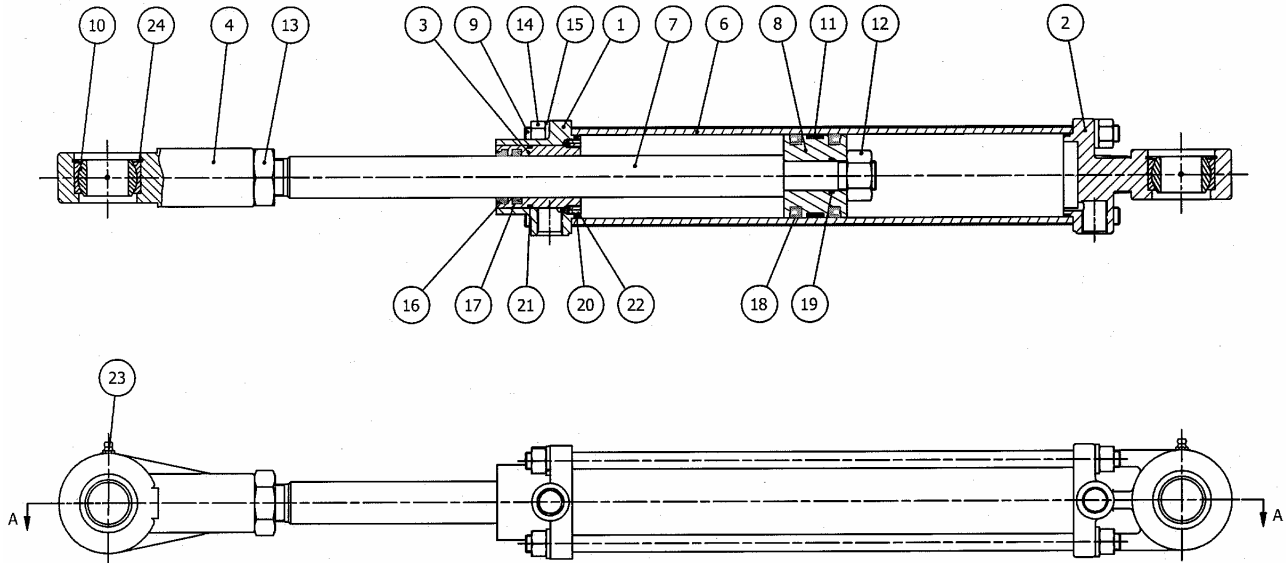
For rudder angle = 45°, working pressure of 2000 p.s.i. on *two unbalanced* cylinders

Model	Stroke		Torque		Displacement		A		C		D		E (mid travel)	
	in.	mm	lb-ft	kg-m	in ³	cm ³	in.	mm	in.	mm	in.	mm	in.	mm
7067	10	254	7165	991	86	1409	5	127	7.1	180	6.0	153	29.1	740
	12	305	8580	1187	103	1688	6	152	8.5	216	7.3	184	32.1	816
	16	406	11500	1590	137	2261	8	203	11.3	287	9.7	245	38.1	968
	20	508	14330	1982	172	2819	10	254	14.1	359	12.1	307	44.1	1121

NOTE: Performance data are for reference only. Changes may be made without notice.

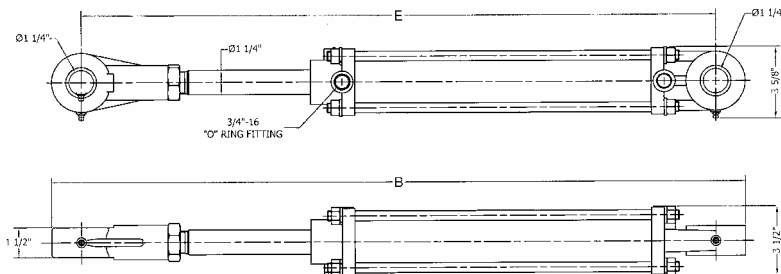
DIMENSIONS AND PARTS LIST MODEL 7067-U

SECTION A-A



Item	Qty	Part No.	Description	Item	Qty	Part No.	Description
1	1	7067-0001	Front end cap	13	1	1041-21113	Jam nut
2	1	7067-0002	Rear end cap	14	8	1022-0164	Hex nut
3	1	7067-0003	Front end bushing	15	8	1023-0314	Lock washer
4	1	7067-0004	Rod end	16	1	1102-6020	Rod wiper
* 5	1	7067-0005	Foot	17	1	1102-2021	"U" cup
6	1	7067-0006	Tube	18	2	1102-2032	"U" cup
7	2	7067-0007	Piston rod	19	1	1101-0118	"O" ring
8	1	7067-0008	Piston	20	2	1101-0141	"O" ring
9	4	7067-0009	Tie rod	21	1	1101-0031	"O" ring
10	2	7067-0010	Spherical bearing	22	4	1016-1006	Set screw
11	1	7065-0013	Wear ring	23	2	1501-0301	Grease nipple
12	1	1041-11088	Hex nut	24	2	1029-3200	Retaining ring

* optional item not shown



STROKE (in.)	B (in.)	E (in.)
10	32 1/8	29 1/8
12	35 1/8	32 1/8
16	41 1/8	38 1/8
20	47 1/8	44 1/8

Dimensions are measured at piston mid-travel.



8238-129th Street, Surrey, B.C. Canada V3W 0A6
Telephone 604-572-3935 Fax 604-590-8313