



ORDERING INFORMATION

- 2031 Two lever side-mount control
- 2031-2 Two lever side-mount control for two stations (series connection)
- 2032 One lever side-mount control
- 2032-2 One lever side-mount control for two stations (series connection)

For two-stations in series applications, one of each control must be ordered.

Example: 1 only 2031 plus 1 only 2031-2

MODEL 2031 TWO LEVER MODEL 2032 ONE LEVER HEAVY DUTY SIDE MOUNT CONTROL

These side mount controls are intended to control water jets, power take-offs, small mechanical clutches, and various other heavy-duty applications where 60 series cables are employed. The long handle on both units provides from 3" to 6" of stroke. The short handle on Model 2031 will give a stroke from 1" to 3". It is possible to use either model on a two-station, series application whereby two levers are provided on the backside of the control for connection of two cables, one to the remote station and one to the item to be controlled. The all bronze and stainless-steel construction will give years of trouble-free service.

Weight:	2031	6.8 lb (3.1 kg)
	2031-2	8.7 lb (3.9 kg)
	2032	5.7 lb (2.6 kg)
	2032-2	7.5 lb (3.5 kg)

Letter Code Designation

- K : chrome plated flange and handle
- L : polished brass flange and handle
- M : black epoxy painted flange and chrome handle

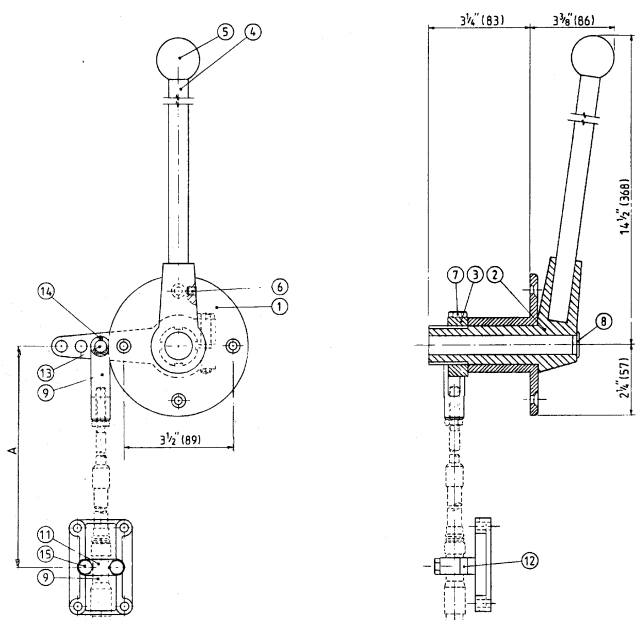
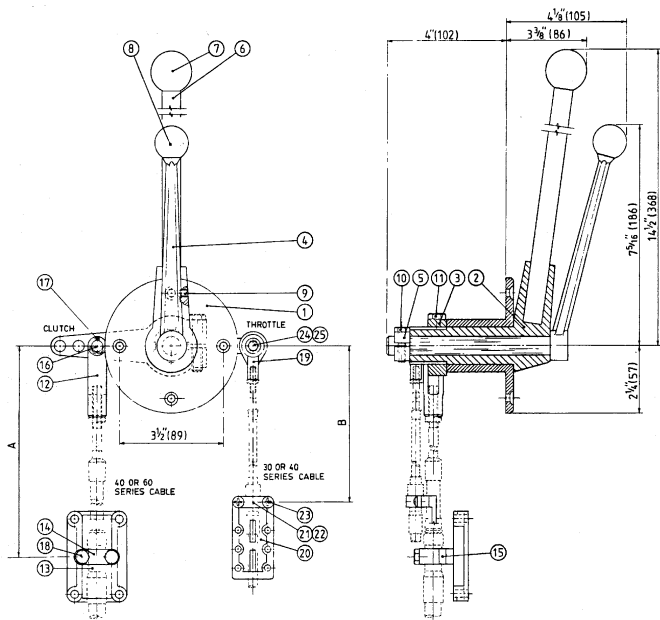
Example: 2031-K is for a 2031 control with chrome finish

Cable connection kits must be ordered separately.

For the short handle in model 2031, one connection kit must be ordered separately. Model 2031-2 requires two kits.

Ordering Number:

- 2031-0901 (30 series cable)
- 2031-0902 (40 series cable)
- 2031-0912 (60 series cable)

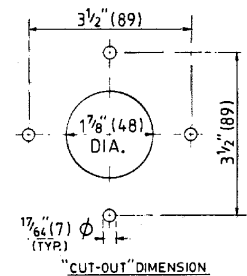


Model 2031

Item	Qty	Part Number	Description
1	1	2031-0001	Mounting Flange
2	1	2031-0002	Handle Hub
3	1	2031-0003	Lever
4	1	2030-0002	Handle Hub
5	1	2104-0003	Lever
6	1	2031-0006	Handle shaft
7	1	2030-0001	Black Knob
8	1	2030-0012	Red Knob
9	1	1016-1004	Set Screw
10	1	1001-1014	Hex Hd Screw
11	1	1001-1124	Hex Hd Screw
		2031-0912 (60 series) cable kit	
12	1	2031-0004	Clevis
13	1	2031-0005	Bracket
14	1	2108-0004	Clamp
15	1	2109-0004	Spacer
16	1	2031-0007	Pin
17	2	1026-0312	Cotter Pin
18	2	1001-1020	Hex Hd Screw
		2031-0902 (40 series) cable kit	
19	1	2144-3	Rod End
20	1	2131-0001	Bracket
21	1	2108-0002	Clamp
22	1	2109-0001	spacer
23	2	1012-0814	Pan Hd Screw
24	1	1001-0814	Hex Hd Screw
25	1	1022-0108	Nut
		2031-0901 (30 series) cable kit	
19	1	2143	Rod End
20	1	2131-0001	Bracket
21	1	2108-0001	Clamp
22	1	2109-0001	spacer
23	2	1010-0810	Round Hd Screw
24	1	1001-0814	Hex Hd Screw
25	1	1022-0108	Nut

Model 2032

All dimensions in inches (mm)



Item	Qty	Part Number	Description
1	1	2031-0001	Mounting Flange
2	1	2031-0002	Handle Hub
3	1	2031-0003	Lever
4	1	2031-0006	Handle shaft
5	1	2030-0001	Black Knob
6	1	1016-1004	Set Screw
7	1	1001-1124	Hex Hd Screw
8	1	2032-0001	Plug
		2032-0912 (60 series) cable kit	
9	1	2031-0004	Clevis
10	1	2031-0005	Bracket
11	1	2108-0004	Clamp
12	1	2109-0004	Spacer
13	1	2031-0007	Pin
14	2	1026-0312	Cotter Pin
15	2	1001-1020	Hex Hd Screw

To determine dimension "A", the cable must be in the mid position with the clevis attached.

To determine dimension "B", the cable with the rod end attached, must be pushed in for pull governors and pulled out for push governors.