



7002 Header Tank

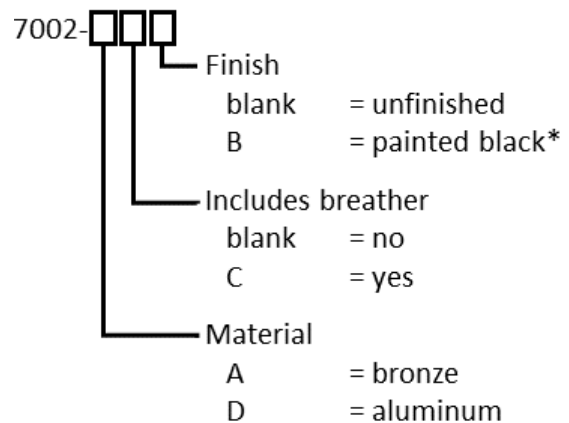


Product Description

The 7002 header tank stores fluid for steering systems and provides a location for expanding oil to flow into or a supply of oil to make up for system losses. It can be used with either manual-fill or auto-fill systems. All models feature a sight glass and have a capacity of 1 quart (1 liter). The tank is available in either aluminum or bronze and optionally includes a breather.

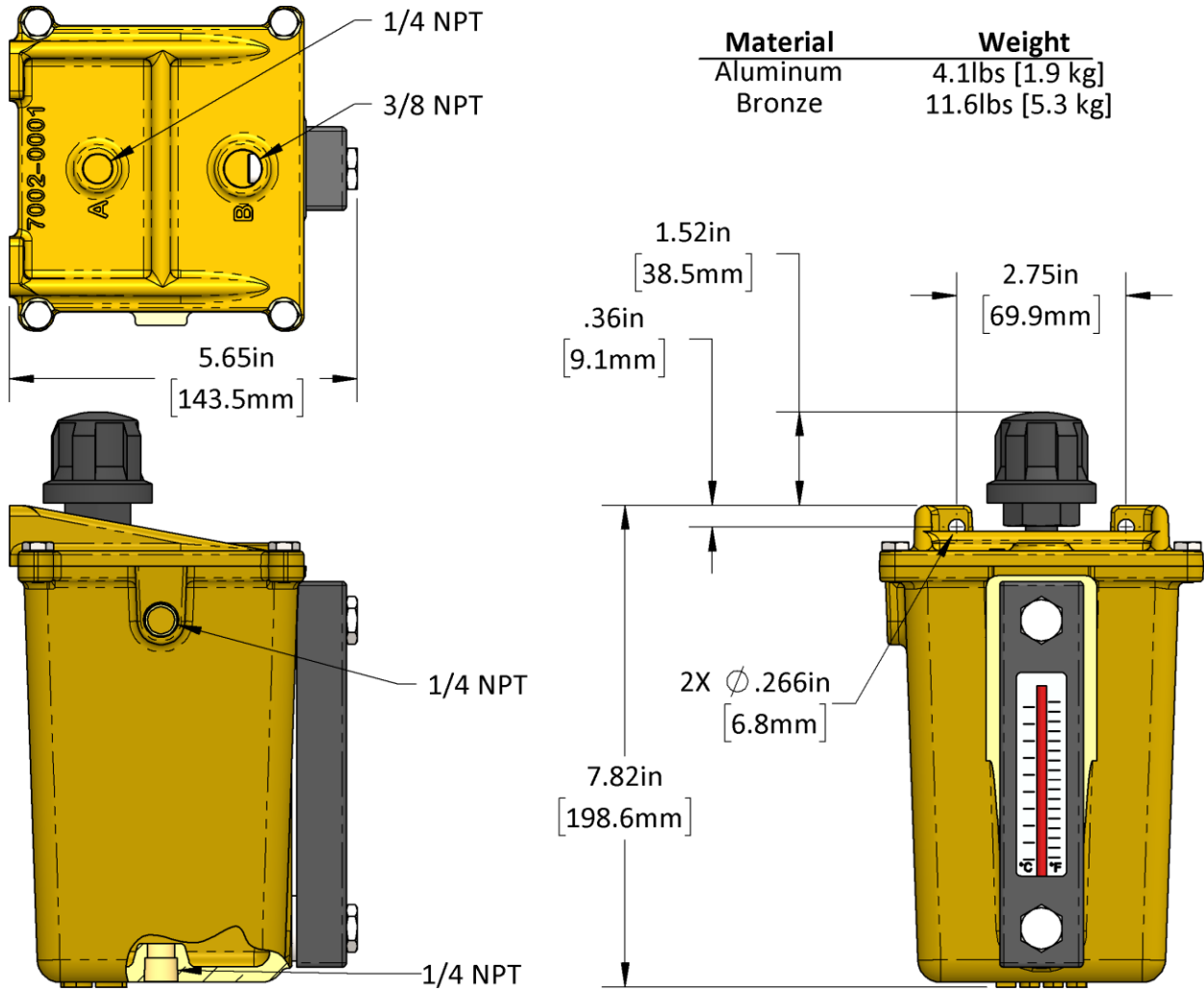
The tank should be installed above the highest helm pump onboard. Additionally, manual-filled systems should be installed with a breather while auto-filled systems should be sealed with a vent line going from the header tank to the main tank.

Ordering information

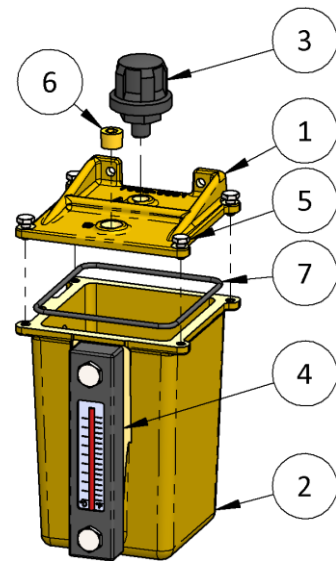


*Aluminum tanks are only available in black painted finish.

Product Dimensions and Parts List



Item	7002-A qty	7002-AC qty	7002-AB qty	7002-ACB qty	7002-DB qty	7002-DCB qty	Part Number	Description
1	1	1	-	-	-	-	7002-0001	Lid
1	-	-	1	1	-	-	7002-0001-B	Lid
1	-	-	-	-	1	1	7002-0001A-B	Lid
2	1	1	-	-	-	-	7002-0002-1	Tank
2	-	-	1	1	-	-	7002-0002-1-B	Tank
2	-	-	-	-	1	1	7002-0002A-1-B	Tank
3	-	1	-	1	-	1	7002-MB02	Breather
4	1	1	1	1	1	1	7002-SG5T	Sight glass
5	4	4	4	4	4	4	1001-1008	Screw
6	1	1	1	1	1	1	7039-1343	Plug
7	1	1	1	1	1	1	1101-0250	O-ring



8238 129th Street, Surrey, British Columbia, Canada, V3W 0A6
 604.572.3935 sales@kobelt.com www.kobelt.com