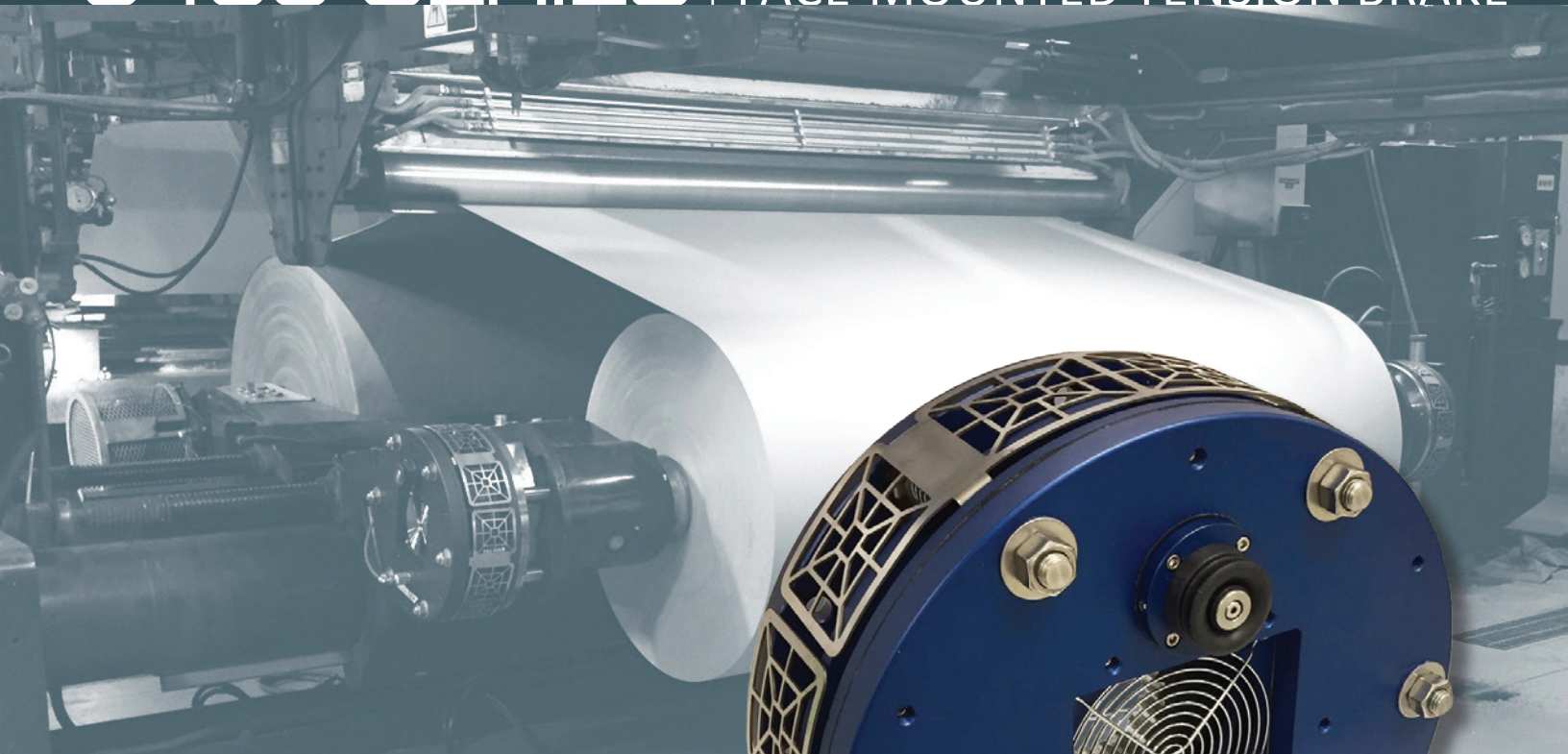
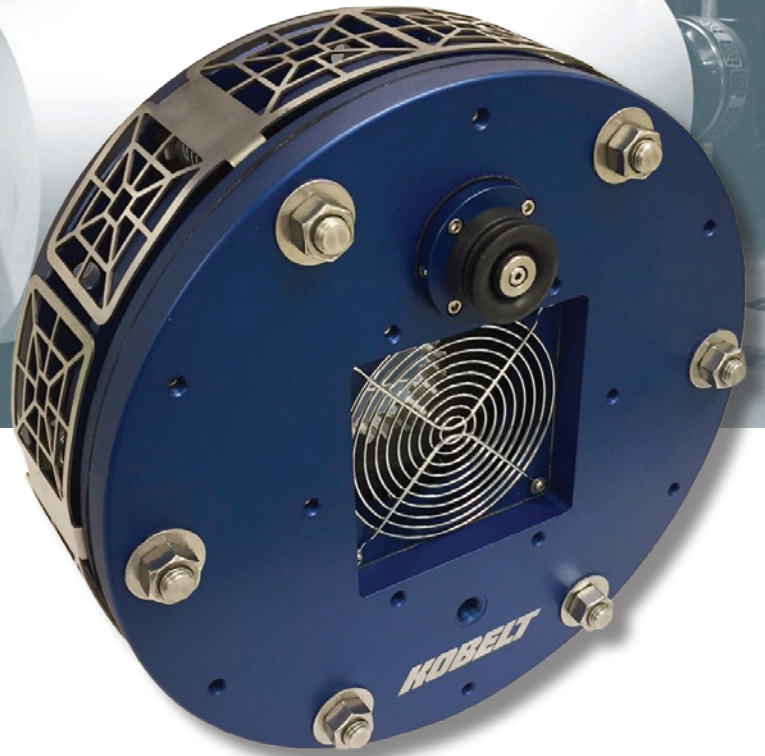


5400 SERIES | FACE-MOUNTED TENSION BRAKE



KEY FEATURES

- Large pad area provides long service intervals
- Diaphragm actuators provide accurate tension control
- Actuator sequence valve triples low end torque sensitivity
- Ventilated disc provides high cooling capacity
- Forced air cooling option available
- Various friction grades available



SPECIFICATIONS

PART No.	DISC DIAMETER	TORQUE ^{1,2}	PAD LIFE	AIR VOLUME	MAX SPEED	ROTATING INERTIA	WEIGHT
		ft-lbs [Nm]	hp-hr [kw-hr]	in3 [cc]	rpm	lbs-ft2 [kgm2]	lbs [kg]
5409-A	9 in	93 [126]	3,000 [2238]	17 [279]	2900	0.6 [.03]	42 [18]
5412-A	12 in	200 [271]	8,000 [5968]	22 [360]	2140	3.2 [0.1]	87 [39.5]
5418-A	18 in	610 [827]	22,000 [16,412]	93 [1529]	1450	23.8 [1.0]	238 [108]
5425-A	25 in	1163 [1577]	34,000 [25,356]	144 [2360]	955	73.8 [3.1]	358 [162]

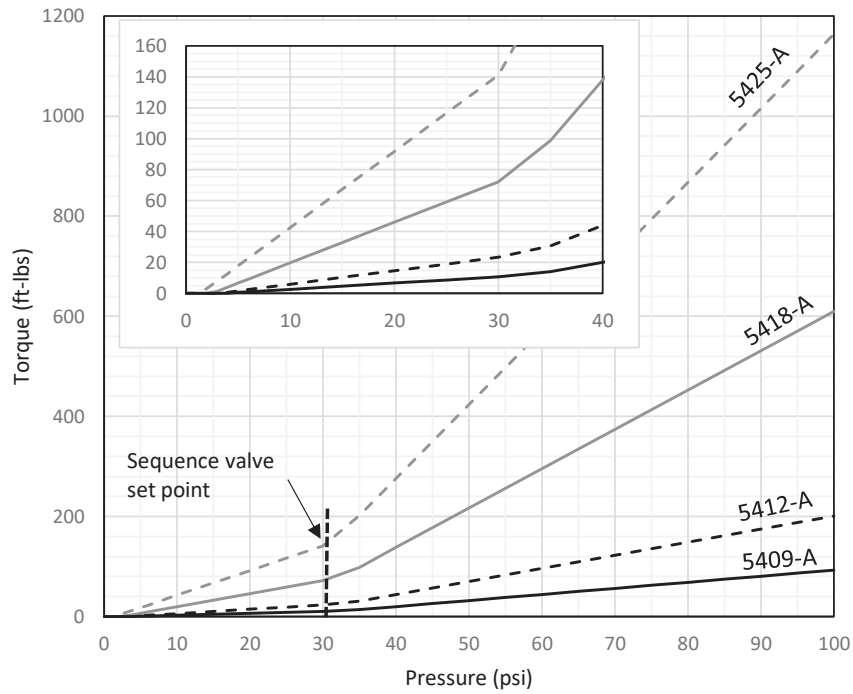
Temperature Range: -31°F...+122°F
-35°C ...+50°C

¹ Friction values are theoretical and for reference only. They are based on properly bedded and burnished linings acting on a disc at 20°C, manufactured to required specifications.

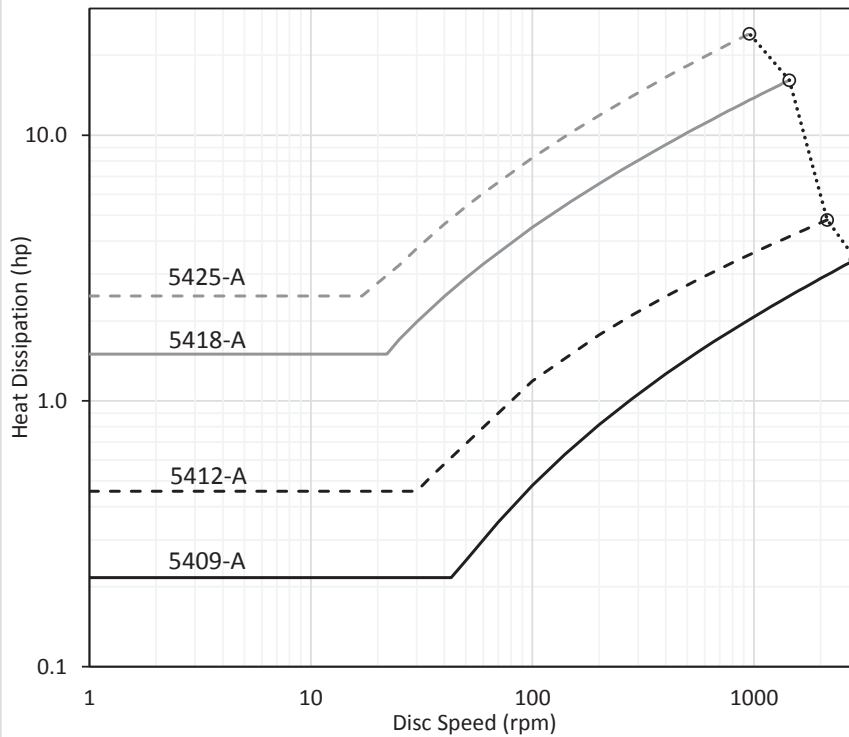
² Expressed torque values are based on the standard low COF pads. Other pad options will generate higher torque.

PERFORMANCE

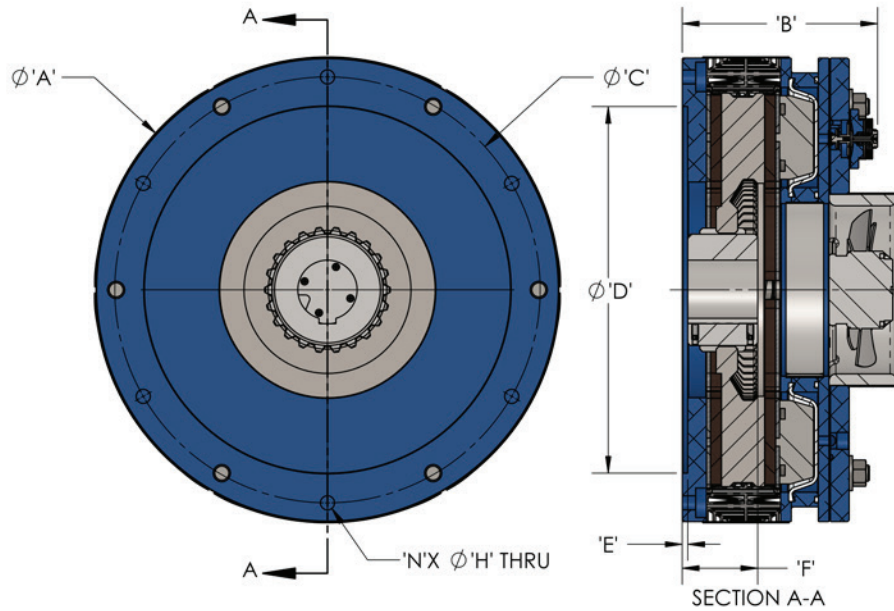
5400 Series Tension Brake Torque vs. Pressure



5400 Series Tension Brake Heat Dissipation vs. Disc Speed



SPECIFICATIONS & DIMENSIONS



PART No.	A	B	C	D	E	F	H	N	P
5409-A	12.5 in [318 mm]	6.1 in [156 mm]	11.18 in [284 mm]	9.50 in [241.3 mm]	.20 in [5.0 mm]	2.55 in [65 mm]	.69 in [18 mm]	6	1/4 NPT
5412-A	15.9 in [403 mm]	6.9 in [174 mm]	13.75 in [349.3 mm]	11.00 in [279.4 mm]	.23 in [5.7 mm]	2.85 in [72 mm]	.53 in [14 mm]	6	3/8 NPT
5418-A	21.5 in [546 mm]	9.1 in [230 mm]	19.75 in [501.7 mm]	17.00 in [431.8 mm]	.26 in [6.5 mm]	3.51 in [89 mm]	0.66 in [17 mm]	6	1/2 NPT
5425-A	28.5 in [724 mm]	9.1 in [230 mm]	26.75 in [679.5 mm]	24.00 in [609.6 mm]	.26 in [6.5 mm]	3.51 in [89 mm]	0.66 in [17 mm]	6	1/2 NPT

Model Code Key

54 - - -

Brake

Added Options

- F = fan cooling
- G = guards

Friction Code

- (blank) = standard (0.12)
- D = low COF (0.18)
- E = mid COF (0.30)

Actuator Code

- A = air applied

Nominal Disc Size

- 09 = 9 in / 229 mm disc
- 12 = 12 in / 305 mm disc
- 18 = 18 in / 457 mm disc
- 25 = 25 in / 635 mm disc

54 - 0003 -

Hub

Bore Detail

- (blank) = standard (RSB)
- XX = custom bore & key

Nominal Disc Size

Note:

Hub must be ordered separately

MAXIMUM SHAFT DIAMETER

5409	1.750 in [45 mm]
5412	2.000 in [51 mm]
5418	3.500 in [89 mm]
5425	5.000 in [127 mm]