



MODEL 2006 HEAVY DUTY 4" STROKE ONE HANDLE PUSH PULL CONTROL HEAD

This heavy duty push-pull control has up to 4 inches of stroke, which makes it ideal for the control of small C.P. propellers, small mechanical clutches and small water jets. It is available with three types of handles: standard, or options of curved or with plastic grips.

FEATURES:

- Corrosion free die cast silicon bronze and stainless steel hardware
- 5 adjustable stroke ranges up to 4 inches
- suitable for 30 series and 40 series cables
- LARGE bearings
 - No lost motion
 - High strength
 - Low wear and long life
- Removable dome for easy head and cable installation
- Independent friction and detent (standard) are adjustable and removable
- Operating quadrants are positively pin-fastened to handle shaft for safety
- Suitable for series or parallel rigging
- Optional safety switch, which prevents engine starting unless control head is in neutral (centre) position, is available either pre-installed or in kit form

ORDERING INFORMATION

- *H - With one neutral safety switch
- I - Electric clutch adaptor
- K - With chrome finish cover and handle
- L - With polished brass finish cover and handle
- M - With black epoxy finish cover and chrome handle
- N - One long handle with detent
- NN - One long handle with detent and friction
- O - One long handle with friction
- P - One short handle with detent
- PP - One short handle with detent and friction
- R - One short handle with friction
- U - Curved handle
- V - With red or black plastic grips

The standard model 2006 control head is supplied as follows:

- i. One long handle with detent or friction
- ii. With chrome finish cover and handle
- iii. Without neutral safety switch

To order, state model number followed by Model Designation letter codes.

Example: A standard model 2006 control head with chrome finish would be 2006-KO

Note:

Cable connector kits are ordered separately. Each push pull cable end attached to the control head requires one kit.

Accessories Ordering Numbers:

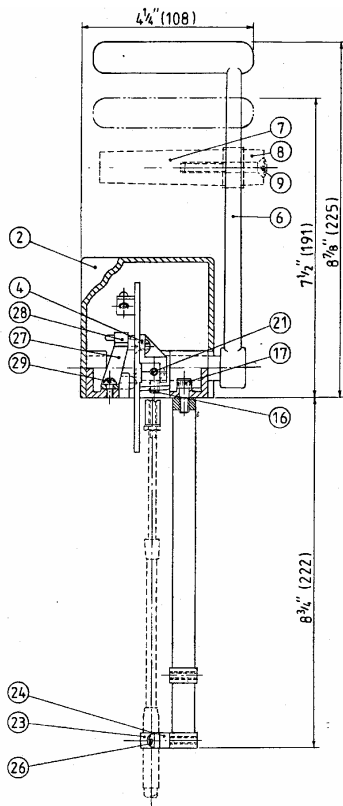
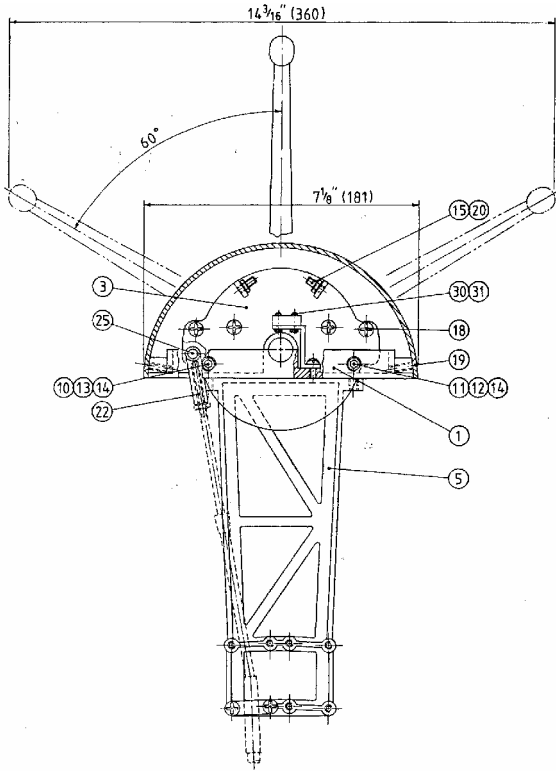
2006-0901	Connector Kit (30 series cable)
2006-0902	Connector Kit (40 series cable)
2006-0903	Neutral Safety Switch Kit
2006-0910	Electric Clutch Adaptor Kit

Weight: 9.3 lbs. (4.2 kg)

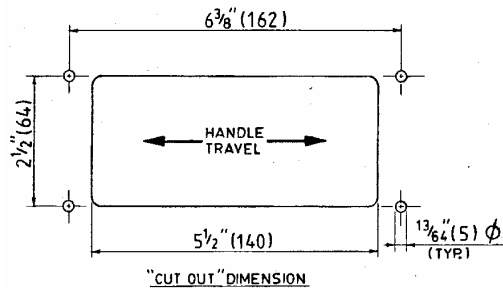
* Neutral safety switch is normally installed with detented handle.

U.S. Pat. No. 4280371
CAN Pat. No. 1158136

MODEL 2006 DIMENSIONS AND PARTS LIST



Item	Qty	Part Number	Description
1	1	2006-0001	Frame
2	1	2006-0002	Dome
3	1	2012-0005	Pivot Plate
4	1	2012-0006	Pin Retainer
5	1	2011-0008	Support
6	*1	2545-0014	Long Handle (standard)
6	*1	2545-0005	Short Handle (standard)
6	*1	2545-2014	Long Handle (plastic grip)
6	*1	2545-2005	Short Handle (plastic grip)
7	*1	2111-0003B	Plastic Grip (Black)
7	*1	2111-0003R	Plastic Grip (Red)
8	*1	2111-0005B	Grip End (Black)
8	*1	2111-0005R	Grip End (Red)
9	*1	1011-1032	Oval Hd Screw
10	*1	2545-0012	Detent Pin
11	*1	2545-0021	Friction Pad
12	*1	1201-0003	Spring
13	*1	1201-0062	Spring
14	*1	1016-1204	Set Screw
15	2	1016-0808	Set Screw
16	1	1016-1004	Set Screw
17	2	1002-1010	Socket Hd Screw
18	2	1009-0808	Flat Hd Screw
19	2	1005-0808	Oval Hd Screw
20	2	1022-0108	Nut
21	2	1024-0816	Spring Pin
2006-0901 (30 series) connection kit			
22	1	2105-0001	Clevis
23	1	2108-0001	Clamp
24	1	2109-0001	Spacer
25	1	1037-0411	Pin
26	2	1010-0810	Round Hd Screw
2006-0902 (40 series) connection kit			
22	1	2105-0002	Clevis
23	1	2108-0002	Clamp
24	1	2109-0001	Spacer
25	1	1037-0411	Pin
26	2	1010-0816	Round Hd Screw
2006-0903 Neutral safety switch set			
27	1	2011-0007	Bracket
28	1	1901-0001	Micro switch
29	1	1010-0804	Round Hd Screw
30	2	1004-0208	Round Hd Screw
31	2	1022-0102	Nut



All Dimensions in inches (mm)