



## MODEL 2016 STACKABLE FLUSH MOUNT CONTROL HEAD

The model 2016, LIKE ALL OTHER Kobelt controls, is totally constructed in bronze and stainless steel.

Ease of installation and maintenance as well as adjustable detent and frictions make this control head an outstanding product in the market.

The Model 2016 does not provide single lever multi-function control. Only ONE function can be accomplished per lever.

The levers can be combined to suit customer requirement and an almost unlimited variety of control functions can be accomplished.

Because of the quality manufacture and engineering, we can again offer our five-year limited warranty on this product.

Picture showing a four handle model

### ORDERING INFORMATION

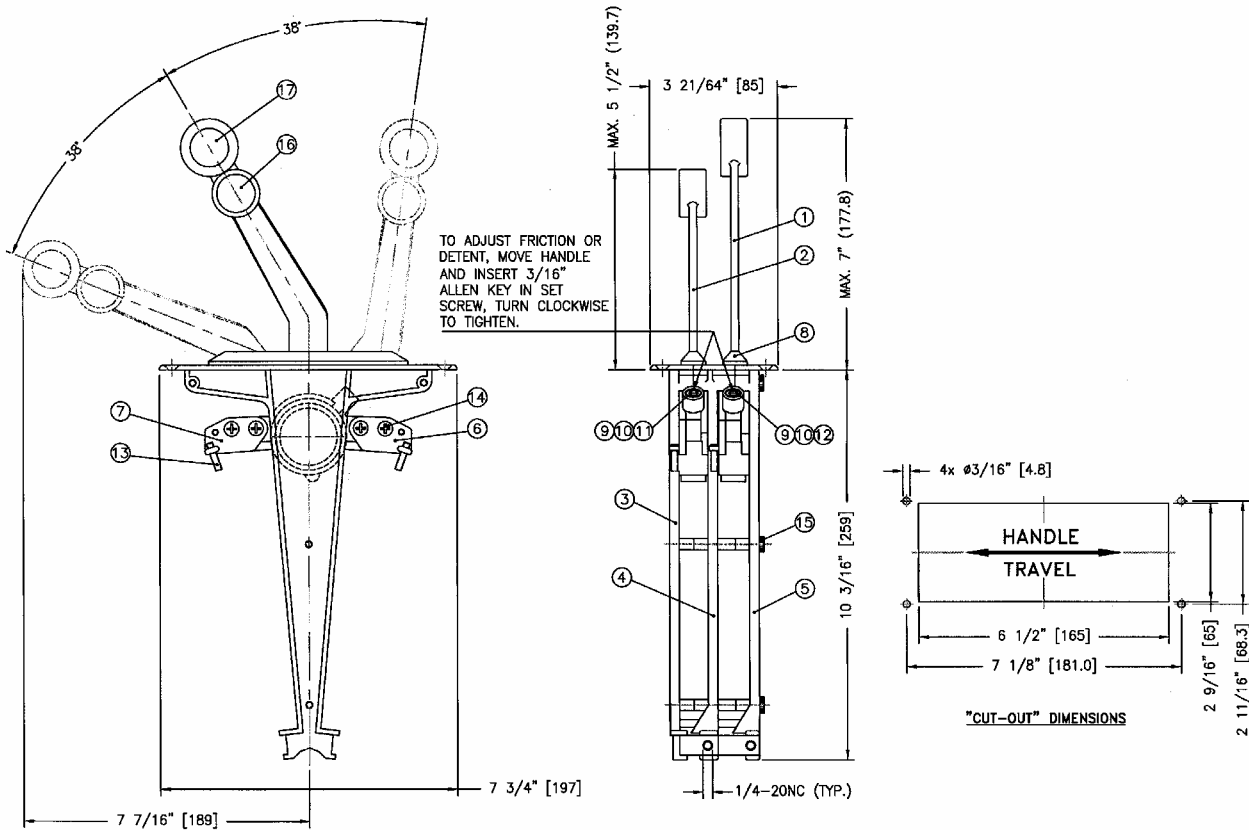
The model 2016 control head is supplied with many options:

- A - One short handle with friction and one long handle with detent
- A1 - One short handle with friction and one long handle with friction
- B - Two long handles with detent on each handle
- C - Two long handles with friction on each handle
- D - Two long handles with one detent and one friction
- E - Two short handles with detent on each handle
- F - Two short handles with friction on each handle
- G - Two short handles with one detent and one friction
- \*H - With one neutral safety switch on detented handle
- \*J - With two neutral safety switches
- K - With chrome finish cover and handle
- L - With polished brass finish cover and handle
- M - With black epoxy finish cover and chrome handle
- MM - With black epoxy finish cover and handle
- N - One long handle with detent
- O - One long handle with friction
- P - One short handle with detent
- R - One short handle with friction

To order, state model number followed by Model Designation letter codes.

Example: A standard model 2016 chrome finish control head with four handles, starting from left, two short handles (detent) and two long handles (friction) would be  
*2016-KEC*

More information about the Kobelt products can be found in the website [www.kobelt.com](http://www.kobelt.com)



ITEM	QTY	PART NUMBER	DESCRIPTION
1	1	2016-0001	Long Handle
2	1	2016-0002	Short Handle
3	1	2016-0003	End Support
4	1	2016-0004	Middle Support
5	1	2016-0005	End Support
6	1	2016-0006R	End Plate - right
7	1	2016-0006L	End Plate - left
8	2	2016-0008	Rubber Boot
9	2	1016-1204	Set Screw
10	2	1201-0003	Spring
11	1	2016-0011	Friction
12	1	2009-0011	Detent
13	2	1016-0812	Set Screw
14	8	1009-0808	Flat Hd Philips Screw
15	4	1002-0836	Socket Hd Cap Screw (for 2 Handles)
16	1	2016-0017RM	Red Insert Male
16	1	2016-0017RF	Red Insert Female
17	1	2016-0018BM	Black Insert Male
17	1	2016-0018BF	Black Insert Female

Part List is for two-handle head. Quantities may change depending on options.