

## MODEL 3515 LEVER ON-OFF VALVE CONTROL HEAD

### DESCRIPTION

The robust 3515 control Head incorporates a cam-handle actuated 2-position, 3-way poppet type valve. Movement of the handle to either extreme detent position opens or closes the valve. An optional 2-position handle latch positively would enable the handle to lock to the desired position, thus eliminating any accidental movement of the handle.

Weight: 3.1 lb. (1.4 kg)

Materials: Die cast silicon bronze and stainless steel hardware

Maximum Supply Pressure: 200 psi (13.8 bar)

Operating Temperature: -40°C to +90°C

Pipe port size: 1/4" NPT

### APPLICATION

Used wherever a handle actuated, panel mounted, "ON-OFF" valve control head is required.

### ORDERING INFORMATION

Model Designation Code:

- A – 2-position detent
- B – 2-position handle latch
- C – Left hand model
- D – Right hand model
- H – With chrome finish dome and handle
- J – With polished brass finish dome and handle
- K – With black epoxy finish dome and chrome handle

The standard model 3515 control head is supplied as follows:

- With 2-position detent
- Left hand model
- With chrome finish dome and handle

To order, state model number 3514 followed by the desired designation codes.

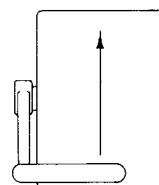
Example: 3515-ACH for standard control valve assembly.

Repair kit 3515-RK is available for seal repairs.

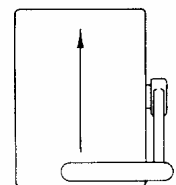
### SCHEMATIC SYMBOL



### MOVEMENT OF HANDLE IN DIRECTION OF ARROW OPENS THE VALVE

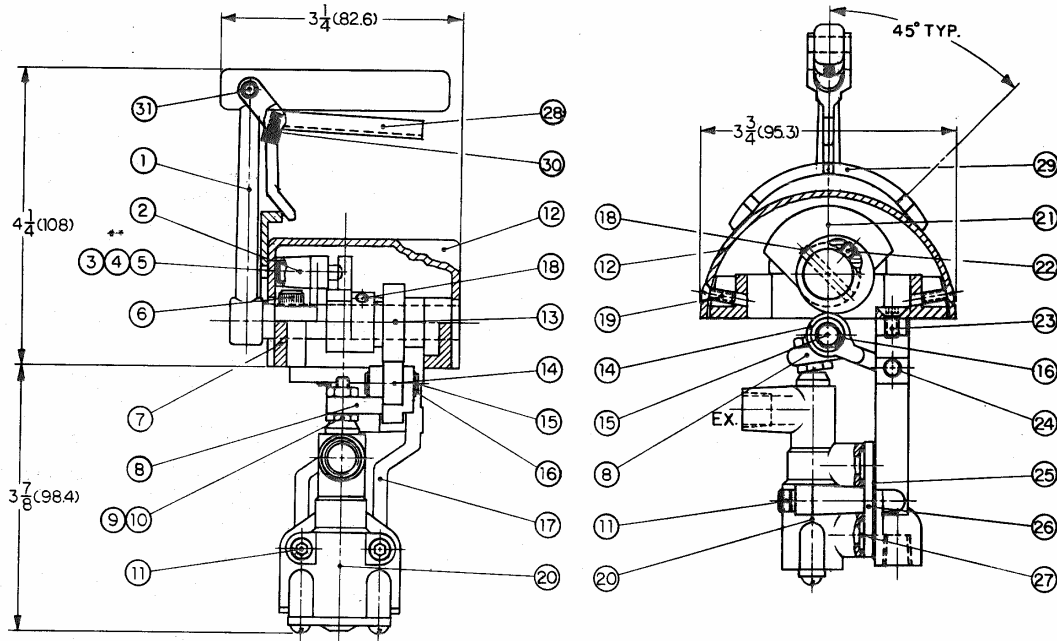


3515-C  
LEFT HAND MODEL

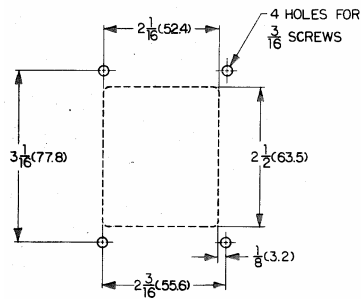


3515-D  
RIGHT HAND MODEL

# DIMENSIONS AND PARTS LIST MODEL 3515



All Dimensions in inches (mm)



"Cut Out" Dimensions

ITEM	QTY	PART NUMBER	DESCRIPTION	ITEM	QTY	PART NUMBER	DESCRIPTION
1	1	3515-0003	Handle	15	1	2542-0011	Pin
*1	1	3515-0013	Handle (for latch)	16	2	1029-1031	Snap ring
2	1	3515-0005	Bracket	17	1	3515-0004	Support
3	1	1016-1205	Setscrew	18	1	1024-0814	Spring pin
4	1	1201-0003	Spring	19	2	1005-0808	Screw
5	1	2009-0011	Detent plunger	20	1	3706	1/4" Blockmount 3-way valve
6	2	1002-1008	Socket head scpscrew	21	1	3515-0006	Stop plate
7	1	3515-0001	Frame	22	1	1016-0804	Setscrew
8	1	3515-0010	Roller arm	23	2	1015-1008	Screw
9	1	10014-1008	Hex head capscrew	24	1	1024-1020	Spring pin
10	1	1022-0210	Nut	25	1	3515-0015	Gasket
11	2	1002-1024	Socket head scpscrew	26	1	3515-0011	Plate
12	1	3515-0002	Dome cover	27	2	1101-0012	"O" Ring
*12	1	3515-0014	Dome cover (for latch)	*28	1	3515-0009	Handle latch
13	1	3515-0007	Cam	*29	1	3515-0008	Latch stop bracket
14	1	2543-0009	Roller arm	*30	1	1201-0001	Spring
* Optional				*31	1	1024-1012	Spring pin