

CDN PATENT NO.
11176140
U.S. PATENT NO.
4474075

MODEL 3604 3-POSITION, 4-WAY CONTROL VALVE ASSEMBLY (1/8" NPT)

DESCRIPTION

The 3604 Control Head was designed like all of our other products for control applications demanding a high standard of reliability and longevity. All castings are made from silicon die cast brass with stainless steel hardware which makes this valve corrosion resistant and ideal in a salt water environment. The cams actuating the valve mechanism can be rotated to give any combination of port opening and closing. Its patented handle lock makes this valve very easy to operate even though it is compact in size. The valve flow capacity (63 SCFM) in 90% of the cases is more than ample to engage and disengage clutches and cylinders of various sizes. To take full advantage of the valve flow capabilities, 1/4" I.D. transmission lines should be used. A three-position handle lock is supplied as standard. If the lock is not required it can be left off when the valve is installed.

Weight: 2.6 lbs. (1.2 kg)

Materials: Die cast silicon bronze and stainless steel hardware

Maximum input pressure: 200 psi (13.8 bar)

Operating temperature: -40°C to +90°C

Pipe port size: 1/8" NPT

APPLICATIONS

- Used primarily in offshore winch and propulsion controls for controlling brakes, cylinders and various pneumatic functions
- Used for industrial applications such as saw mill pulp and paper where corrosion-free control is a must
- This valve can be used in conjunction with step-up relays or pilot control devices such as Model 3405 for controlling large volume cylinders

ORDERING INFORMATION

Model designation codes

A – non spring centered handle with three-position handle lock

B – with flow control inlet cap

H – with chrome finish dome and handle

J – with polished brass finish dome and handle

K – with black epoxy finish dome and chrome handle

L – see function table below

LL – see function table below

MM – see function table below

Function Tables

Model Designation L

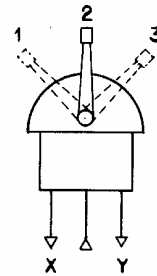
Lever Position	Out Port X	Out Port Y
1	Open	Close
2	Close	Close
3	Close	Open

Model Designation LL

Lever Position	Out Port X	Out Port Y
1	Close	Open
2	Open	Open
3	Open	Close

Model Designation MM

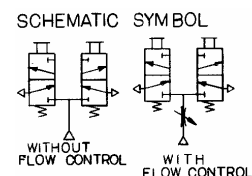
Lever Position	Out Port X	Out Port Y
1	Open	Close
2	Open	Open
3	Close	Close



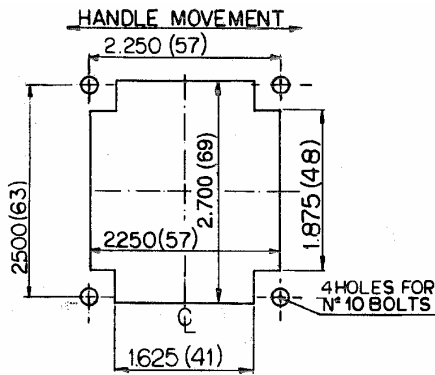
The standard Model 3604 Control Valve assembly is supplied as follows (3604-AHL):

- Non spring centered handle with three-position handle lock
- With chrome finish cover and handle
- See function table L

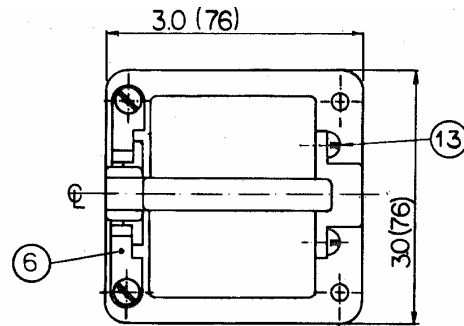
To order, state model number followed by model designation letter codes.



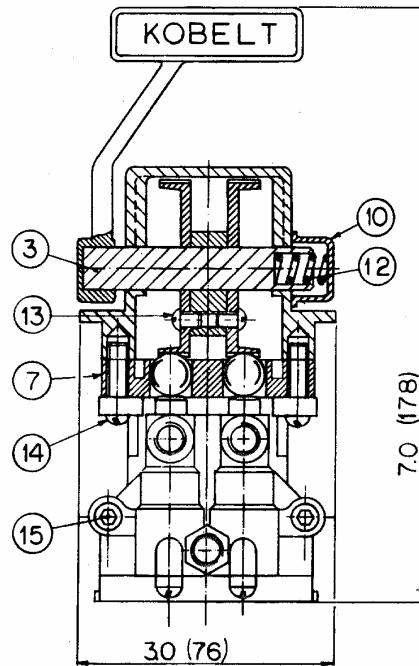
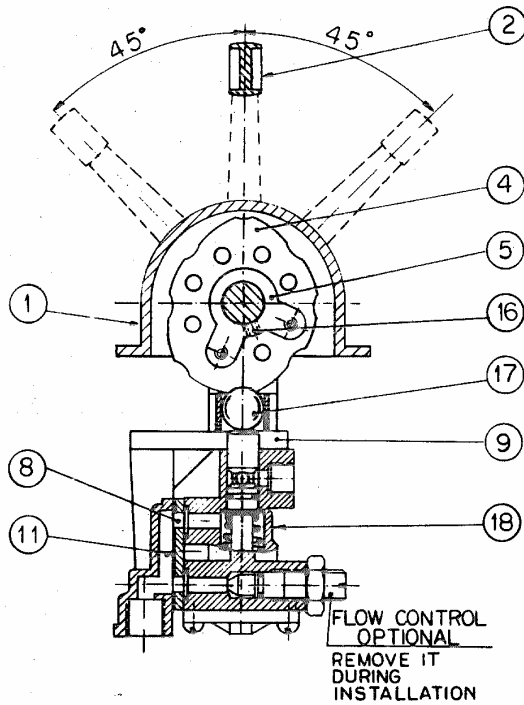
DIMENSIONS AND PARTS LIST MODEL 3604



CUT-OUT DIMENSIONS



All Dimensions in inches (mm)



Item	Qty	Part No.	Description	Item	Qty	Part No.	Description
1	1	3604-0001	Dome	10	1	3604-0010	Spring housing
2	1	3604-0002	Handle	11	1	3604-0011	Gasket
3	1	3604-0003	Handle shaft	12	1	1201-0037	Spring
4	2	3604-0004	Cam	13	6	1004-0804	Screw
5	1	3604-0005	Centre hub	14	2	1004-8016	Screw
6	1	3604-0006	Handle lock	15	2	1002-1020	Hex cap screw
7	1	3604-0007	Ball housing	16	1	1016-0804	Setscrew
8	1	3604-0008	Plate	17	2	1301-0016	Ball
9	1	3604-0009	Ports support	18	1	3803	Valve