

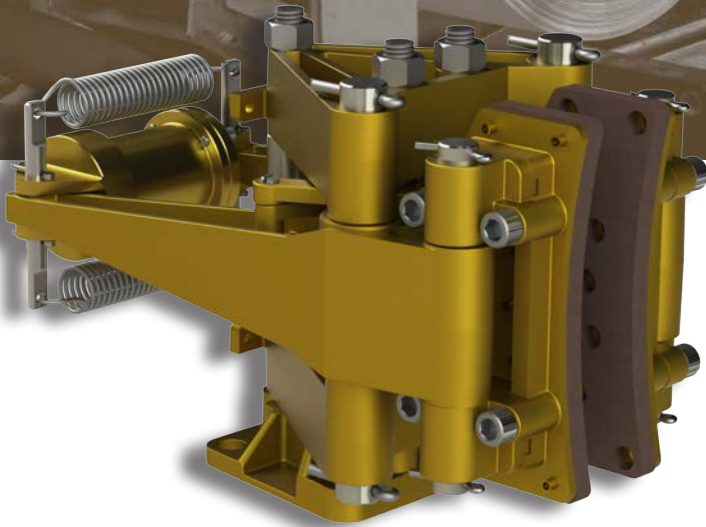
5020-H | HYDRAULIC APPLIED CALIPER DISC BRAKE

KEY BENEFITS

Bronze & stainless steel construction

Rapid brake pad change out

Well matched to Kobelt's standard range of 1¼" ventilated discs



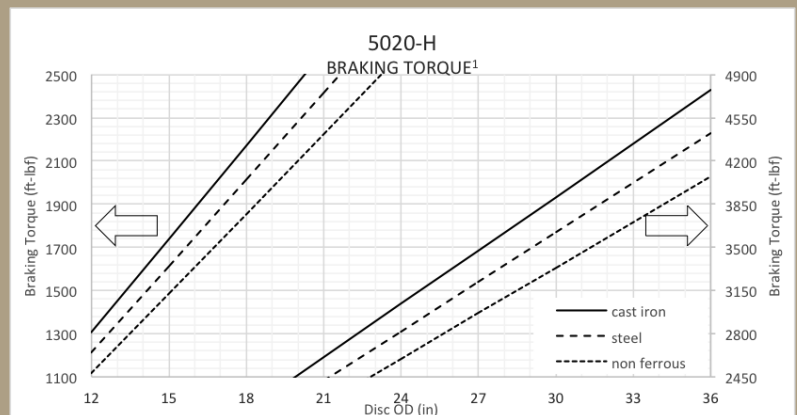
Putting you in control.

For over three decades, Kobelt has been manufacturing rugged, durable disc brakes for the oil and gas, mining, material handling and manufacturing industries. Constructed of bronze and stainless steel, Kobelt's disc brakes are built to last in the harshest conditions.

Available with several options, these caliper disc brakes are well suited for service braking applications on uncoilers, paper machines and more.

SPECIFICATIONS

Normal Force:	0...4230 lbs	[18.8 KN]
Maximum Pressure:	1000 psi	[69 bar]
Port Size:	-4 ORB	
Actuator Volume:	.6 in ³	[10 cc]
Temperature Range:	-40°F...+120°F -40°C...+49°C	
Disc Thickness:	1¼ in	[32 mm]
Minimum Disc Diameter:	12 in	[305 mm]
Maximum Disc Diameter:	unlimited ²	
Pad Life:	310 hp-hr	[230 kw-hr]
Weight:	30 lbs	[13.6 kg]

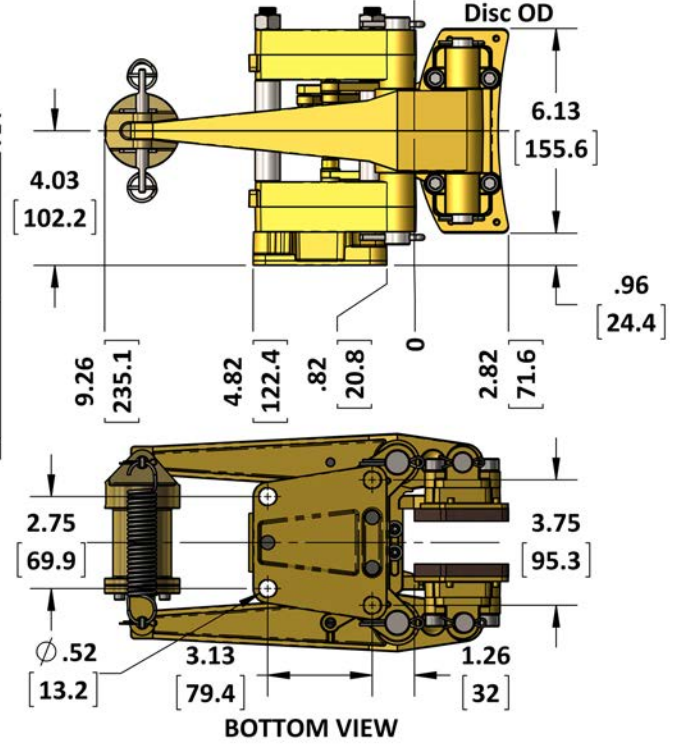
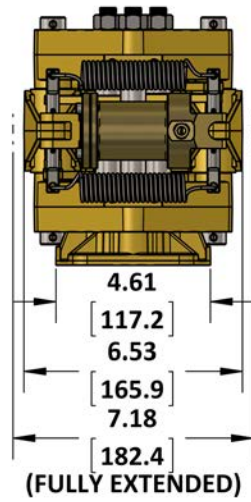


¹ Values in this chart are theoretical and for reference only. They are based on properly bedded and burnished linings acting on a rotor at 20°C and manufactured to required specifications.

² Requires a minimum 2.80 in [71 mm] wide face.

SPECIFICATIONS

FOOT MOUNTED VERSION



Brake Model Code Key

5020-H - -

Friction material

- (blank) = standard
- N = non-sparking
- C = low COF (.12-.15)
- E = mid COF (.25-.28)

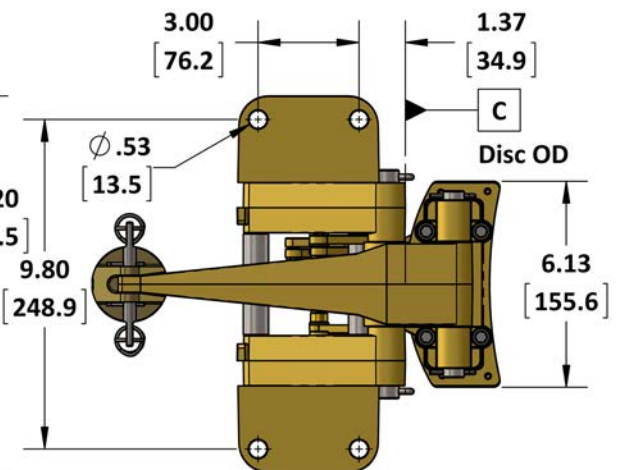
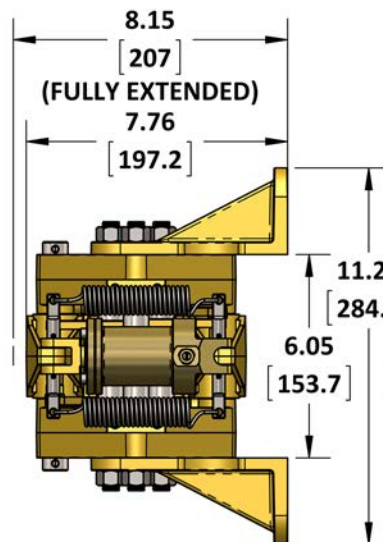
Disc thickness

- (blank) = 1.250 in
- 100 = 1.000 in
- 075 = 0.750 in
- 050 = 0.500 in

Mounting code

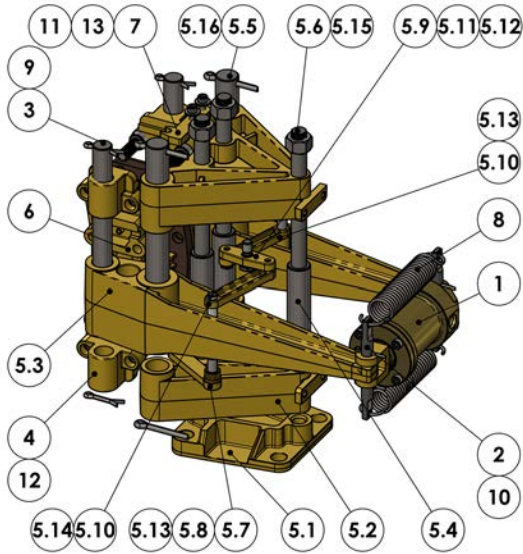
- (blank) = foot mounted
- W = side mounted

SIDE MOUNTED VERSION

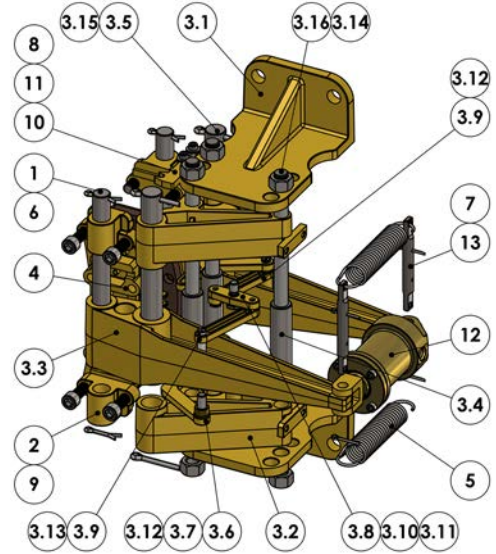


PARTS LISTING

5020-H Caliper Brake



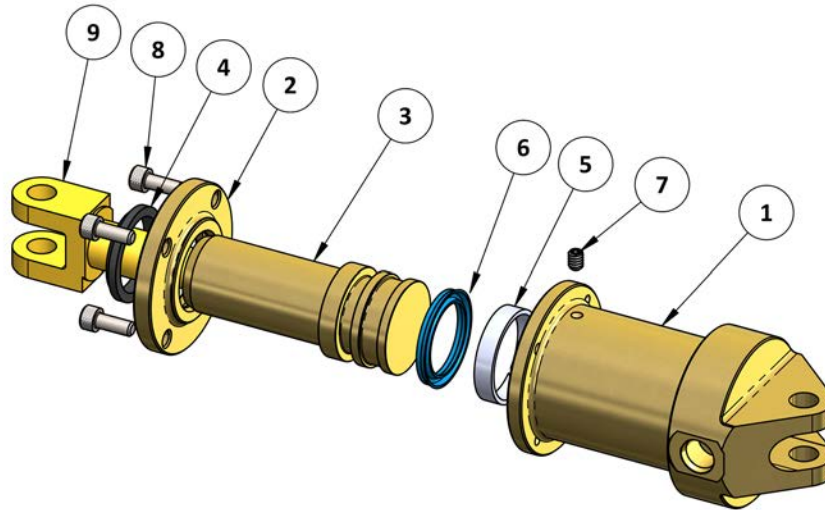
5020-HW Caliper Brake



ITEM	QTY.	PART NUMBER	5020-H DESCRIPTION
1	1	6112-H	HYDRAULIC ACTUATOR. 1200 LBS
2	2	6112-0107	CLEVIS PIN, 6107-H ACTUATOR
3	2	5021-0021	SHOE PIN, 5021 CALIPER
4	4	5021-0006	PIVOT BLOCK, 5021 CALIPER
5	1	5020-SUB-S	SUB ASSEMBLY, 5020 SPRING BRAKE
5.1	1	5020-0001	BASE, 5020 CALIPER
5.2	2	5020-0002	SADDLE, 5020 CALIPER
5.3	2	5021-0004	LEVER, 5021 CALIPER
5.4	3	5020-0003	SPACER, 5020 CALIPER
5.5	2	5020-0022	SADDLE PIN, 5020 CALIPER
5.6	3	5020-0023	TIE ROD, 5020 CALIPER
5.7	2	5020-0011	BALANCING LINK NO.1, 5020 CALIPER
5.8	1	5020-0027	SPACER, 5020 CALIPER
5.9	1	5020-0019	CENTRE PIVOT LINK, 5020 CALIPER
5.10	2	5020-0010	CONNECTING LINK, 5020 CALIPER
5.11	1	5020-0024	SHOULDER BOLT, 5020 CALIPER
5.12	2	5020-0025	SHOULDER BOLT, 5020 CALIPER
5.13	2	5021-0126	LINK PIN, LONG, 5020 CALIPER
5.14	1	5021-0026	LINK PIN, SHORT, 5020 CALIPER
5.15	3	1022-0114	HEX NUT, 1/2 UNC, GR 18-8
5.16	4	1026-0824	COTTER PIN, 3/16 X 1 1/2
6	2	5020-LS	SHOE ASSEMBLY, 3/8" K5
7	2	5020-0012	BALANCING LINK NO. 2, 5020 CALIPER
8	2	1202-0009	SPRING, EXTENSION, 0.83 OD X .080 WIRE, AISI 302, 14 TURNS
9	4	1026-0516	COTTER PIN, 1/8" X 1", SS
10	4	1026-0312	COTTER PIN, 3/32" X 3/4", SS
11	4	1023-0108	WASHER, FLAT, #10, TYPE A, SS
12	8	1002-1216	SCREW, SKT HD CAP, 3/8-16 UNC X 1, SS
13	4	1002-0808	SCREW, SKT HD CAP, #10-24 UNC x 1/2 LG, SS

ITEM	QTY.	PART NUMBER	5020-HW DESCRIPTION
1	1	6112-H	HYDRAULIC ACTUATOR. 1200 LBS
2	2	6112-0107	CLEVIS PIN, 6112-H ACTUATOR
3	2	5021-0021	SHOE PIN, 5021 CALIPER
4	4	5021-0006	PIVOT BLOCK, 5021 CALIPER
5	1	5020-SUB-SW	SUB ASSEMBLY, 5020 SIDE MOUNT CALIPER
5.1	2	5020-0028	BRACKET, SIDE MOUNT, 5020 CALIPER
5.2	2	5020-0002	SADDLE, 5020 CALIPER
5.3	2	5021-0004	LEVER, 5021 CALIPER
5.4	3	5020-0003	SPACER, 5020 CALIPER
5.5	2	5020-0022	SADDLE PIN, 5020 CALIPER
5.6	3	5020-0023-W	TIE ROD, 5020 SIDE MOUNT CALIPER
5.7	2	5020-0011	BALANCING LINK NO.1, 5020 CALIPER
5.8	1	5020-0027	SPACER, 5020 CALIPER
5.9	1	5020-0019	CENTRE PIVOT LINK, 5020 CALIPER
5.10	2	5020-0010	CONNECTING LINK, 5020 CALIPER
5.11	1	5020-0024	SHOULDER BOLT, 5020 CALIPER
5.12	2	5020-0025	SHOULDER BOLT, 5020 CALIPER
5.13	2	5021-0126	LINK PIN, LONG, 5020 CALIPER
5.14	1	5021-0026	LINK PIN, SHORT, 5020 CALIPER
5.15	6	1022-0114	HEX NUT, 1/2 UNC, GR 18-8
5.16	4	1026-0824	COTTER PIN, 3/16 X 1 1/2
6	2	5020-LS	SHOE ASSEMBLY, 3/8" K5
7	2	1202-0009	SPRING, EXTENSION, 0.83 OD X .080 WIRE, AISI 302, 14 TURNS
8	4	1026-0516	COTTER PIN, 1/8" X 1", SS
9	4	1026-0312	COTTER PIN, 3/32" X 3/4", SS
10	4	1023-0108	WASHER, FLAT, #10, TYPE A, SS
11	8	1002-1216	SCREW, SKT HD CAP, 3/8-16 UNC X 1, SS
12	2	5020-0012	BALANCING LINK NO. 2, 5020 CALIPER
13	4	1002-0808	SCREW, SKT HD CAP, #10-24 UNC x 1/2 LG, SS

6112-H Actuator



ITEM	QTY.	PART NUMBER	6112-H DESCRIPTION
1	1	6112-0201	CYLINDER, 6112-H ACTUATOR
2	1	6112-0202	END CAP, 6112-H ACTUATOR
3	1	6112-0103	PISTON, 6112-H ACTUATOR
4	1	1102-6015	WIPER, AN, 1" ID
5	1	1102-9205	WEAR RING, 1.25" OD X .062" THK X 0.25" WIDE, NYLON
6	1	1102-2009-H	SEAL, PISTON, U-CUP, 1-1/4" X 1" X 1/8"
7	1	1016-0804	SET SCREW 10-24 X 1/4, SS
8	4	1002-0808	SCREW, SKT HD CAP, #10-24 UNC x 1/2 LG, SS
9	1	6212-0005S	CLEVIS, 6212 ACTUATOR, SHORT

Note: Parts lists are applicable to standard models only.