



Picture showing the electronic control head 6501-TC c/w the optional panel base

MODEL 6501S ILLUMINATED ELECTRONIC CONTROL HEAD (MIGHTY MARINER SYSTEM)

The 6501S is the illuminated version of the 6505S control head used in the “Mighty Mariner” system which offers not only compact design but the features of a full size control. Where space and visibility are limited this is the head of choice.

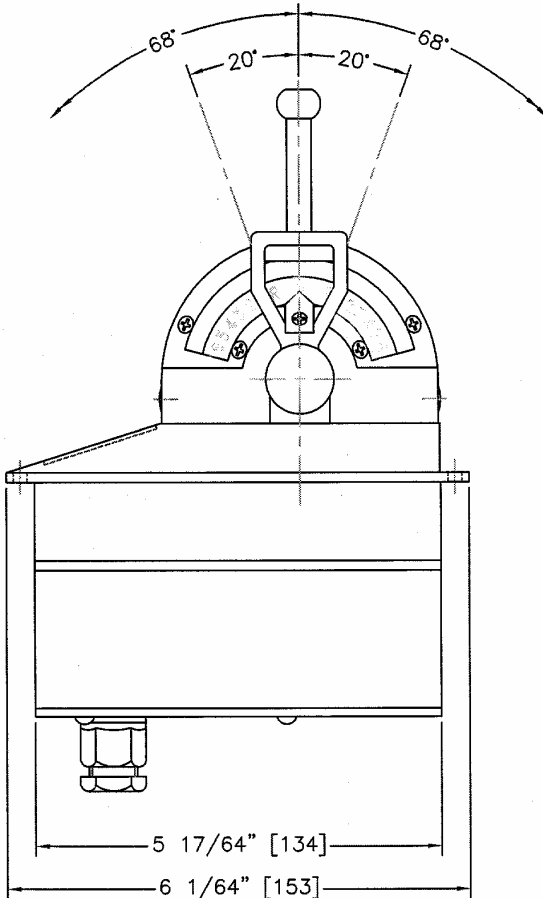
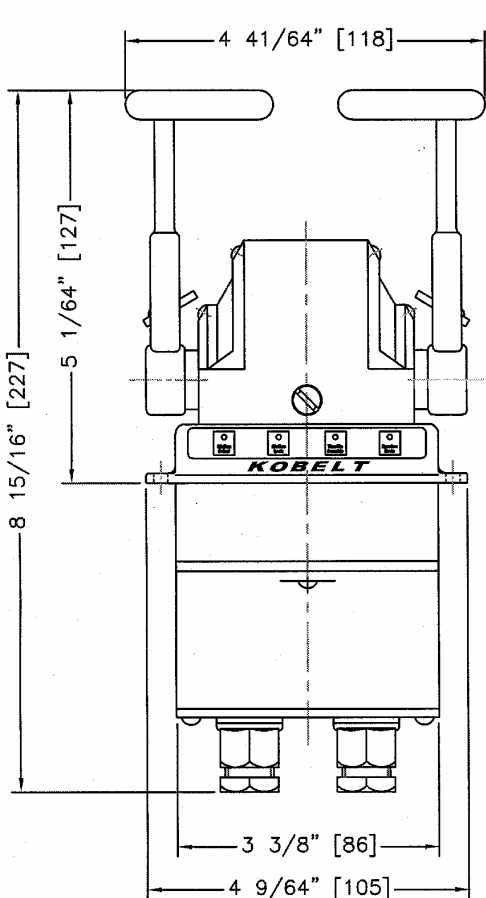
The housing and handles are manufactured of bronze and stainless steel. Finish options include chrome, black or white epoxy paint and polished bronze.

The unit uses a water resistant keypad but is not waterproof. The keypad offers switches for the standard features: Station Select, Station Lock, Throttle Override and Synchronization. Incorporation of the latest electronic technology allows this head to team up with any of the Kobelt “Mighty Mariner” control systems.

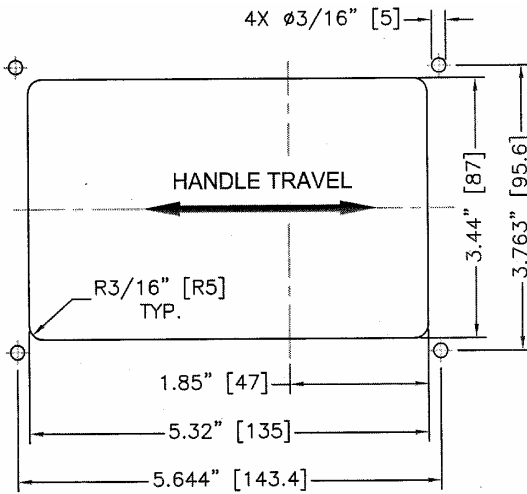
The standard head comes without base but with potentiometers. Options are available.

# Engines:	single or twin
Finish:	chrome or black or white or polished bronze
Handle:	standard, plastic grip or ‘Elegante’ style
# Potentiometer:	one or two
Panel keypad:	four switches

MODEL 6501S

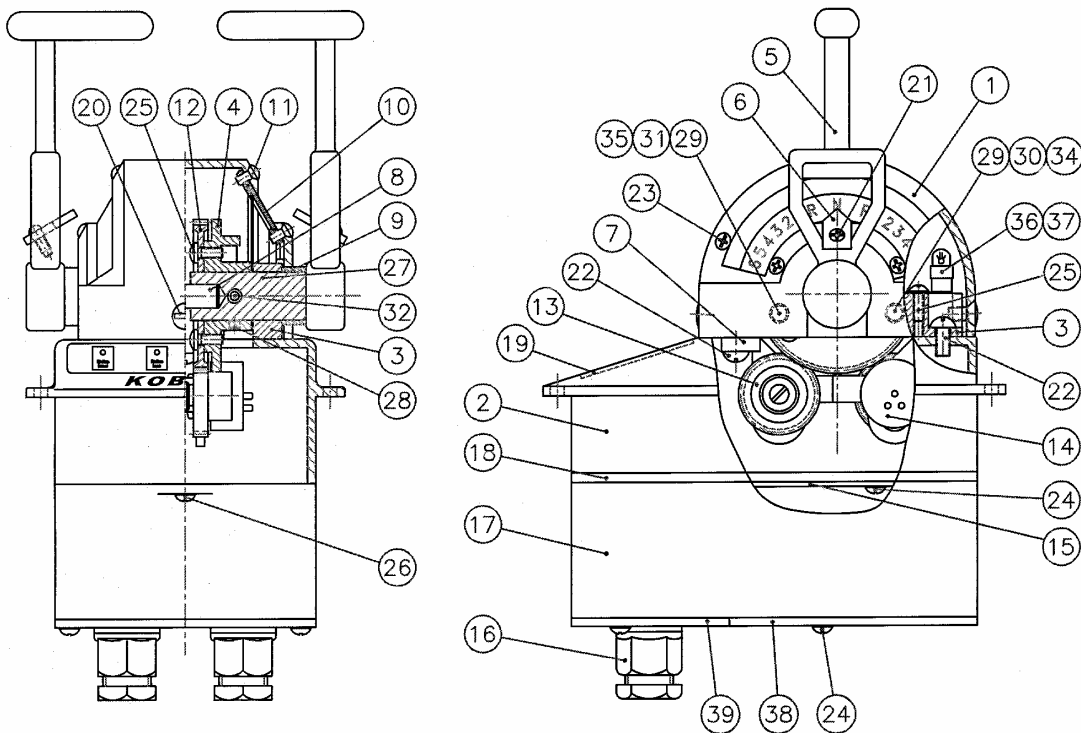


All Dimensions in inches (mm)



CUT-OUT DIMENSIONS

Parts List Model 6501S



Item	Qty	Part Number	Description	Item	Qty	Part Number	Description
1	1	6501-0001	Dome	22	6	1010-0806	Rd Hd Philips capscrew
2	1	6501-0002	Upper box	23	12	1011-0404	Oval hd Philips capscrew
3	1	6501-0003	Frame	24	8	1012-0604	Pan hd Philips capscrew
4	2	6501-0004	Cam	25	4	1012-0606	Pan hd Philips capscrew
5	2	6501-0005	Handle	26	2	1012-0608	Pan hd Philips capscrew
6	2	6501-0006	Pointer	27	2	6501-0012	Handle shaft
7	1	6501-0007	Bracket	28	2	1016-0602	Set screw
8	1	6501-0008	Inner pin	29	4	1016-1204	Set screw
9	2	6501-0009	Spacer	30	2	2542-0008	Friction plug
10	1	6501-0010L	Label - left	31	2	2009-0011	Detent plunger
10	1	6501-0010R	Label - right	32	2	1024-0816	Spring pin
11	2	6501-0011	Label support	34	2	1201-0205	Spring (friction)
12	2	6501-3264	Spur gear, 64T	35	2	1201-0206	Spring (detent)
13	2	YPB-3232	Spur gear, 32T	36	4	6522-0013	Lamp socket 53-223-6
14	2	Pot-5	Potentiometer, 5K	37	4	6522-0028	Lamp #85
15	1	6505-2001	Head board	38	1	6505-0004-L	Cover plate - large
16	2	6001-0249	Connection gland	39	1	6505-0004-S	Cover plate - small
17	1	6505-0002	Lower box				
18	1	6505-0003	Mounting frame	5**	2	6501-0105	Handle (single engine)
19	1	6509-0019	Switch pad (standard)	5**	2	6501-0205	Handle (Elegante style)
20	2	1005-0806	Oval hd slot capscrew	5a**	1	6501-0013	Rubber insert
21	2	1010-0604	Rd Hd Philips capscrew	5b**	1	6501-0014	Hand grip
				5c**	2	1011-1028	Oval hd Philips capscrew

** options