



## MODEL 6531 ELECTRONIC ACTUATOR

Weight = 20 lb. (9 kg) approx

The actuator is made in bronze and stainless steel. It has a worm wheel drive onto a spur gear drive giving a reduction gear ratio of 200 to 1. The output shaft has a total of 90° of rotation and a maximum torque of 150 in.-lb.

What really separates the Kobelt actuator from other actuators is the electric clutch which disengages upon power failure, allowing the unit to be manually controlled or mechanically remote controlled.

A spring mechanism is available that will return the clutch to neutral and the throttle to idle automatically upon power failure. The Throttle Actuator can be reversed in the field for either left hand or right hand

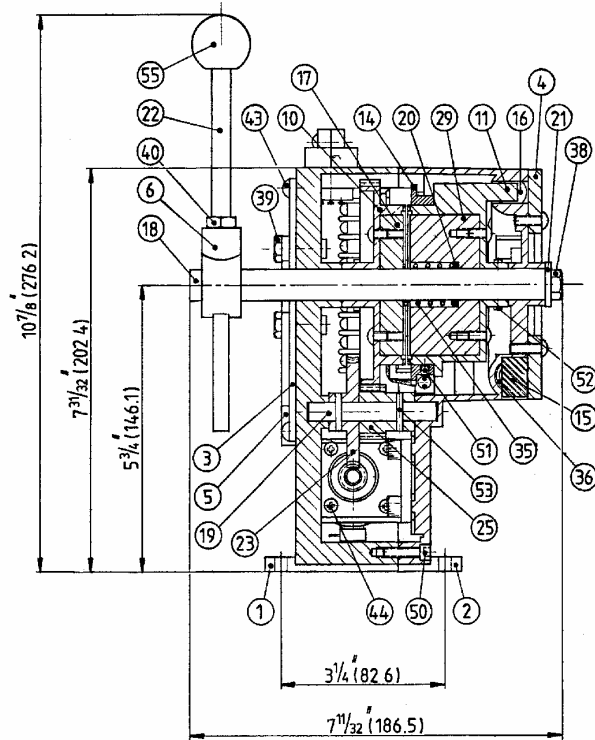
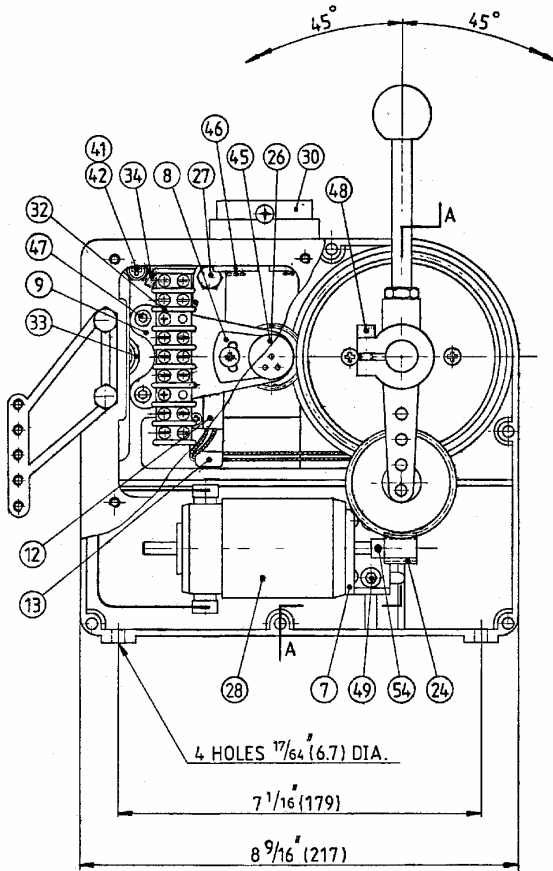
rotation. The Clutch Actuator can also be adjusted simply by reversing wires that are easily accessible. The main controller can be adjusted to limit the handle travel in either direction to suit either the gearbox or throttle movements.

This Actuator can be used for controlling:

- Reverse gear
- Control valves
- Engine throttles
- CP propellers
- Trolling valves

and innumerable other applications, both in the marine industry as well as any industry in general.

# DIMENSIONS AND PARTS LIST MODEL 6531

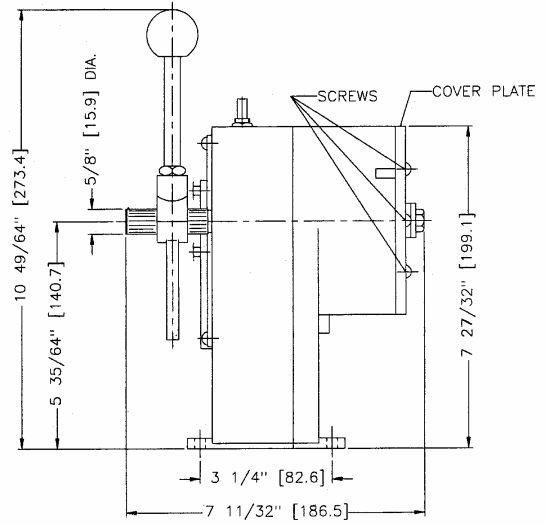
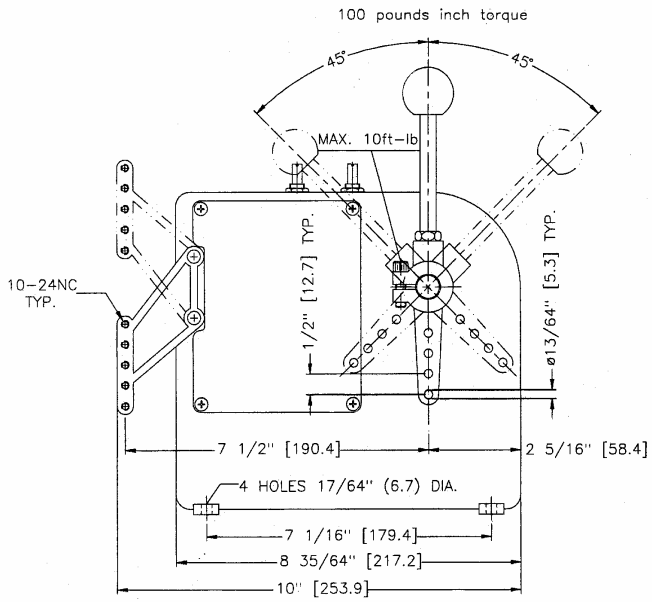


SECTION A-A

Item	Qty	Part Number	Description	Item	Qty	Part Number	Description
1	1	6531-0001	Front Housing	29	1	6531-0029	Pulling Coil
2	1	6531-0002	Rear Housing	30	1	6531-0030	Clamp
3	1	6531-0003	Front cover Plate	32	1	6531-0031	Terminal Block
4	1	6531-0004	Spring Cover	33	1	6531-0032	Gland
5	1	6531-0005	Cable Support	34	1	1202-0005	Spring
6	1	6531-0006	Output Lever	35	1	1201-0193	Spring
7	1	6531-0007	Motor Mounting Bracket	36	1*	1201-0178	Spring (Clutch)
8	1	6531-0008	Potentiometer Adjusting Bracket	37	1*	1201-0179	Spring (Throttle)
9	1	6531-0009	Potentiometer Support Bracket	38	1	1001-1108	Hex Hd Cap Screw
10	1	6531-0010	Main Drive Gear	39	2	1001-1010	Hex Hd Cap Screw
11	1	6531-0011	Coil Housing	40	1	1022-0212	Hex Nut
12	1	6531-0012	Wire Retainer	41	1	1022-0108	Hex Jam Nut
13	1	6531-0013	Wire Slack Lever	42	1	1010-0812	Round Hd Philip Screw
14	1	6531-0014	Ring Gear	43	16	1010-0808	Round Hd Philip Screw
15	1	6531-0015	Spring Stop	44	8	1012-0606	Pan Hd Philips Screw
16	2	6531-0016	Spring Seat	45	1	POT-5	Potentiometer 5K
17	1	6531-0017	Clutch Pulling Plate	46	2	POT-1	Potentiometer 1K
18	1	6531-0018	Main Shaft	47	2	1002-0812	Socket Hd Cap Screw
19	1	6531-0019	Primary Drive Shaft	48	1	1002-1014	Socket Hd Cap Screw
20	1	1023-0234	Shim	49	2	1002-1010	Socket Hd Cap Screw
21	1	6531-0021	Washer	50	7	1002-0812	Socket Hd Cap Screw
22	1	6531-0022	Handle Shaft	51	2	1016-0804	Hex Socket Set Screw
23	1	6531-0023	Pinion Gear	52	1	1024-0816	Spring Pin
24	1	6531-0024	Worm Gear	53	2	1024-0512	Spring Pin
25	1	6531-0025	Drive Gear	54	1	1024-0406	Spring Pin
26	1	6531-0026	Potentiometer - Drive Gear	55	1*	2030-0001	Knob (Black)
27	1	6531-0027	Hex Shoulder Bolt	55	1*	2030-0010	Knob (Red)
28	1	6531-0028	Motor				

\* Quantity may vary with option

# DIMENSIONS AND PARTS LIST MODEL 6531



To remove the return spring for failsafe requirement:  
 Remove four screws from cover plate to expose spring.  
 Under no circumstances should the screws or bolts be removed from shaft.