



## MODEL 7120 SAFETY AND BYPASS VALVE

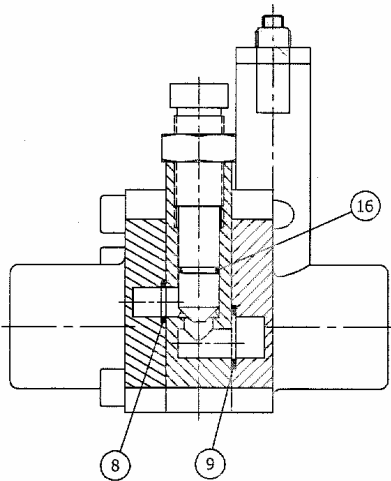
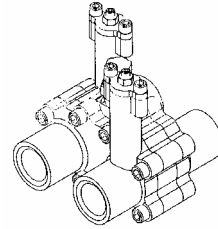
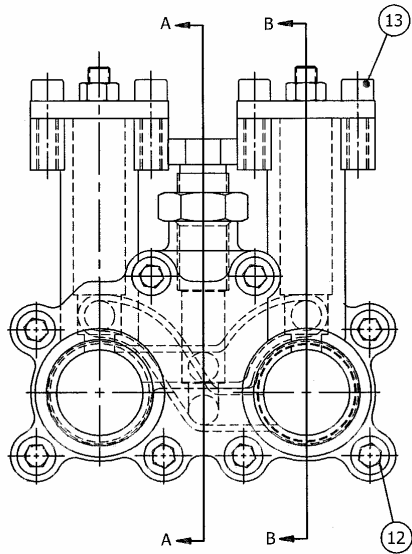
The purpose of this valve is to safeguard against damage to the steering gear or rudder from hydraulic shocks and over-pressure. This valve also incorporates the function of a bypass valve. This is very useful when bleeding the system or rotating the rudder by hand. The safety and bypass valve is installed near the steering cylinder between the port and starboard lines. The design of the valve allows plumbing directly into lines without the necessity of pipe tees.

|                 |                          |
|-----------------|--------------------------|
| Weight          | 12 lb. (5.4 kg)          |
| Relief Pressure | 2000 psi (138 bar)       |
| Pipe Port Size  | 1 5/16-12 O-ring fitting |
| Flow            | 50 US gpm (189 L/min.)   |

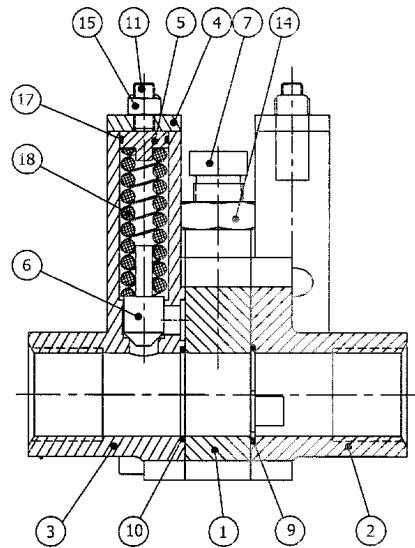
Data displayed are for information only and subject to change without notice

Please visit our website [www.kobelt.com](http://www.kobelt.com) for more information.

# 7120 Parts List



SECTION A-A



SECTION B-B

| Item | Qty | Part No.  | Description           | Item | Qty | Part No.  | Description           |
|------|-----|-----------|-----------------------|------|-----|-----------|-----------------------|
| 1    | 1   | 7120-0001 | Centre piece          | 10   | 2   | 7120-0010 | Gasket                |
| 2    | 1   | 7120-0002 | Manifold L.H.         | 11   | 2   | 1016-1112 | Set screw             |
| 3    | 1   | 7120-0003 | Manifold R.H.         | 12   | 8   | 1002-1236 | Socket head cap screw |
| 4    | 2   | 7120-0004 | Retainer              | 13   | 4   | 1002-1116 | Socket head cap screw |
| 5    | 2   | 7120-0005 | Upper spring retainer | 14   | 1   | 1022-0267 | Jam nut               |
| 6    | 2   | 7120-0006 | Plunger               | 15   | 1   | 1022-0111 | Hex nut               |
| 7    | 1   | 7120-0007 | Needle                | 16   | 1   | 1101-0016 | "O" ring              |
| 8    | 1   | 7120-0008 | Gasket                | 17   | 2   | 1101-0014 | "O" ring              |
| 9    | 1   | 7120-0009 | Gasket                | 18   | 2   | 1201-0223 | Spring                |

Data displayed are for information only and subject to change without notice



8238-129<sup>th</sup> Street, Surrey, B.C. Canada V3W 0A6  
Telephone 604-572-3935 Fax 604-590-8313

09/2009