



Model 7173-TXX Electronic Transfer Box

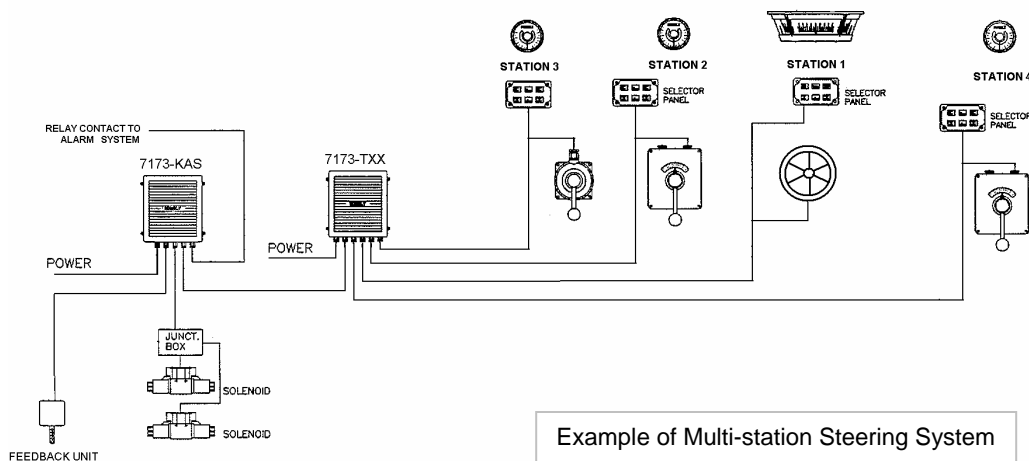
The device is used in full follow up steering system for up to four station control. This unit is designed to coordinate the orders from various station controls and transfer panels and relay the appropriate input signals to the Full Follow-Up Amplifier such as model 7173-KAS or 7173-K for steering control. The unit also provides an option of dimmer and lamp test for the controls.

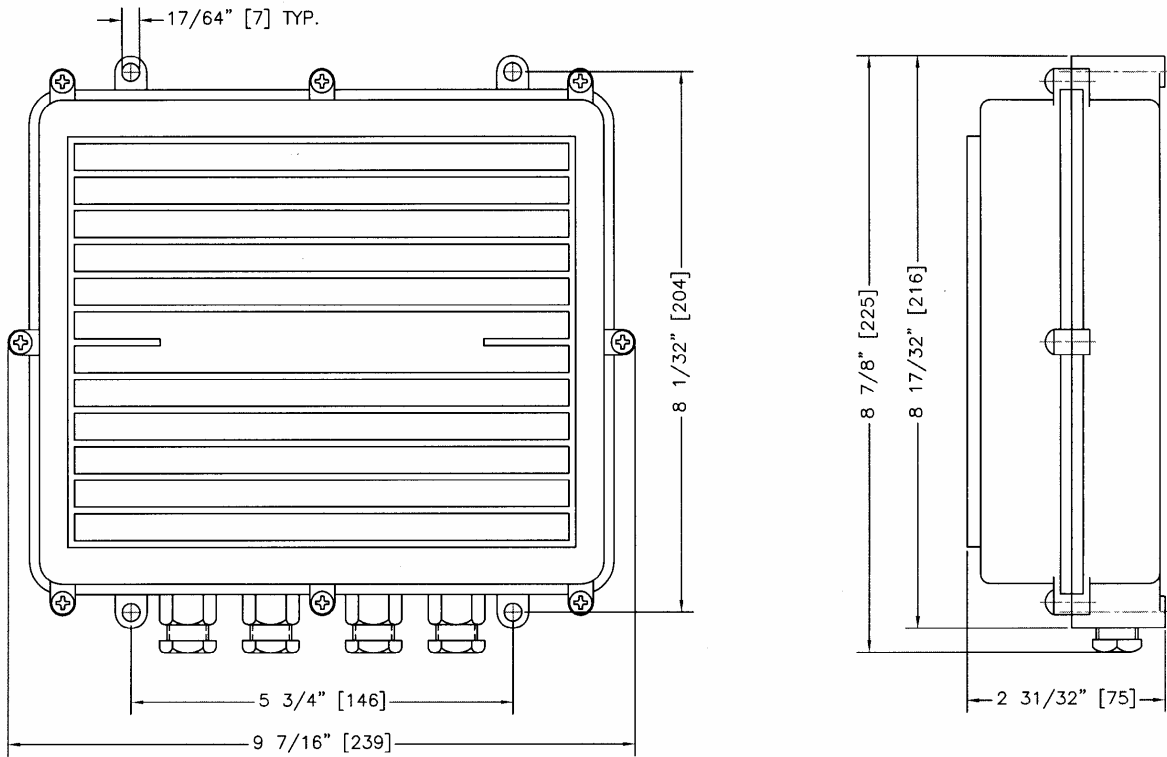
Operating on the relay logic platform, this unit operates with 12 or 24 VDC power input. It

can be expanded to serve greater number of control stations within the system limitation.

The device can be installed almost anywhere aboard ship because of its watertight and corrosion-resistant enclosure which can protect the equipment from the uncompromising effect of the environment.

Weight: 8 lb. (3.6 kg) approx.





PARTS LIST

Part number	Description	Quantity
7173-0001	Enclosure cover	1
7173-0005	Enclosure body	1
7173-TXX-C	Circuit board	1
6009-7853	Spacer	4
1012-0616	Cap screw	4
1010-0810	Cap screw	8
6001-0249	Cable gland	4
1101-0177	O-ring seal	1

Data displayed are for information only and subject to change without notice