

MODEL 7174 RUDDER ANGLE FEED BACK

This unit is designed to be mechanically connected to the rudder stock. Its purpose is to feed back the rudder angle position to such items as the Auto Pilot, Full Follow Up control systems and Rudder Angle Indicators. This unit is available with up to 3 potentiometers, 3 trim pots and 2 micro switches. It is constructed of bronze and stainless steel and will withstand vibration and corrosion for years.

Approx. weight: 6.5 lb (3 kg)

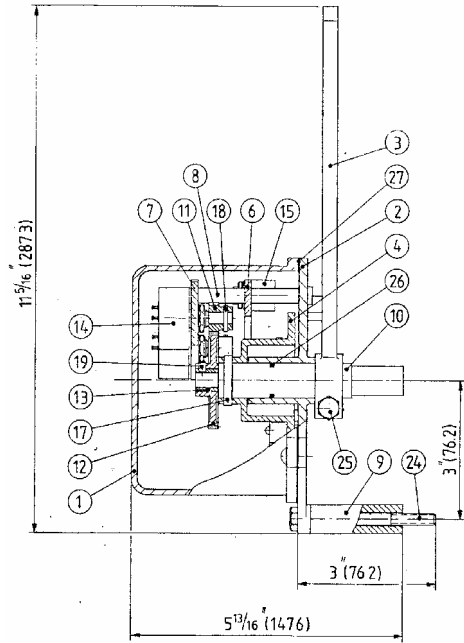
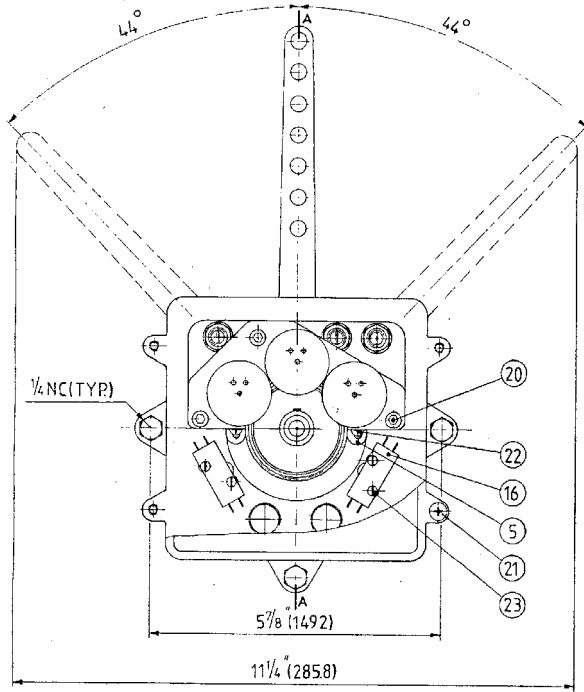
ORDERING INFORMATION

A	2 Switches and 1 Potentiometer
B	2 Switches and 2 Potentiometers
C	2 Switches and 3 Potentiometers
D	1 Trim pot
E	2 Trim pots
F	3 Trim pots
G	4 Switches
P	1 Potentiometer

e.g. 7174-CE
2 switches and 3 potentiometers plus 2 trim pots.

Note: Ohms rating for potentiometer must be specified when ordering.

DIMENSIONS AND PARTS MODEL 7174



All Dimensions in inches (mm)

Weight 7 lbs. (3.2 Kg)

ITEM	QTY	PART NUMBER	DESCRIPTION	ITEM	QTY	PART NUMBER	DESCRIPTION
1	1	7174-0001	Housing	15	1-3	6002-4003	Trim Pot – 10K
2	1	7174-0002	Cover	16	2	6001-0104	Micro switch
3	1	7174-0003	Lever	17	1	1024-0818	Spring Pin
4	1	7174-0004	Cam Plate	18	3	1024-0408	Spring Pin
5	2	7174-0005	Cam	19	1	1016-0602	Hex Socket Set Screw
6	1	7174-0006	Plate	20	3	1002-0840	Socket Hd Cap Screw
7	1	7174-0007	Plate	21	4	1010-0806	Round Hd Philips Screw
8	6	7174-0008	Spacer	22	2	1012-0606	Round Hd Philips Screw
9	1	7174-0009	Spacer	23	4	1006-0320	Pan Hd Slotted Screw
10	1	7174-0010	Shaft	24	3	1001-1040	Hex Bolt
11	3	Y-3220	Gear	25	1	1001-1022	Hex Hd Mach. Screw
12	1	.YPB-3264	Gear	26	1	1101-0016	O-Ring
13	1	7171-0011	Bushing	27	1	7174-0027	Gasket
14	1-3	POT-1	Potentiometer-1K				