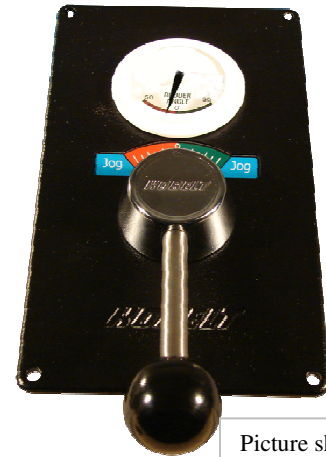


MODEL 7197 Single FFU/Jog Combination Controller

This dual mode combination single lever is Kobelt's latest development in providing Full Follow Up rudder control with a jog steering as the secondary control. The 7197 is intended for electric over hydraulic steering systems. To complete the systems, a 7173-K steering amplifier, a steering (directional control) solenoid valve and rudder feedback unit complete with potentiometers and limit switches is required. For systems with more than one station, a transfer box and station selector switches at each station are also needed.



Picture shows a 7197 unit with an optional indicator

Operating the FFU lever controller will activate the amplifier and cause the steering hydraulic steering gear to move in the desired direction. When the handle is released, the FFU lever stays in that position and the steering gear will continue to move ("FOLLOW UP") until it reaches that preferred position, at which point the amplifier will de-activate the solenoid and the steering gear stops and holds in that position.

In the event a problem occurs with the steering amplifier or the rudder feed back unit, you can switch to jog steering (non-follow up) mode. Whilst in this mode, steering can be achieved by pushing the lever hard over against the enclosed spring. Releasing the handle will cause the lever to spring back about five degrees; the steering gear stops and does not move until you operate the jog lever again.

The standard 7197 comes with one potentiometer and two switches. Up to three potentiometers and two limit switches are available. Other optional items such as a 7180 (2-1/8" diameter) indicator or mode selector switches and/or station transfer switches can be added. The controller (with the exception of switches and potentiometers) is constructed entirely of die cast bronze complemented by stainless steel hardware for longevity in a marine environment.

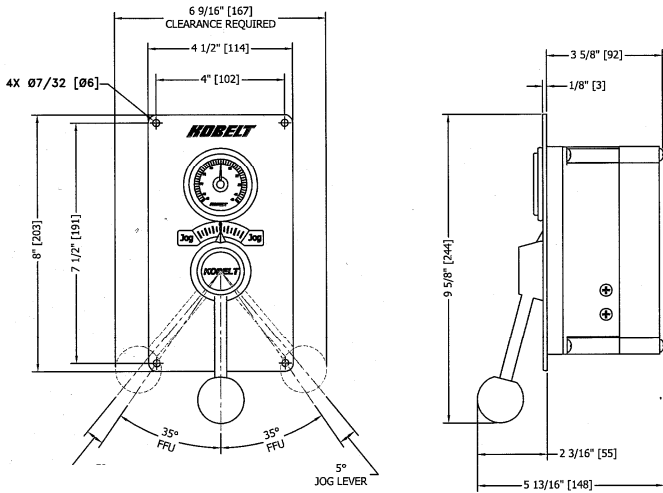
Designation Code when ordering: 7197-(code 1)-(code 2)

Code 1	Code 2
B – black finish	A – two switches, one 1K potentiometer
C – chrome finish	B – two switches, two 1K potentiometers
W – white finish	C – two switches, three 1K potentiometer
L – polished bronze	H – two switches, one 5K potentiometer
	M – with master indicator
	R – with repeater indicator
	S2 – with two central buttons
	S3 – with three central buttons
	S4 – with four central buttons
	12 – 12 volt DC lamp for indicator
	24 – 24 volt DC lamp for indicator

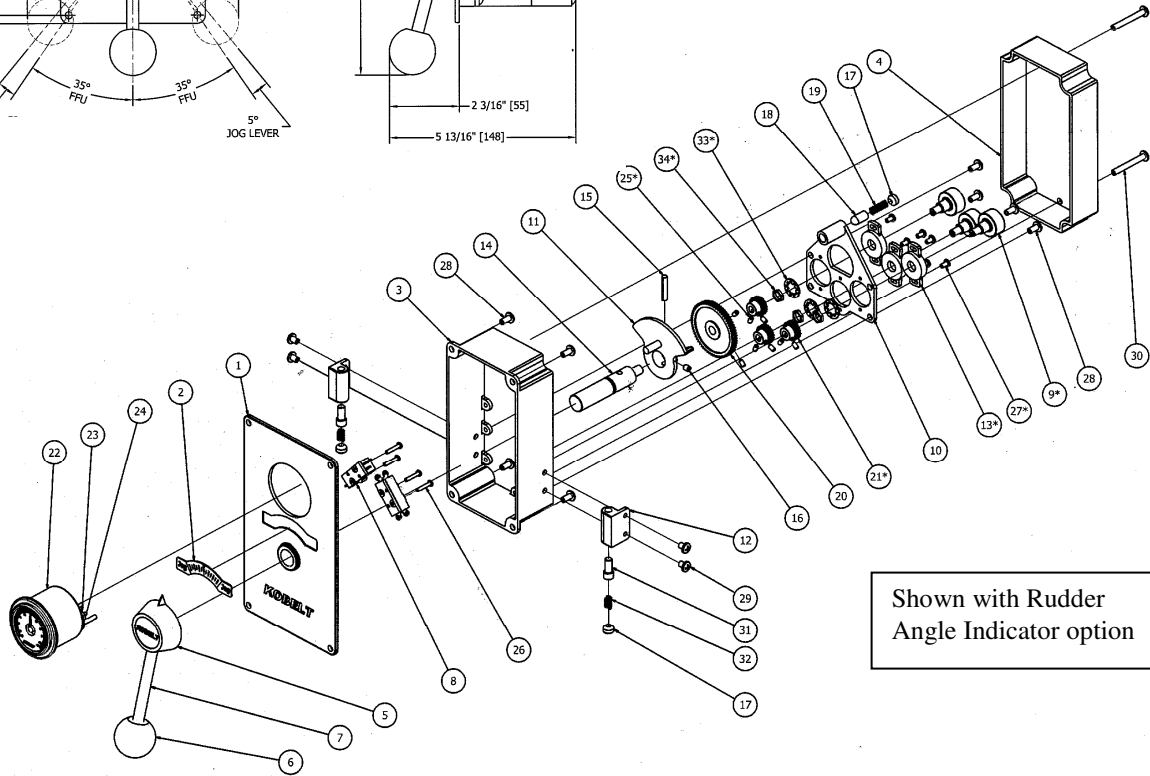
Net weight: 6.7 lbs. (3.0 Kg)

Base dimensions: 4-1/2" x 8" (114 x 203 mm)

DIMENSIONS AND PARTS LIST



Panel cut out: 3-5/8" x 6-5/8"
(92 x 170 mm)



Shown with Rudder
Angle Indicator option

ITEM	QTY	PART NUMBER	DESCRIPTION
1	1	7197-0001	Front panel
2	1	7197-0009	Label
3	1	7197-0002	Frame housing
4	1	7197-0003	Cover
5	1	7197-0008	Hub
6	1	2030-0001	Knob
7	1	7171-0006	Handle
8	2	6001-0104	Microswitch 11-104
9	3*	POT-1	1K Potentiometer
10	1	7197-0004	Plate
11	1	7197-0005	Cam
12	2	7197-0006	Detent block
13	3*	7197-0007	Potentiometer bracket
14	1	7197-0014	Shaft
15	1	1024-0816	Spring pin
16	1	1016-0814	Setscrew
17	3	1016-1204	Setscrew

ITEM	QTY	PART NUMBER	DESCRIPTION
18	1	2545-0012	Detent pin
19	1	1201-0062	Spring pin
20	1	7171-0010	Gear YPB-3264
21	3*	7171-0009	Gear Y-3232
22	1*	7180	Rudder angle indicator
23	4*	1022-0106	Regular hex nut
24	2*	1022-0107	Regular hex nut
25	8*	1002-0604	Setscrew
26	4	1004-0410	Round head machine screw
27	6*	1012-0404	Pan head machine screw
28	8	1010-0806	Round head machine screw
29	4	1010-0804	Round head machine screw
30	2	1010-0824	Round head machine screw
31	2	7197-0010	Detent pin
32	2	1201-0002	Spring pin
33	3*	◇ Pot-LW	Potentiometer lock washer
34	3*	◇ Pot-NUT	Potentiometer nut

* quantity may vary with options

◇ part comes with potentiometer

