

Model 7198 Dual lever FFU/Jog Combination Controller



This dual mode combination dual lever is an extension of our 7197 single lever controller. Each lever provides Full Follow-Up rudder control with a jog steering as the secondary control for each steering gear. The 7198 is intended for electric over hydraulic steering systems with two steering gears that are hydraulically and mechanically independent of each other. To complete the system, 7173-K steering amplifier, steering (directional control) solenoid valves and rudder feedback unit complete with potentiometers and limit switches, are required for each gear. For systems with more than one station, a transfer box and station selector switches at each station are also required.

The 7198 system can provide synchronized rudder control with one lever (right hand side by default) and/or independent rudder control with each lever controlling its own steering gear. The helm order indicator and rudder angle indicator must match before selecting FFU mode control.

In the event a problem occurs with the steering amplifier or the rudder feed back unit, you can switch mode to jog steering and then push the lever hard over against the enclosed springs on either end. Releasing the handle will cause the lever to spring back about five degrees; the steering gear stops and stays in that position until you operate the jog lever again.

Each control unit of the 7198 can accommodate with up to three potentiometers and two limit switches. With ample space between the two levers, optional items such as mode selector switches for selection of synchronized or independently operated rudders, and/or station transfer switches can be added. The controller (with the exception of switches and potentiometers) is constructed entirely of die cast bronze complemented by stainless steel hardware for longevity in the marine environment.

Code designation when ordering: 7198-(code 1)-(code 2)

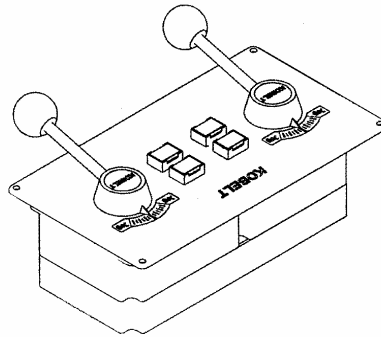
code 1	code 2
B – black finish C – chrome finish L – polished bronze finish W – white finish	A – two switch, one 1K potentiometer for each control unit B – two switches, two 1K potentiometers for each control unit C – two switches, three 1K potentiometer for each control unit M – with master indicator R – with repeater indicator 12 – 12 volt DC lamp for indicator 24 – 24 volt DC lamp for indicator S2 – with two central buttons respectively S3 – with three central buttons S4 – with four central buttons

Net weight: 12.7 lb. (5.8 kg) approx.

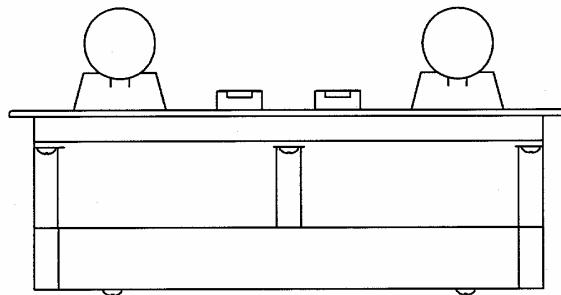
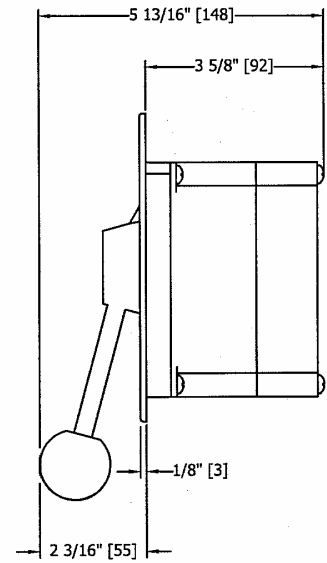
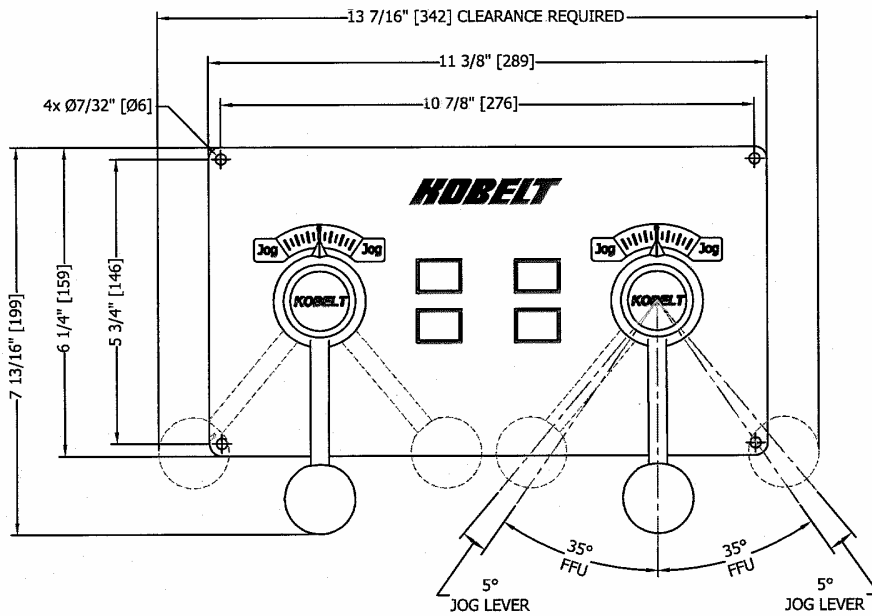
Dimensions: 11-3/8" x 6-1/4" (289 mm x 159 mm)

Please visit our website www.kobelt.com for more information.

MODEL 7198

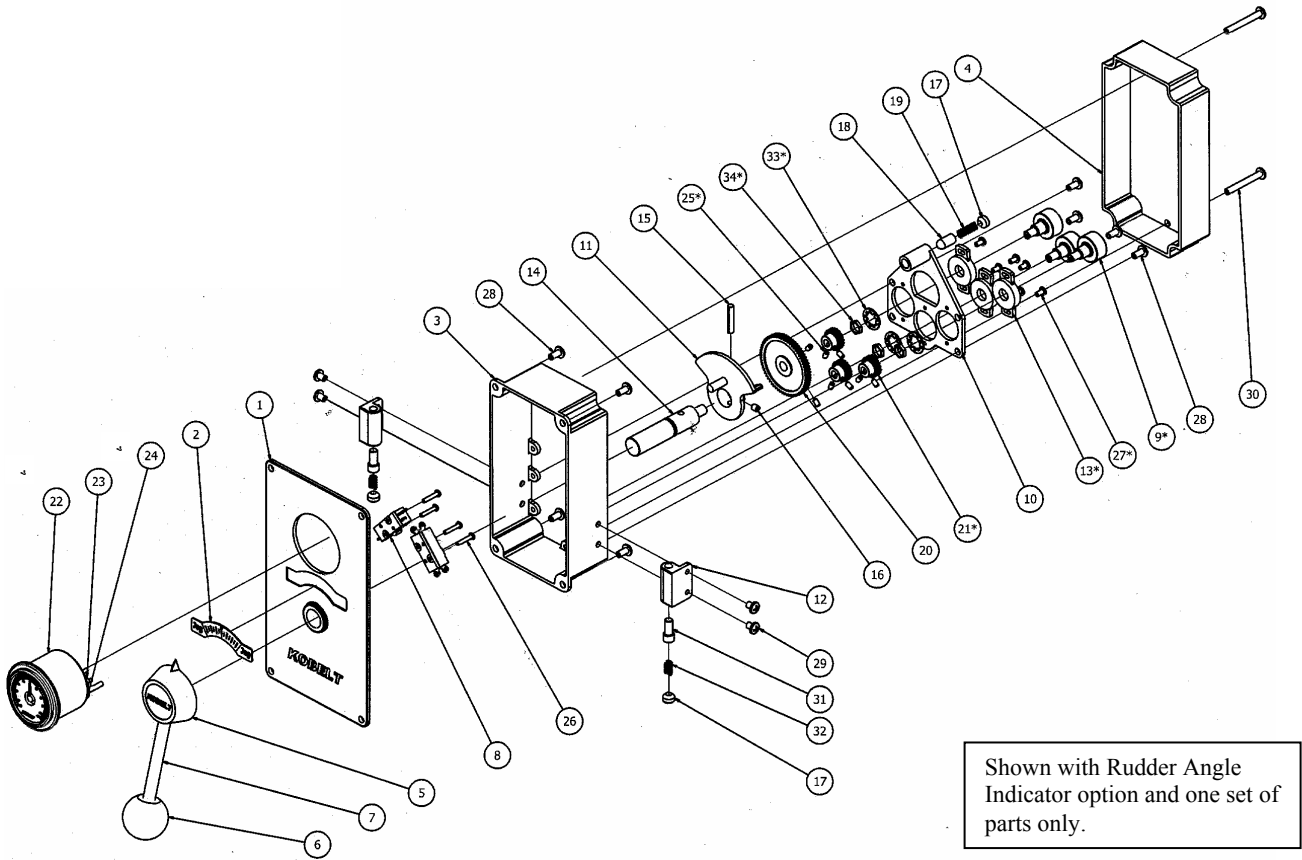


Panel cut out: 10-3/8" x 4-3/4"
(264 x 120 mm)



- Notes: (1) All dimensions in inches. Millimeter is shown in parenthesis.
(2) Drawing is subject to change without notice.

PARTS LIST



ITEM	QTY	PART NUMBER	DESCRIPTION
1	1	7198-0001	Front panel
2	2	7197-0009	Label
3	1	7198-0002	Frame housing
4	1	7198-0003	Cover
5	2	7197-0008	Hub
6	2	2030-0001	Knob
7	2	7171-0006	Handle
8	4	6001-0104	Micro switch 11-104
9	4*	POT-1	1K Potentiometer
10	2	7197-0004	Plate
11	2	7197-0005	Cam
12	4	7197-0006	Detent block
13	4*	7197-0007	Potentiometer bracket
14	2	7197-0008	Shaft
15	2	1024-0816	Spring pin
16	2	1016-0814	Setscrew
17	6	1016-1204	Setscrew

ITEM	QTY	PART NUMBER	DESCRIPTION
18	2	2545-0012	Detent pin
19	2	1201-0062	Spring pin
20	2	7171-0010	Gear YPB-3264
21	6*	7171-0009	Gear Y-3232
22	*	7180	Rudder angle indicator
23	*	1022-0106	Regular hex nut
24	*	1022-0107	Regular hex nut
25	16*	1002-0604	Setscrew
26	8	1004-0410	Round head machine screw
27	12*	1012-0404	Pan head machine screw
28	12	1010-0806	Round head machine screw
29	8	1010-0804	Round head machine screw
30	4	1010-0824	Round head machine screw
31	4	7197-0010	Detent pin
32	4	1201-0002	Spring pin
33	6*	◇ Pot-LW	Potentiometer lock washer
34	6*	◇ Pot-NUT	Potentiometer nut

* quantity may vary with options

◇ comes with potentiometer