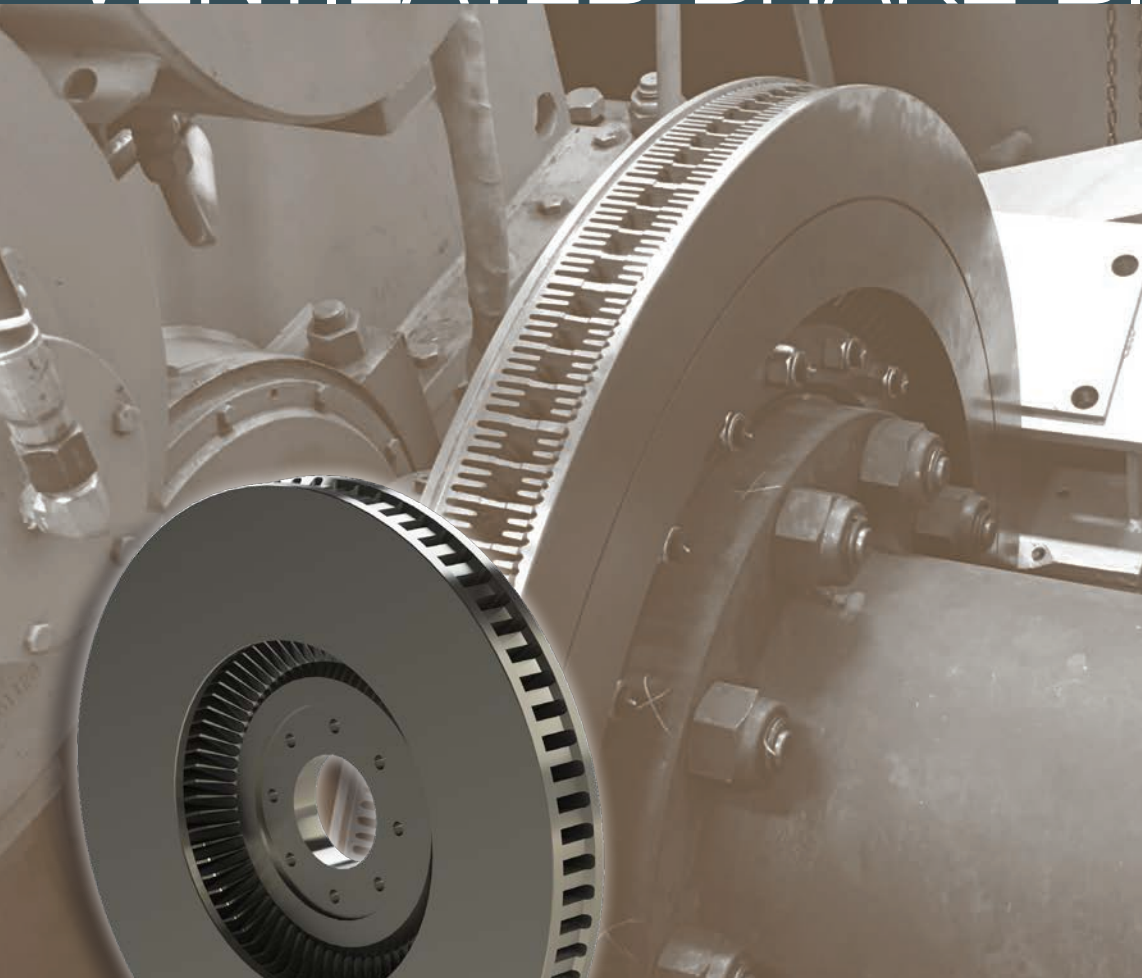


VENTILATED BRAKE DISCS | 2" x 4" SERIES



KEY FEATURES

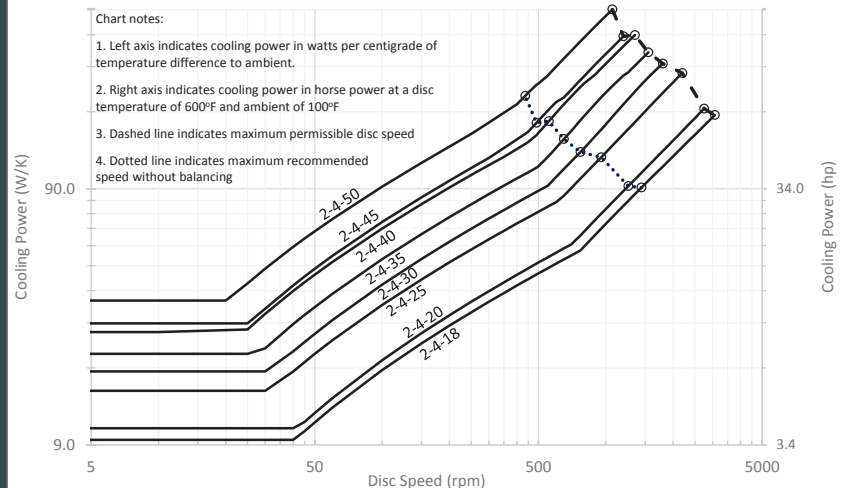
- Ideal for tensioning & controlled braking applications.
- Intended for use with the 5021, 5022, 5023, 5024 & 5027 caliper brakes.
- Eight sizes available.
- Supplied standard with rough stock bore. Custom mounting details available.
- Available in bronze.
- Available with balancing.

SPECIFICATIONS

DISC PART NO.	HEAT SINKING CAPACITY	
	(KJ/K)	(hp-sec/F)
2-4-18	13.8	10.3
2-4-20	15.9	11.9
2-4-25	19.4	14.5
2-4-30	27.3	20.4
2-4-35	32.1	23.9
2-4-40	35.1	26.2
2-4-45	37.6	28.1
2-4-50	44.8	33.4

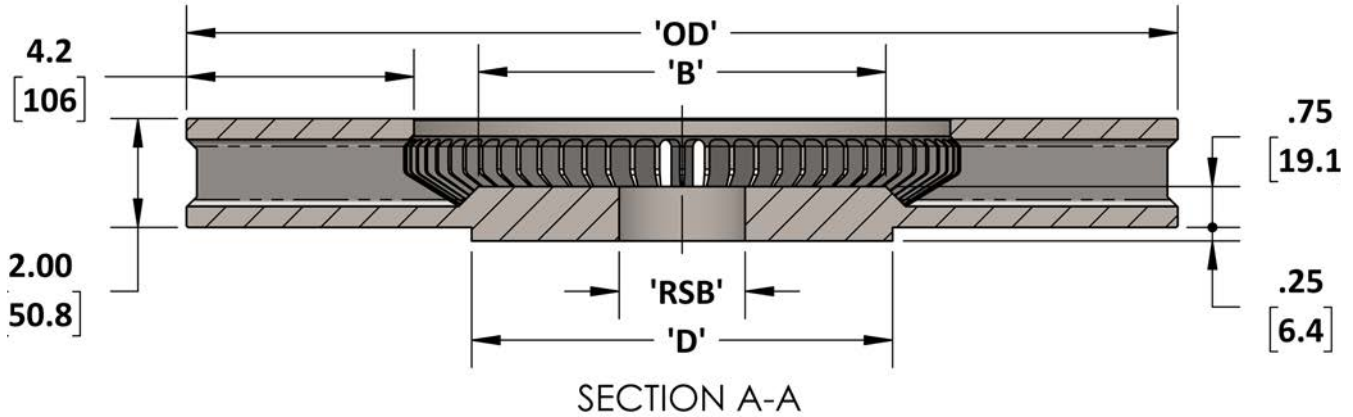
VENTILATED DISC PERFORMANCE

2" X 4" Series



Note: Values in this chart are based on test data and empirical analysis. Appropriate derating factors must be included for cases of obstructed air flow such as covers and guards, as well as appropriate margins of safety to account for other uncertainties.

SPECIFICATIONS

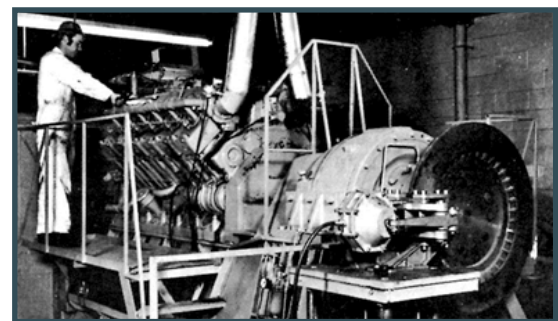
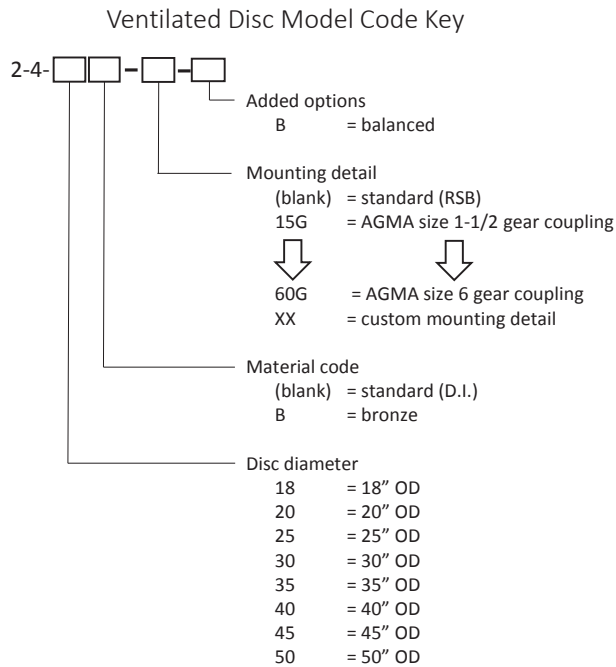


PART NO.	OD in [mm]	DIA 'B' in [mm]	RSB in [mm]	DIA 'D' in [mm]	MAX SPEED	INERTIA lbs-ft ² [kg-m ²]	WEIGHT lbs [kg]
2-4-18	18.13 [461]	7.75 [197]	2.32 [58.9]	7.75 [196.9]	3070 rpm	24 [1.0]	73.6 [33.4]
2-4-20	20.15 [512]	8.5 [216]	4.00 [101.6]	9.75 [247.7]	2750 rpm	35 [1.5]	86.9 [39.4]
2-4-25	25.25 [641]	14.0 [356]	3.50 [88.9]	9.75 [247.7]	2200 rpm	75 [3.2]	124 [56.1]
2-4-30	30.25 [768]	19.3 [490]	4.50 [114]	13.00 [330.2]	1800 rpm	167 [7.0]	189 [85.7]
2-4-35	35.15 [893]	24.0 [610]	5.50 [140]	13.75 [349.3]	1550 rpm	287 [12.1]	242 [110]
2-4-40	40.31 [1024]	29.3 [744]	6.00 [152]	15.00 [381.0]	1350 rpm	467 [19.7]	302 [137]
2-4-45	45.19 [1148]	33.7 [856]	8.25 [209]	15.75 [400.0]	1200 rpm	677 [28.5]	352 [160]
2-4-50	50.25 [1276]	39 [991]	10.25 [260]	19.50 [495.3]	1070 rpm	1076 [45.4]	446 [202]

Maximum Temperature: 700°F [371°C]

COUPLING FIT TABLE

PART NO.	1010G	1015G	1020G	1025G	1030G	1035G	1040G	1045G	1050G	1055G	1060G
2-4-18	✓	✓	✓	✗	✗	✗	✗	✗	✗	✗	✗
2-4-20	✗	✓	✓	✓	✗	✗	✗	✗	✗	✗	✗
2-4-25	✗	✓	✓	✓	✓	✓	-	-	✗	✗	✗
2-4-30	✗	✗	✓	✓	✓	✓	✓	-	-	-	-
2-4-35	✗	✗	✗	✓	✓	✓	✓	-	-	-	-
2-4-40	✗	✗	✗	✗	✓	✓	✓	✓	-	-	-
2-4-45	✗	✗	✗	✗	✗	✗	✓	✓	✓	-	-
2-4-50	✗	✗	✗	✗	✗	✗	✗	✓	✓	✓	✓



Kobelt founder conducting dynamometer testing.